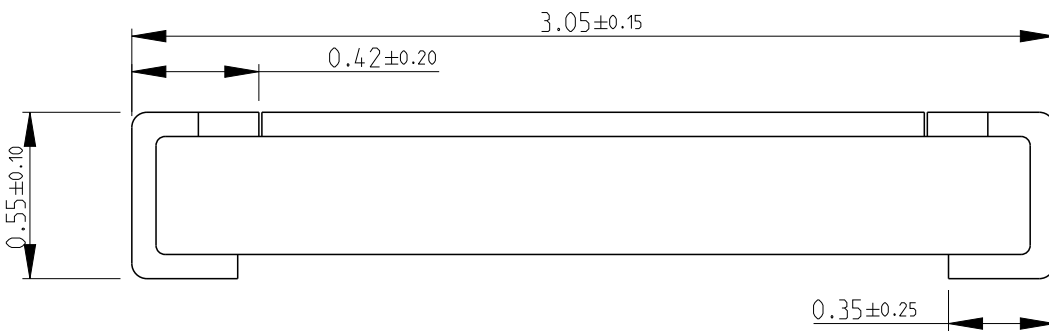


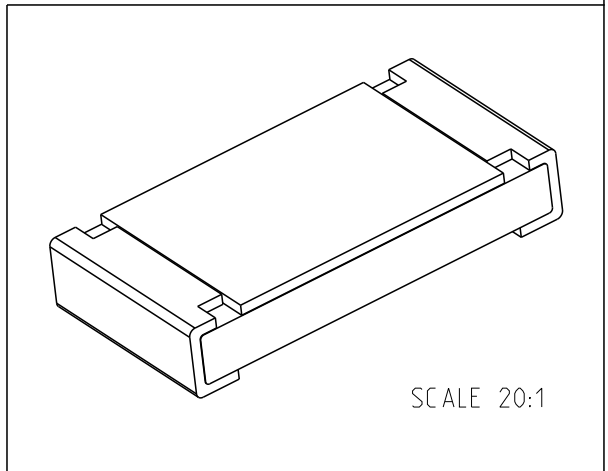
| REVISIONS | | | | | |
|-----------|-----|---------------|-----------|-----|------|
| P | LTR | DESCRIPTION | DATE | DWN | APVD |
| | A | NEW DRAWING | 21MAY2018 | GCM | AP |
| | B | ECR-20-007406 | 28MAY2020 | SR | AP |
| | | | | | |
| | | | | | |



NOTES:


- FOR FURTHER INFORMATION SEE DATA SHEET FOR RQ73 SERIES AEC-Q200 THIN FILM PRECISION RESISTORS.

RoHS Compliant

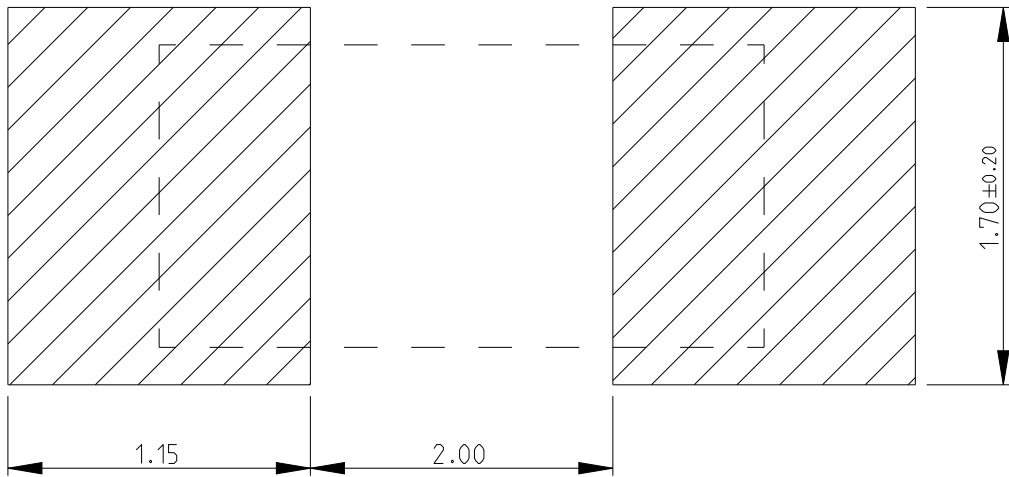


SCALE 20:1

© 2020 TE Connectivity. All Rights Reserved.


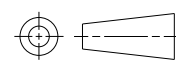
| | | | | | | | | | | |
|----------------------------------------|----------------------------------------------------------------------------|--------------|------------------------------------------------------------------------------------------------------|-------|-----------|------------|---------------|--------------------------------------------------------------------------------|-----|---|
| DIMENSIONS: mm | DWN GANESH C M | 21MAY2018 | MATERIAL | - | FINISH | - | | | | |
| | CHK ALLAN.P | 21MAY2018 |  TE Connectivity | | | | | | | |
| TOLERANCES UNLESS OTHERWISE SPECIFIED: | APVD ALLAN.P | 21MAY2018 | | | | | NAME | SMD Thin Film Precision Resistors - AEC-Q200 Compliant - Type RQ73 1206 Series | | |
| | 0 PLC ±0.5 1 PLC ±0.2 2 PLC ±0.1 3 PLC ± 4 PLC ± ANGLES ±5° | PRODUCT SPEC | - | SIZE | CAGE CODE | DRAWING NO | RESTRICTED TO | | | |
| | APPLICATION SPEC | - | A 4 | 00779 | C=2176386 | | | | | |
| | WEIGHT | - | CUSTOMER DRAWING | | SCALE | 40:1 | SHEET | 1 OF 2 | REV | B |

| REVISIONS | | | | | |
|-----------|-----|-------------|------|-----|------|
| P | LTR | DESCRIPTION | DATE | DWN | APVD |
| - | | SEE SHEET 1 | - | - | - |
| | | | | | |
| | | | | | |



RECOMMENDED LAND PATTERN

© 2020 TE Connectivity. All Rights Reserved.

| | | | | | | | |
|-------------------------------------------------------------------------------------|--|-------------------|-----------|------------------------------------------------------------------------------------------------------|-----------|------------|---------------|
| DIMENSIONS: mm | | DWN GANESH C M | 21MAY2018 | MATERIAL | - | FINISH | - |
| TOLERANCES UNLESS OTHERWISE SPECIFIED: | | CHK ALLAN.P | 21MAY2018 |  TE Connectivity | | | |
| | | APVD ALLAN.P | 21MAY2018 | | | | |
| 0 PLC ±0.5 | | PRODUCT SPEC | | NAME SMD Thin Film Precision Resistors - AEC-Q200 Compliant - Type RQ73 1206 Series | | | |
| 1 PLC ±0.2 | | - | | | | | |
| 2 PLC ±0.1 | | APPLICATION SPEC | | SIZE | CAGE CODE | DRAWING NO | RESTRICTED TO |
| 3 PLC ± | | - | | A 4 | 00779 | C=2176386 | |
| 4 PLC ± | | WEIGHT | | | | | |
| ANGLES 45° | | - | | | | | |
|  | | CUSTOMER DRAWING | | SCALE | NTS | SHEET | 2 OF 2 |
| | | | | | | REV | B |