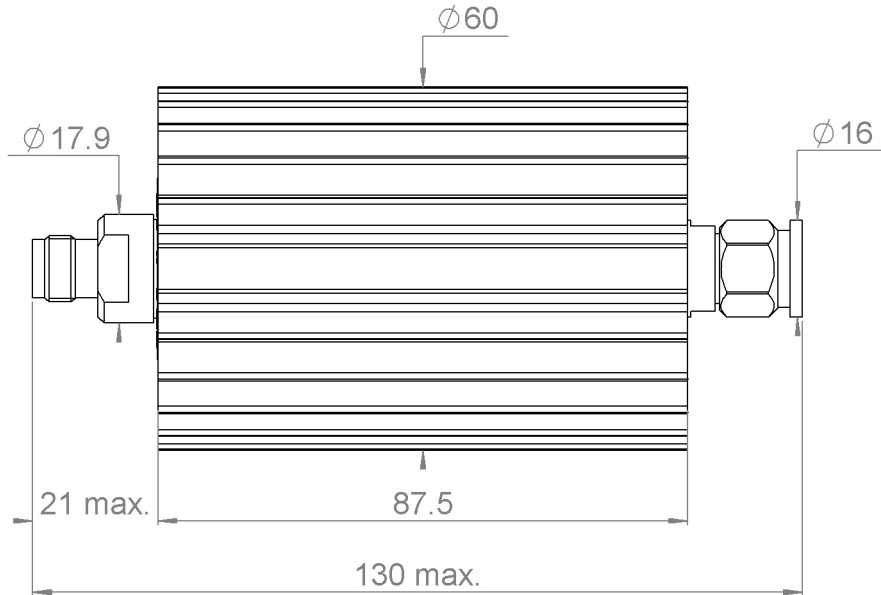
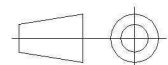


|          |                 |                      |                        |
|----------|-----------------|----------------------|------------------------|
| PAGE 1/2 | ISSUE 20-05-20A | SERIES<br>ATTENUATOR | PART NUMBER R422110020 |
|----------|-----------------|----------------------|------------------------|



All dimensions are in mm. Tolerances according ISO 2768 m-H



| COMPONENTS            | MATERIALS                | PLATING ( $\mu\text{m}$ )                |
|-----------------------|--------------------------|--|
| Body                  | <b>STAINLESS STEEL</b>   | <b>PASSIVATED.</b>                       |
| Male center contact   | <b>BERYLLIUM COPPER</b>  | <b>GOLD 0.5 OVER NICKEL PHOSPHORUS 2</b> |
| Female center contact | <b>BERYLLIUM COPPER</b>  | <b>GOLD 0.5 OVER NICKEL PHOSPHORUS 2</b> |
| Outer contact         |                          |  |
| Insulator             | <b>PTFE</b>              |  |
| Gasket                | <b>SILICONE RUBBER</b>   |  |
| Substrate             | <b>ALUMINIUM NITRIDE</b> |  |
| Resistor              | <b>THICK FILM</b>        |  |
| Others parts          | <b>ALUMINIUM</b>         | <b>BLACK ANODIZATION</b>                 |

|          |                        |                             |                               |
|----------|------------------------|-----------------------------|-------------------------------|
| PAGE 2/2 | ISSUE <b>20-05-20A</b> | SERIES<br><b>ATTENUATOR</b> | PART NUMBER <b>R422110020</b> |
|----------|------------------------|-----------------------------|-------------------------------|

**ELECTRICAL CHARACTERISTICS**

|                      |               |
|----------------------|---------------|
| Frequency (GHz)      | <b>DC - 6</b> |
| V.S.W.R ( $\leq$ )   | <b>1.25</b>   |
| Deviation( $\pm$ dB) | <b>0.75</b>   |

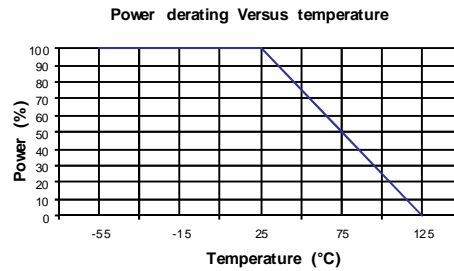
|                                    |               |                       |
|------------------------------------|---------------|-----------------------|
| Operating Frequency Range          | <b>DC - 6</b> | GHz                   |
| Impedance                          | <b>50</b>     | $\Omega$              |
| Nominal Attenuation                | <b>10</b>     | dB                    |
| Peak power at 25°C (1 $\mu$ s, 1%) | <b>2000</b>   | W                     |
| Average power at 25°C              | <b>50</b>     | W (Free Air Cooled)   |
|                                    |               | W (Conduction Cooled) |

**MECHANICAL CHARACTERISTICS**

|            |            |                    |                   |
|------------|------------|--------------------|-------------------|
| Connectors | <b>TNC</b> | <b>Male Female</b> | <b>MIL C39012</b> |
| Weight     | <b>481</b> | g                  |                   |

**ENVIRONMENTAL CHARACTERISTICS**

|                             |                 |    |
|-----------------------------|-----------------|----|
| Operating temperature range | <b>-55/+125</b> | °C |
| Storage temperature range   | <b>-55/+125</b> | °C |



**SPECIFICATION**

**OTHER CHARACTERISTICS**