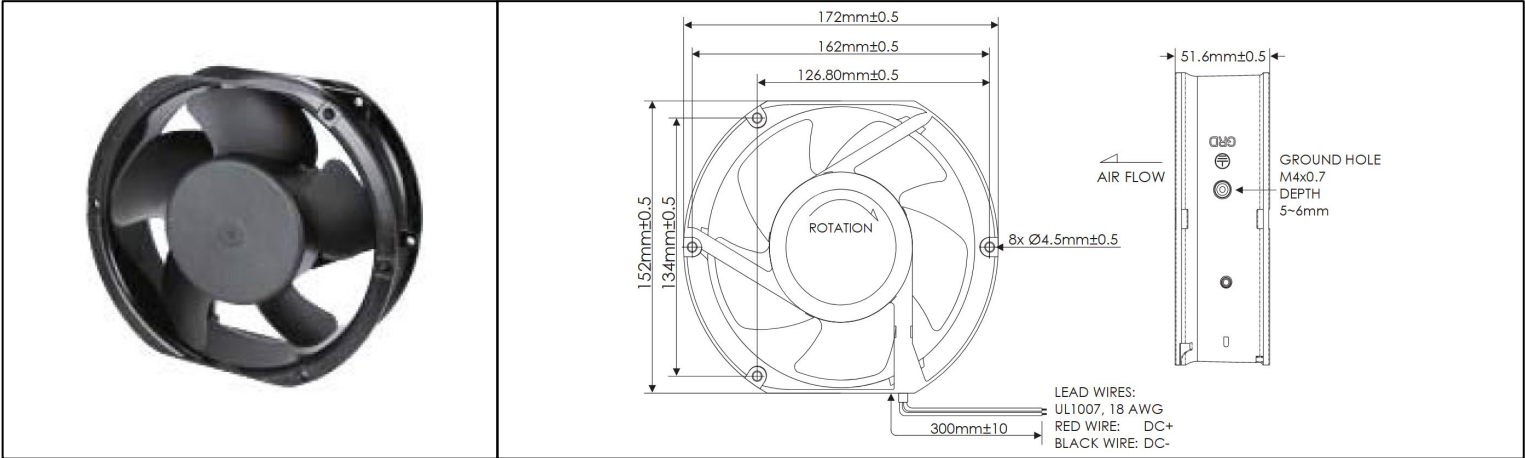


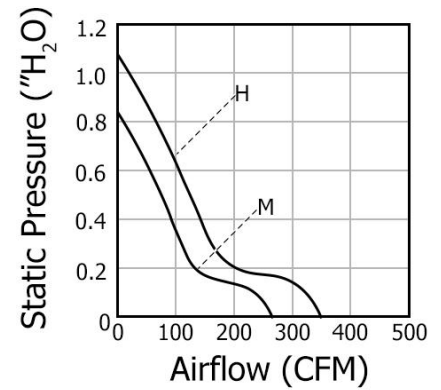
# OD172SAP XC IP Series



DC Fans - 12, 24, 48V  
172mm x 151mm x 51mm (6.8"x5.9"x2.0")



<b>Frame</b>	Die Cast Aluminum, Black Finish	<b>Operating Temperature</b> -20°C ~ +65°C  <b>Storage Temperature</b> -20°C ~ +75°C  <b>Life Expectancy</b> 90,000 Hours (L10 at 35°C)  <b>Available Options</b> PWM Speed Control Input Tachometer Output Alarm Output Other Speeds  Weight: 1.3 lbs
<b>Impeller</b>	PBT, UL94 V-0 Plastic	
<b>Connection</b>	2x Lead Wires, 18 AWG	
<b>Motor</b>	Brushless DC, Auto Cutoff, Auto Restart, Polarity Protected, Electronically Protected, IP68 or IP69K	
<b>Bearing System</b>	Ball Bearings	
<b>Dielectric Strength</b>	500VDC/min, <1mA	
<b>Insulation Resistance</b>	≥10MΩ @ 500V DC	



Part Number	Rated Voltage (Volts DC)	Voltage Range (Volts DC)	Rated Power (Watts)(Max)	Rated Current (Amps)(Max)	Rated Speed (RPM)	Max Airflow (CFM)	Noise Level (dBA)	Max Static Pressure ("H <sub>2</sub> O)
OD172SAP-12MBXCIP***	12	11 ~ 13.8	13.2 (19.2)	1.1 (1.6)	3500	263	57.3	0.82
OD172SAP-24HBXCIP***	24	22 ~ 26.0	33.6 (50.4)	1.4 (2.1)	4400	323	63.5	1.06
OD172SAP-48HBXCIP***	48	40 ~ 52.0	35.0 (49.4)	0.73 (1.03)	4400	323	63.5	1.06

\*\*\* Insert "68" for IP68 rating, or "69K" for IP69K rating.