

## SUMMARY



Image is for illustrative purpose only

### # Wires

Low voltage 19

Series	2W
Termination type	Male solder
IP rating	68
AWG wire size	24.00 - 24.00
Cable Ø	7.10 - 7.50 mm
Status	active
Matching parts	<a href="#">EVG.2W.319.CLN</a>

### Download

[Request a quote](#)

[Catalog](#)

## TECHNICAL DETAILS

### Mechanics

Shell Style/Model	FV*: Straight plug, cable collet
Keying	1 key (alpha=0; Plug: male contacts; Receptacle: female contacts)
Housing Material	Brass (chrome plated [SAE AMS 2460]) shell and collet nut, nickel plated [SAE AMS QQ N 290] brass latch sleeve and mid pieces
Weight	53.43 g

### Performance

Configuration	2W.319 : 19 Low Voltage
Insulator	
Rated Current	5 Amps

### Specifications

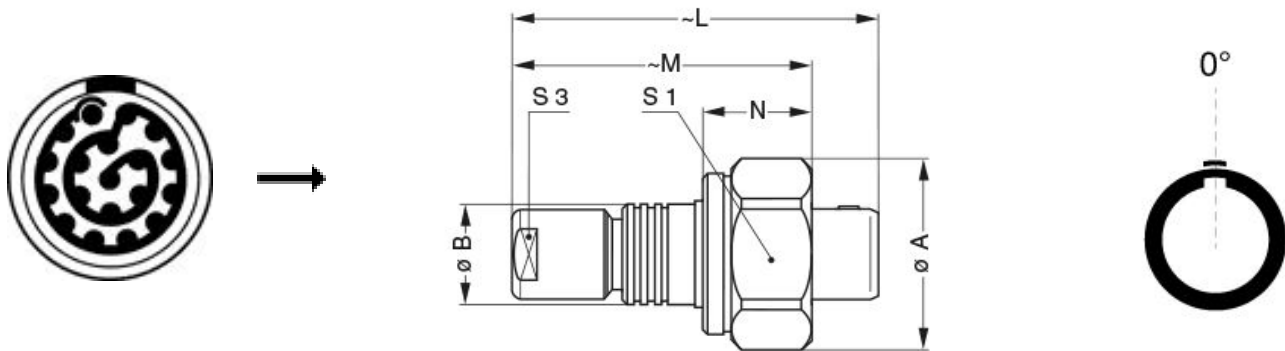
Contact Type:	Solder
Contact Dia.:	0.7 mm (0.028in)
Bucket Dia.:	0.8 mm (0.031in)
Max. Stranded Conductor:	0.34 mm <sup>2</sup> (AWG 22)
Max. Conductor:	0.34 mm <sup>2</sup> (AWG 22)
R (max):	6.1 mOhm
Vtest (contact-contact):	950 V (AC) 1300 V (DC)
Vtest (contact-shell):	1250 V (AC) 1800 V (DC)

LEMO products and services are provided "as is". LEMO makes no warranties or representations with regard to LEMO product & services or use of them, express, implied or statutory, including for accuracy, completeness, or security. The user is fully responsible for his products and applications using LEMO components.

## Others

Endurance (Shell): 1000 mating cycles  
Temp (min / max): -20°C / +200°C  
Humidity (max): <=95% [at 60 deg C / 140 F]  
Climatical Category: 20/200/21  
Shielding (min): 95 dB (10 MHz)  
Shielding (min): 80 dB (1 GHz)  
Salt Spray Corrosion: >1000 hr  
Pressure: 30 bars

## DRAWINGS



## Dimensions

	A	B	L	M	N	S1	S3
mm.	23.5	14.0	52.5	43.0	15.5	22	12
in.	0,93	0,55	2,07	1,69	0,61	0,87	0,47

## RECOMMENDED BY LEMO

## Tools

LEMO products and services are provided "as is". LEMO makes no warranties or representations with regard to LEMO product & services or use of them, express, implied or statutory, including for accuracy, completeness, or security. The user is fully responsible for his products and applications using LEMO components.

## Cables

*LEMO products and services are provided "as is". LEMO makes no warranties or representations with regard to LEMO product & services or use of them, express, implied or statutory, including for accuracy, completeness, or security. The user is fully responsible for his products and applications using LEMO components.*