



ET-2260

Ethernet I/O Module with 6-ch Relay, 6-ch DI

Features

- Built-in Web Server
- Support Modbus TCP/UDP Protocols
- Powerful 32-bit MCU Handles Efficient Network Traffic
- 2-port Ethernet Switch (LAN Bypass) for Daisy-Chain Wiring
- Dual Watchdog
- I/O Pair Connection (Push and Polling)
- Easy Firmware Update via Ethernet
- LED Display to Indicate the I/O status
- Wide Operating Temperature Range: -25 ~ +75°C
- Built-in I/O
 - DI/Counter: 6 Channels
 - Power Relay: 6 Channels



Introduction

The ET-2260 provides 6 wet contact Digital Input channels and 6 Form A electromechanical Relays. With 2 Ethernet ports, the ET-2260 allows daisy chain connection which permits the flexibility in locating devices, eases installation and lowers infrastructure costs. It features 8 kV ESD protection, 4 kV EFT protection, 3 kV surge and 3000 VDC I/O isolation to enhance noise protection capabilities in industrial environments. Each input channel can be used as a 32-bit counter. The power-on value and safe value of relay are configurable.

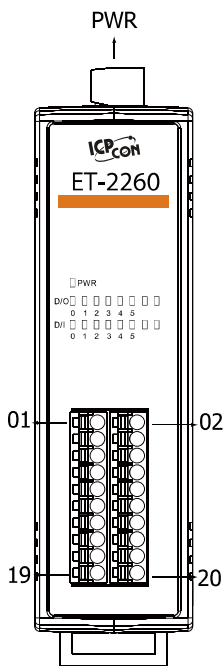
System Specifications

| System | |
|-----------------------------|---|
| CPU | 32-bit ARM |
| Communication | |
| Ethernet Port | 2 x RJ-45, 10/100 Base-TX, Switch Ports |
| Protocol | Modbus TCP, Modbus UDP |
| Security | Password and IP Filter |
| I/O Pair Connection | Yes (Push, Polling) |
| Dual Watchdog | Yes, Module, Communication (Configurable) |
| LAN Bypass | Yes |
| LED Indicators | |
| System Running | Yes |
| Ethernet Link/Act | Yes |
| DI/DO status | Yes |
| 2-Way Isolation | |
| Ethernet | 1500 Vdc |
| I/O | 3000 Vdc |
| EMS Protection | |
| ESD (IEC 61000-4-2) | ±8 kV Contact for Each Terminal and ±16 kV Air for Random Point |
| EFT (IEC 61000-4-4) | ±4 kV for Power Line |
| Surge (IEC 61000-4-5) | ±3 kV for Power Line |
| Power | |
| Reverse Polarity Protection | Yes |
| Powered from Terminal Block | +10 ~ +30 VDC |
| Consumption | 3.3 W (Max.) |
| Mechanical | |
| Dimensions (L x W x H) | 127 mm x 33 mm x 99 mm |
| Installation | DIN-Rail Mounting |
| Environment | |
| Operating Temperature | -25 ~ +75°C |
| Storage Temperature | -30 ~ +80°C |
| Humidity | 10 ~ 90% RH, Non-condensing |

I/O Specifications

| Digital Input/Counter | | |
|------------------------|--|--------------------------------|
| Channels | 6 | |
| Contact | Wet Contact | |
| Sink/Source (NPN/PNP) | Sink/Source | |
| On Voltage Level | +5 Vdc ~ +50 VDC | |
| Off Voltage Level | +3.5 VDC Max. | |
| Input Impedance | 7.5 kΩ | |
| Counters | Max. Count | 4,294,967,295 (32 bits) |
| | Max. Input Frequency | 3 kHz |
| | Programmable Digital Filter | 1 ~ 6500 ms (0.08 Hz ~ 500 Hz) |
| Overvoltage Protection | +70 VDC | |
| Power Relay | | |
| Channels | 6 | |
| Type | Power Relay, Form A (SPST N.O.) | |
| Contact Rating | 5 A @ 250 VAC/24 Vdc (Resistive Load) | |
| Min. Contact Load | 10 mA @ 5 V | |
| Operate Time | 10 ms (max.) | |
| Release Time | 5 ms (max.) | |
| Mechanical Endurance | 2 × 10 ⁷ ops. | |
| Electrical Endurance | 10 ⁵ ops. | |
| Power-on Value | Yes, Configurable | |
| Safe Value | Yes, Configurable | |

Pin Assignments



| Terminal No. | Pin Assignment |
|--------------|----------------|
| PWR | F.G. |
| PWR | GND |
| | + Vs |
| ETH1 | |
| ETH2 | |

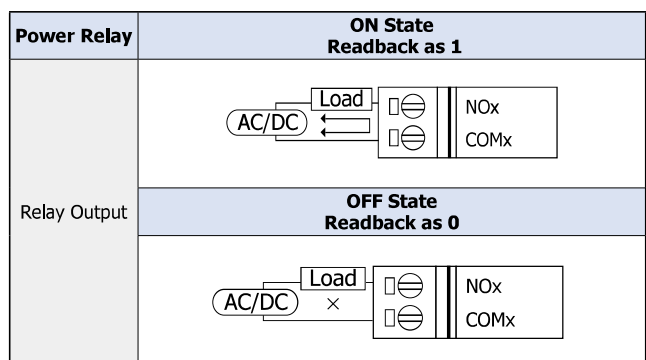
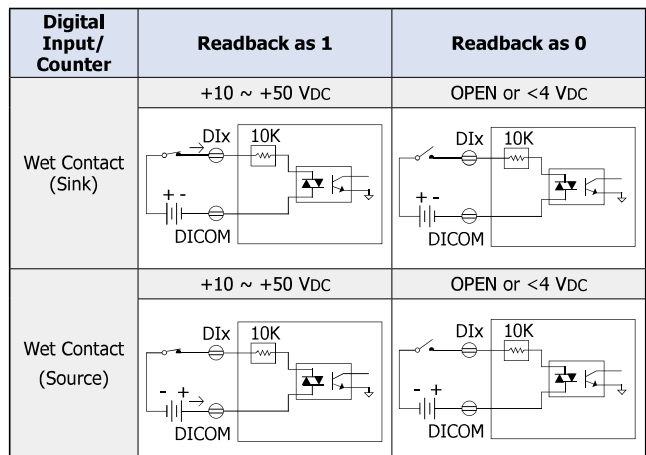
| Pin Assignment | Terminal | No. | Pin Assignment |
|----------------|----------|-----|----------------|
| NO0 | 01 | 02 | GND |
| COM0 | 03 | 04 | DI0 |
| NO1 | 05 | 06 | DI1 |
| COM1 | 07 | 08 | DI2 |
| NO2 | 09 | 10 | DI3 |
| COM2 | 11 | 12 | DI4 |
| NO3 | 13 | 14 | DI5 |
| COM3 | 15 | 16 | DICOM |
| NO4 | 17 | 18 | NO5 |
| COM4 | 19 | 20 | COM5 |

20-pin Connector

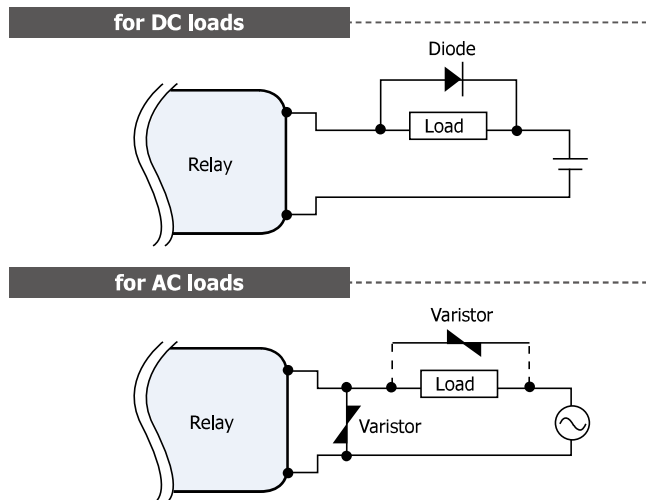
Related Products

| | | |
|--|--------------|--|
| | NS-205 CR | Unmanaged 5-Port Industrial Ethernet Switch with Power Input +10 ~ +30 Vdc (RoHS) |
| | NS-208 CR | Unmanaged 8-port Industrial 10/100 Base-TX Ethernet Switch with Power Input +10 ~ +30 Vdc (RoHS) |
| | DIN-KA52F CR | 24 V/1.04 A, 25 W Power Supply with DIN-Rail Mounting (RoHS) |
| | GPSU06U-6 | 24 V/0.25 A (max.) Power Supply |

Wire Connections



Note: When inductive loads are connected to the relays, a large counter electromotive force may occur when the relay actuates because of the energy stored in the load. These flyback voltages can severely damage the relay contacts and greatly shorten the relay life. Limit these flyback voltages at your inductive load by installing a flyback diode for DC loads or a metal oxide varistor for AC loads.



Ordering Information

| | |
|-------------------|---|
| ET-2260 CR | Ethernet I/O Module with 2-port Ethernet Switch, 6-ch Relay Output and 6-ch DI (RoHS) |
|-------------------|---|