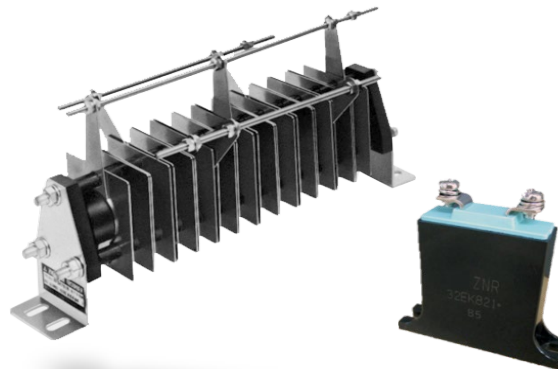


Varistors (ZNR Surge Absorber) For thyristor protection

E type

J type



Varistors (ZNR Surge Absorber) for thyristors is especially designed to protect Thyristor power controllers and Thyristor power sources from high energy transient over voltages.

The ZNR is smaller in size and excellent in the clamping voltage characteristics as compared with a conventional selenium surge absorber.

Type E is for relatively low handling capacity of trans-former and Type J is for heavy duty use.

Features

- RoHS compliant

Recommended applications

- Surge protection of thyristor power controllers
- Surge protection of thyristor power sources

Note : Ask our factory for product specification before use.

■ As for handling precautions and minimum quantity / Packing unit please see related information.

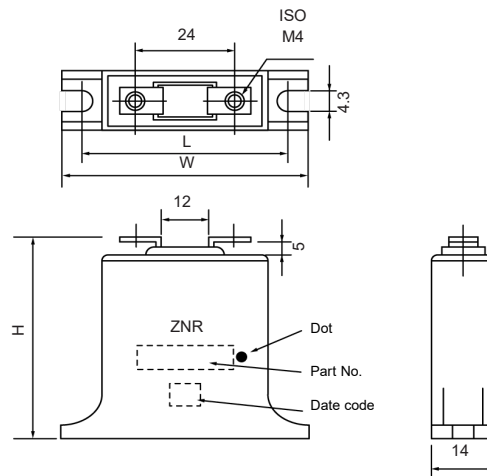
Ratings and characteristics (E type)

● Operating temperature range : -40 to 85 °C

● Storage temperature range : -40 to 110 °C

Part No.	Varistor voltage at 1 mA	Maximum allowable voltage		Maximum clamping voltage		Impulse life (2 ms, 10 ⁴ times) (A)	Commutation surge ratio
	(V)	ACrms(V)	DC (V)	V _{ip} (V)	I _p (A)		
ERZC20EK511P	498 to 542	242	342	760	10	10	1.45
ERZC20EK541P	523 to 560	264	373	785			1.40
ERZC20EK681P	630 to 678	330	467	950			1.35
ERZC20EK821P	788 to 848	412	583	1185			1.35
ERZC20EK911P	840 to 904	440	622	1265			1.35
ERZC20EK102P	945 to 1017	495	700	1425			1.35
ERZC20EK112P	1051 to 1181	550	775	1655			1.35
ERZC32EK511P	498 to 542	242	342	760			20
ERZC32EK541P	523 to 560	264	373	785	1.40		
ERZC32EK681P	630 to 678	330	467	950	1.35		
ERZC32EK821P	788 to 848	412	583	1185	1.35		
ERZC32EK911P	840 to 904	440	622	1265	1.35		
ERZC32EK102P	945 to 1017	495	700	1425	1.35		
ERZC32EK112P	1051 to 1181	550	775	1655	1.35		

Dimensions in mm (not to scale) (E type)



Unit : mm

Part No.	W	H	L
ERZC20EK□□□P	48±1	42±1	39±1
ERZC32EK□□□P	60±1	55±1	51±1

Ratings and characteristics (J type)

● Operating temperature range : -40 to 70 °C

● Storage temperature range : -40 to 110 °C

Part No.	Connection	Maximum allowable voltage		Maximum clamping voltage		Impulse life (2 ms, 10 ⁴ times) (A)	Commutation surge ratio	Dimensions in mm			
		ACrms (V)	DC (V)	V _{ip} (V)	I _p (A)			Style	A	B	C
ERZU11JP511	Single	242	342	760	40	40	1.45	(1)	88	108	20
ERZU12JP511					70	70			104	124	
ERZU13JP511					95	95			121	141	
ERZU14JP511					125	125			138	158	
ERZU15JP511					150	150			155	175	
ERZU16JP511					180	180			172	192	
ERZU17JP511					210	210			189	209	
ERZU11JP511B	Delta	242	—	760	40	40	1.45	(2)	120	140	20
ERZU12JP511B					70	70			169	189	
ERZU13JP511B					95	95			219	239	
ERZU14JP511B					125	125			260	280	
ERZU11JP541	Single	264	373	785	40	40	1.40	(1)	88	108	20
ERZU12JP541					70	70			105	125	
ERZU13JP541					95	95			122	142	
ERZU14JP541					125	125			139	159	
ERZU15JP541					150	150			156	176	
ERZU16JP541					180	180			172	192	
ERZU17JP541					210	210			189	209	
ERZU11JP541B	Delta	264	—	785	40	40	1.40	(2)	121	141	20
ERZU12JP541B					70	70			171	191	
ERZU13JP541B					95	95			221	241	
ERZU14JP541B					125	125			270	290	

Ratings and characteristics (J type)

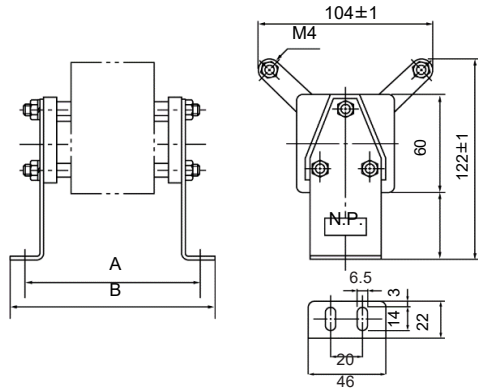
● Operating temperature range : -40 to 70 °C

● Storage temperature range : -40 to 110 °C

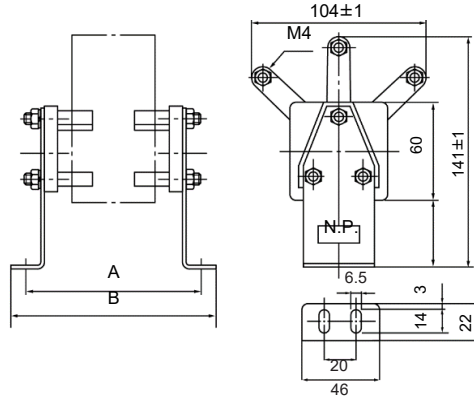
Part No.	Connection	Maximum allowable voltage		Maximum clamping voltage		Impulse life (2 ms, 10 ⁴ times) (A)	Commutation surge ratio	Dimensions in mm				
		ACrms (V)	DC (V)	V _{ip} (V)	I _p (A)			Style	A	B	C	
ERZU21JP102	Single	484	684	1520	40	40	1.45	(1)		102	122	20
ERZU22JP102					70	70				135	155	
ERZU23JP102					95	95				168	188	
ERZU24JP102					125	125				199	219	
ERZU25JP102					150	150				230	250	
ERZU26JP102					180	180				261	281	
ERZU21JP102B	Delta	484	—	1520	40	40	1.45	(2)		166	186	20
ERZU22JP102B					70	70				261	281	
ERZU21JP112	Single	528	746	1570	40	40	1.40	(1)		103	123	20
ERZU22JP112					70	70				136	156	
ERZU23JP112					95	95				169	189	
ERZU24JP112					125	125				200	220	
ERZU25JP112					150	150				232	252	
ERZU26JP112					180	180				264	284	
ERZU21JP112B	Delta	528	—	1570	40	40	1.40	(2)		168	188	20
ERZU22JP112B					70	70				264	284	
ERZU21JP132F	Single	660	933	1900	40	40	1.35	(1)		149	169	40
ERZU22JP132F					70	70				182	202	
ERZU23JP132F					95	95				214	234	
ERZU24JP132F					125	125				246	266	
ERZU25JP132F					150	150				278	298	
ERZU26JP132F					180	180				310	330	
ERZU21JP132H	Delta	660	—	1900	40	40	1.35	(2)		213	233	40
ERZU22JP132H					70	70				309	329	
ERZU21JP162F	Single	825	1167	2375	40	40	1.35	(1)		150	170	40
ERZU22JP162F					70	70				184	204	
ERZU23JP162F					95	95				218	238	
ERZU24JP162F					125	125				252	272	
ERZU25JP162F					150	150				286	306	
ERZU26JP162F					180	180				320	340	
ERZU21JP162H	Delta	825	—	2375	40	40	1.35	(2)		217	237	40
ERZU22JP162H					70	70				317	337	
ERZU21JP192F	Single	990	1400	2850	40	40	1.35	(1)		152	172	40
ERZU22JP192F					70	70				187	207	
ERZU23JP192F					95	95				222	242	
ERZU24JP192F					125	125				257	277	
ERZU25JP192F					150	150				292	312	
ERZU26JP192F					180	180				327	347	
ERZU21JP192H	Delta	990	—	2850	40	40	1.35	(2)		222	242	40
ERZU22JP192H					70	70				327	347	
ERZU21JP222F	Single	1100	1550	3325	40	40	1.35	(1)		154	174	40
ERZU22JP222F					70	70				190	210	
ERZU23JP222F					95	95				227	247	
ERZU24JP222F					125	125				264	284	
ERZU21JP222H	Delta	1100	—	3325	40	40	1.35	(2)		227	247	40
ERZU31JP252F	Single	1320	1867	3800	40	40	1.35	(1)		167	187	40
ERZU32JP252F					70	70				218	238	
ERZU33JP252F					95	95				269	289	
ERZU34JP252F					125	125				320	340	
ERZU31JP252H	Delta	1320	—	3800	40	40	1.35	(2)		266	288	40

Dimensions in mm (not to scale) (J type)

Style (1)



Style (2)



Unit : mm

Minimum quantity / Packing unit

Product	Series / Type		Part number	Minimum quantity / Packing unit	Packing quantity in carton	Carton (about) L×W×H (mm)
"ZNR" Transient/surge absorbers	For thyristor protection	E type	ERZC□□EK□□□P	5	100	300×355×65
		J type	ERZU□□JP□□□	1	—	160×420×185

Part No., quantity and country of origin are designated on outer packages in English.
 ※ Please contact local sales office about packing specifications.

Guidelines and precautions regarding the technical information and use of our products described in this online catalog.

- If you want to use our products described in this online catalog for applications requiring special qualities or reliability, or for applications where the failure or malfunction of the products may directly jeopardize human life or potentially cause personal injury (e.g. aircraft and aerospace equipment, traffic and transportation equipment, combustion equipment, medical equipment, accident prevention, anti-crime equipment, and/or safety equipment), it is necessary to verify whether the specifications of our products fit to such applications. Please ensure that you will ask and check with our inquiry desk as to whether the specifications of our products fit to such applications use before you use our products.
- The quality and performance of our products as described in this online catalog only apply to our products when used in isolation. Therefore, please ensure you evaluate and verify our products under the specific circumstances in which our products are assembled in your own products and in which our products will actually be used.
- Please ensure the safety by means of protection circuit, redundant circuit etc. in your system design in order to prevent the occurrence of life crisis and other serious damages due to the failure of our products.
- The products and product specifications described in this online catalog are subject to change for improvement without prior notice. Therefore, please be sure to request and confirm the latest product specifications which explain the specifications of our products in detail, before you finalize the design of your applications, purchase, or use our products.
- The technical information in this online catalog provides examples of our products' typical operations and application circuits. We do not guarantee the non-infringement of third party's intellectual property rights and we do not grant any license, right, or interest in our intellectual property.
- If any of our products, product specifications and/or technical information in this catalog is to be exported, the laws and regulations of the exporting country, especially with regard to security and export control, shall be observed.

<Regarding the Certificate of Compliance with the EU RoHS Directive/REACH Regulations>

- The switchover date for compliance with the RoHS Directive/REACH Regulations varies depending on the part number or series of our products.
- When you use the inventory of our products for which it is unclear whether those products are compliant with the RoHS Directive/REACH Regulation, please select "Sales Inquiry" in the website inquiry form and contact us.

Please note that we do not owe any liability and responsibility if our products are used beyond the description of this catalog or without complying with precautions in this catalog.



Handling Precautions (P, J, G type)
(Surge absorber units)
(For thyristor protection E, J type)

1. Safety precautions

In case that a Varistors (ZNR Surge Absorber) (hereafter referred to as the ZNR, or product name) is used, if an abnormality takes place because of peripheral conditions of the ZNR(material, environments, power source conditions, circuit conditions, etc. in equipment design), fire, electric shock, burn, or product failure may be occur. The precautions for this product are described below, understand the content thoroughly before usage. For more questions, contact us.

If there's any uncertainty/doubt/products safety items, please contact us. When a dogma shall be occurred about safety for this products, be sure to inform us rapidly, operate your technical examination.

2. Precautions to be strictly observed

2.1 Confirmation of performance ratings

Use the ZNR within its rated range of performance such as the Max. allowable voltage, withstanding surge current, withstanding energy, impulse life(surge life), average pulse power, and operating temperature range. If used outside the range, the ZNR can be degrade and have element fracture, which may result in smoking and ignition.

2.2 To avoid accidents due to unexpected phenomena, take the following measures

- Across-the-line use
 - (1) When the ZNR is used across a line, put a current fuse in series with the ZNR .
 - (2) ZNR Surge Absorbers Type P has a built-in thermal fuse, however, since the breaking capacity is low (0.3A), put a current fuse in series with ZNR.
- Use between line to ground
 - (1) If the case that the ZNR is used between a line to the ground, the short-circuit of the ZNR may not blow the current fuse because of grounding resistance, which may cause smoking and ignition of the ZNR's exterior resin.
As the measure against it, install an earth leakage breaker on the power supply side of the ZNR position. If no earth leakage breaker is installed, use a thermal fuse together wth a current fuse in series.
 - (2) If the case that the ZNR is used between a live part to metal case, an electric shock may develop at a shortcircuit of the ZNR ; hence, ground the metal case to the ground or keep it from the human body.
- In the event of fracture of the ZNR, its pieces may scatter ; hence, put the case or cover of the set product in place.
- Do not install the ZNR near combustible substances(polyvinyl chloride wires, resin moldings, etc.).
If it is difficult to do, install a nonflammable cover.

2.3 The live part shall be equipped with a protective cover for preventing electric shock.

2.4 If ZNR is shorted out and happen smoke or ignition, please cut provided current to ZNR immediately.

3. Application notes

3.1 Pay attention to the following items to avoid the shortened life and failure of the ZNR

3.1-1 Circuit conditions

- (1) Select a ZNR of which the maximum voltage including fluctuations in source voltage allows for the maximum permissible circuit voltage.
- (2) In cases that surges are intermittently applied at short intervals (for example, in the case that the voltage of the noise simulator test is impressed), do not cause them to exceed the ZNR's rated pulse power.
- (3) ZNR Surge Absorber Units for a power supply, use the specified power distribution system.
- (4) Turn off the breaker (or knife switch) built in ZNR Surge Absorber Units before conducting an insulation resistance test or withstand voltage test on the circuit to which the ZNR Surge Absorber Units is connected. For ZNR Surge Absorber Units that do not have a built-in breaker (or knife switch), remove them from the circuit and test.

3.1-2 Operating environments

- (1) The ZNR is designed and manufactured for application in general purpose electronic devices.
The ZNR shall not be exposed to the weather, except for usage inside unit.
- (2) Do not use the ZNR in places exposed to temperatures beyond the operating temperature range, such as places exposed to sunlight and vicinities of heating equipment.
- (3) Do not use the ZNR in places exposed to high temperatures and high humidity, such as places exposed directly to rain, wind, dew condensation, and vapor.
- (4) Do not use the ZNR in dusty and salinity environment and atmospheres polluted by corrosive gases, in liquids such as water, oil, chemical, organic solvent.

3.1-3 Processing conditions

- (1) Do not wash the ZNR by such solvents(thinner, acetone, etc.) as its exterior resin deteriorates.
- (2) Do not apply a strong vibration or shock (by falling, etc.) to the ZNR, cracking to its exterior resin and element may occur. and element may occur.
- (3) When coating the ZNR with resin(including molding), do not use such resin.
- (4) Do not bend the ZNR lead wires at the position close to its ZNR exterior resin, or apply external force to the position.
- (5) When soldering the ZNR lead wires, follow the recommended condition and do not melt the solder and insulating materials constituting the ZNR.
- (6) Keep the wiring of the ZNR as short and straight as possible.

3.1-4 Long-term storage

- (1) Do not store the ZNR under high temperature and high humidity. Store it indoor environment at a temperature up to 40 °C and at humidity below 75 %RH, and use it within two years.
Before using the ZNR that has been stored for a long period(two years or longer), confirm the solderability.
- (2) Avoid atmospheres full of corrosive gases (hydrogen sulfide, sulfurous acid, chlorine, ammonia, etc.).
- (3) Avoid direct sunlight and dew condensation.

3.1-5 Fall

Do not drop the product on the floor or other surfaces. Do not use a ZNR that has been dropped as it may be mechanically or electrically damaged.

3.1-6 Maintenance inspection

The ZNR replacement period is when the varistor voltage (V1mA) exceeds $\pm 10\%$ from the initial value. Perform regular maintenance and check the varistor voltage.

4. Notices

- In cases that the ZNR is used in equipment (aerospace equipment, medical equipment, etc.) requiring extremely high reliability, ask us for selection of part No., and protection coordination, etc. in advance.
- There is possibility that the ZNR will unexpectedly smoke or ignite because of abnormal rise of the circuit voltage and invasion of excessive surge.
- To prevent that accident from spreading over the equipment and not to expand the damage, use multiplex protection such as the adoption of frame-retardant materials for housing parts and structural parts.
- We shall not be responsible for any failure or abnormality caused by the use of this product that deviates from the contents of this catalog or does not comply with the precautions.
- Package marking includes the product number, quantity, and country of origin. As a rule, country of origin should be indicated in English.

5. Applicable laws and regulations , others

- This product not been manufactured with any ozone depleting chemical controlled under the Montreal Protocol.
- Specified brominated flame retardants (including PBB (polybromobiphenyl) and PBDE (polybromodiphenyl ether)) are not intentionally used in the components of this product.
- This product comply with RoHS(Restriction of the use of certain Hazardous Substance in electrical and electronic equipment) (DIRECTIVE 2011/65/EU and 2015/863/EU).
*Exemption ZNR Surge Absorber Units (Part No. ERZAxxxxxxx)
- All the materials used in this part are registered material under the Law Concerning the Examination and Regulation of Manufacture, etc. of Chemical Substance.
- If you need the notice by letter of "A preliminary judgement on the Laws of Japan foreign exchange and Foreign Trade Control", be sure to let us know.
- These products are not dangerous goods on the transportation as identified by UN(United nations) numbers or UN classification.

6. Others

- As to the disposal of ZNR, check the method of disposal in each country or origin where the ZNR are incorporated in your products to be used.
- The technical information in this specification provides example of our products' typical operations and application circuit. We do not guarantee the non-infringement of third party's intellectual property rights and we do not grant any license, right or interest in our intellectual property.