

CGJ5H4C0G2H682J115AA

TDK Item Description : CGJ5H4C0G2H682JT***

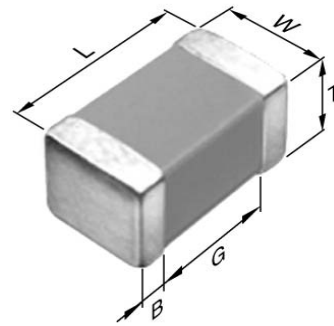


Application & Main Feature

High Reliability Grade (Mid Voltage (100 to 630V))

Series

CGJ5(3216) [EIA CC1206]



Dimensions

L 3.20mm +/-0.2mm
 W 1.60mm +/-0.2mm
 T 1.15mm +/-0.15mm
 B 0.20mm Min.
 G 1.00mm Min.

Temperature Characteristic

C0G (-55 to 125 degC 0+/-30ppm/degC)

Rated Voltage

2H (500Vdc)

Capacitance

6.8nF

Capacitance Tolerance

J (+/-5%)

Q Factor

1000 Min.

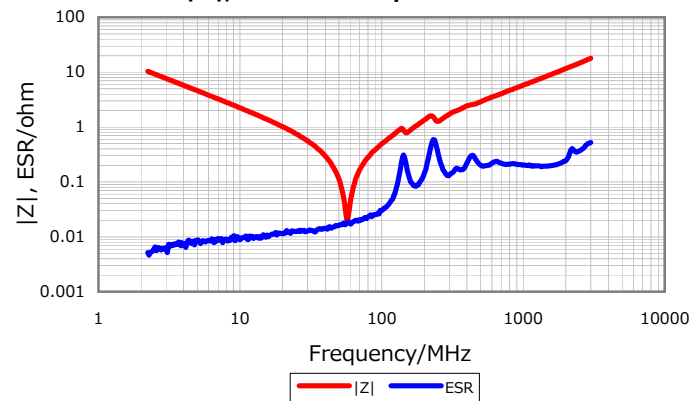
Insulation Resistance

10Gohm Min.

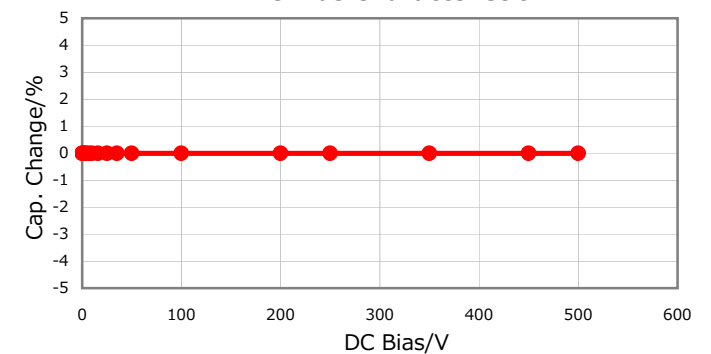
AEC-Q200

Yes

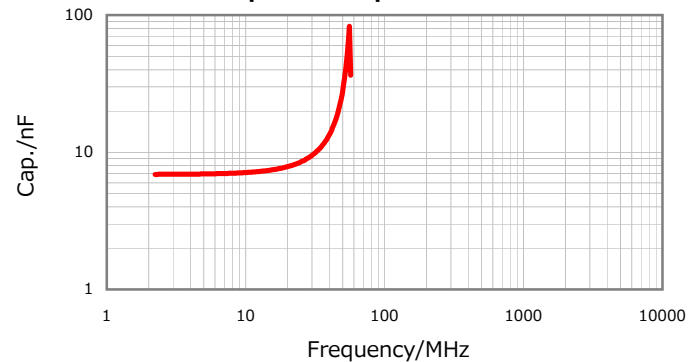
|Z|, ESR vs. Freq. Characteristics



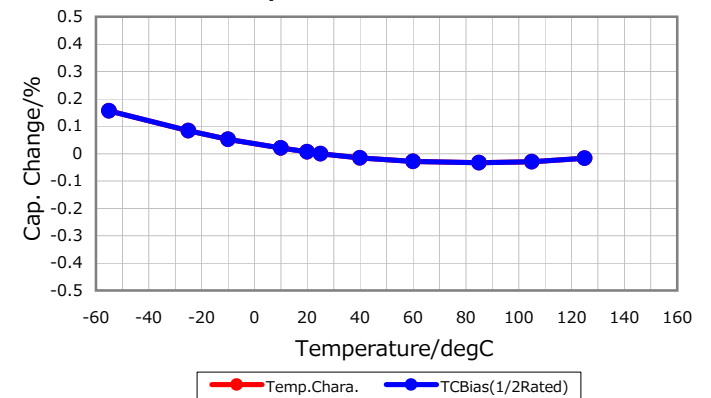
DC Bias Characteristic



Cap. vs. Freq. Characteristic



Temperature Characteristics



Characterization Sheet (Multilayer Ceramic Chip Capacitors)



All specifications are subject to change without notice.

January 4, 2016