



LAYOUT SHOWN AS EXAMPLE

Keying Shown as example

**CHARACTERISTICS**

- Standard : Based on MIL-DTL-38999 Series III
- Shell Material : Aluminium
- Shell Plating : Nickel
- Insulator : Thermoplastic
- Contacts : Copper Alloy
- Seals & Grommet : Silicon Elastomer
- Contact Plating : Gold over copper Alloy 0.8µm minimum
- Durability : 500 Mating cycles
- Delivered without Souriau contacts
- Temperature Range : -65°C to +200°C
- Salt Spray : 48 hours

| Connector dimension |                 |
|---------------------|-----------------|
| Dim                 | Nominal         |
| A                   | 58.7±0.3        |
| B                   | 42.85+0.1/-0.15 |
| R                   | 32.5Max         |
| S                   | 55.6±0.4        |
| W                   | 3+0.9/-0.1      |
| VV THREAD           | M37x1-6g        |

SOURIAU shall not be liable for any non-conformity or damage due to a use of the Products which does not comply with the Specifications issued by either of the Parties or by a third party (professional recommendation, technical notice.)

| Country | Jurisdiction & Control List |
|---------|-----------------------------|
| FR      | Not Listed                  |

**PN: 8D725F41SAL**

|              |   |                                |   |
|--------------|---|--------------------------------|---|
| A            | 03-10-2016  | First Release                  |   |
| ISS          | DATE  | Latest modification - by       | MOD N°  |
| Designed By: |   | Date:                          | <b>CUSTOMER DRAWING</b>   |
| <b>TITLE</b> | <b>Aluminium Receptacle 8D series</b>                               |                                |   |
| SCALE        |   | General linear Tolerances: ±-- | NPRDS / PROJECT<br><b>859</b>   |
| NA           | <b>SOURIAU</b> <a href="http://WWW.SOURIAU.COM">WWW.SOURIAU.COM</a> |                                | This document is the property of SOURIAU it must not be reproduced or communicated without permission |
| FORMAT       | <b>A3</b>   |                                | <b>SOURIAU DRG N° 8D725F41SAL-C</b> SHEET 1/2   |

|                |                        |   |   |    |   |    |   |   |   |                                    |
|----------------|------------------------|---|---|----|---|----|---|---|---|------------------------------------|
| BASIC SERIES:  | 8D                     | 7 | - | 25 | F | 41 | S | A | L | Delivered W/O Contacts             |
| SHELL TYPE :   | Jam nut Receptacle     |   |   |    |   |    |   |   |   | ORIENTATION : A                    |
| CONTACT TYPE : | Standard Crimp Contact |   |   |    |   |    |   |   |   | CONTACT TYPE : SOCKET(500 Matings) |
| SHELL SIZE :   | 25                     |   |   |    |   |    |   |   |   | CONTACT LAYOUT : 25-41             |
| PLATING :      | F = Nickel             |   |   |    |   |    |   |   |   |                                    |

Contact Layout

41

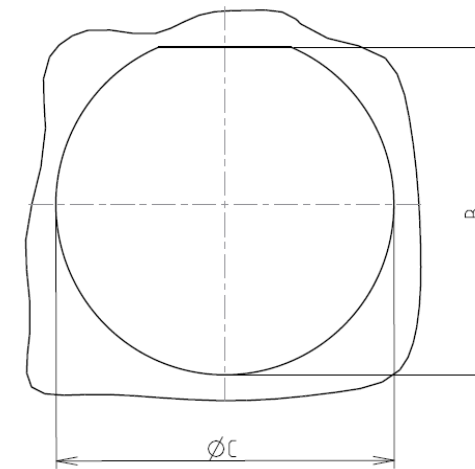


22#22D, 3#20  
11#16, 2#12  
3#8 Triax

| 25-41 |        |        |     |       |       |
|-------|--------|--------|-----|-------|-------|
| Ctc   | X      | Y      | Ctc | X     | Y     |
| A     | 0      | 10.79  | Y   | -5.37 | 7.92  |
| B     | 7.09   | 11.34  | Z   | 3.32  | 5.72  |
| C     | 10.77  | 7.92   | a   | 7.96  | -0.42 |
| D     | 12.94  | 3.39   | b   | 0     | -6.6  |
| E     | 13.27  | -1.62  | c   | -7.96 | -0.42 |
| F     | 8.17   | -6.44  | d   | -3.32 | 5.72  |
| G     | 4.67   | -12.53 | e   | 0     | 4.48  |
| H     | 0      | -13.37 | f   | 3.02  | 3.07  |
| J     | -4.67  | -12.53 | g   | 5.32  | 0.005 |
| K     | -8.17  | -6.44  | h   | 3.7   | -2.43 |
| L     | -13.27 | -1.62  | i   | 2.38  | -4.74 |
| M     | -12.94 | 3.39   | j   | -2.38 | -4.74 |
| N     | -10.77 | 7.92   | k   | -3.7  | -2.43 |
| P     | -7.09  | 11.34  | m   | -5.32 | 0.005 |
| R     | 5.37   | 7.92   | n   | -3.02 | 3.07  |
| S     | 7.32   | 3.91   | p   | 0     | 1.81  |
| T     | 10.39  | 0.67   | q   | 2.59  | -0.01 |
| U     | 1.77   | -9.66  | r   | 0     | -3.53 |
| V     | -1.77  | -9.66  | s   | -2.59 | -0.01 |
| W     | -10.39 | 0.67   | t   | 0     | -0.86 |
| X     | -7.32  | 3.91   |     |       |       |

Panel cutout

JAM NUT RECEPTACLE (TYPE 7)



| Dim | Nominal       |
|-----|---------------|
| B   | 43.43+0/-0.25 |
| ØC  | 44.7+0.25/-0  |

SOURIAU shall not be liable for any non-conformity or damage due to a use of the Products which does not comply with the Specifications issued by either of the Parties or by a third party (professional recommendation, technical notice.)

| Country | Jurisdiction & Control List |
|---------|-----------------------------|
| FR      | Not Listed                  |

PN: 8D725F41SAL

|                |                                 |                                |  |
|----------------|---------------------------------|--------------------------------|--|
| A              | 03-10-2016                      | First Release                  |  |
| ISS            | DATE                            | Latest modification - by       | MOD N°   |
| Designed By:   |                                 | Date:                          | <b>CUSTOMER DRAWING</b>  |
| <b>TITLE</b>   | Aluminium Receptacle 8D series  |                                |  |
| SCALE          |                                 | General linear Tolerances: ±-- | NPRDS / PROJECT<br><b>859</b>  |
| <b>SOURIAU</b> | WWW.SOURIAU.COM                 |                                | This document is the property of SOURIAU<br>it must not be reproduced or communicated without permission |
| FORMAT         | SOURIAU DRG N°<br>8D725F41SAL-C |                                | SHEET<br>2/2   |