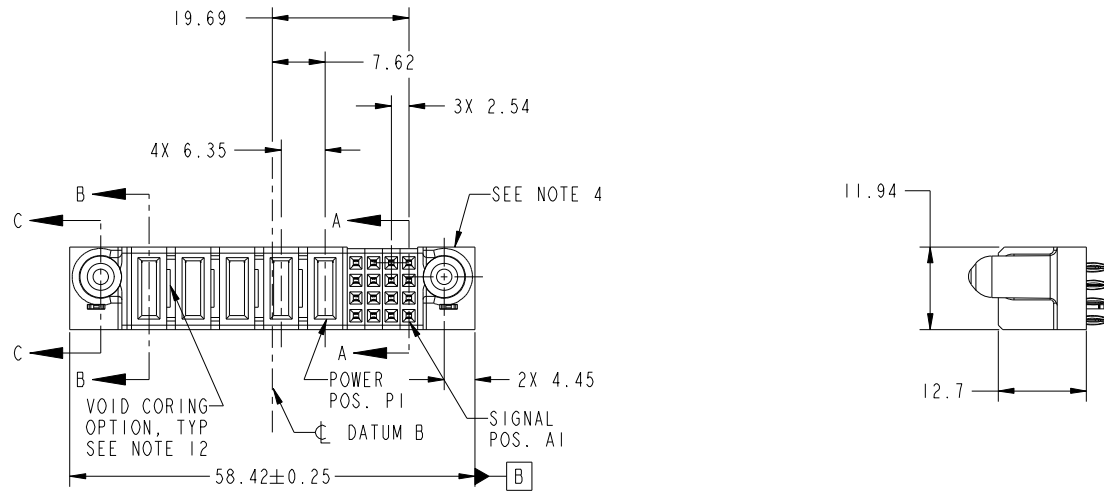


Tous droits strictement reserves. Reproduction ou communication a des tiers interdite sous quelque forme que ce soit sans autorisation écrite du propriétaire. Propriete de c FCI. Droits de reproduction FCI.



All rights strictly reserved. Reproduction or issue to third parties in any form whatever is not permitted without written authority from the proprietor. Property of FCI. Copyright FCI.

PRODUCT NO.	ROWS	POWER					SIGNAL					
		E2	P5	P4	P3	P2	P1	4	3	2	1	E1
51751-019-- NOTE: 3	D C B A		PC	PF	PF	PF	PC	F	F	F	F	



CODE	DIM "M" MATING LENGTH	CONTACT TYPE
PF	[2.34]	POWER
F	[N/A]	SIGNAL
HA	[N/A]	HOLD-DOWN
PC	[1.07]	POWER

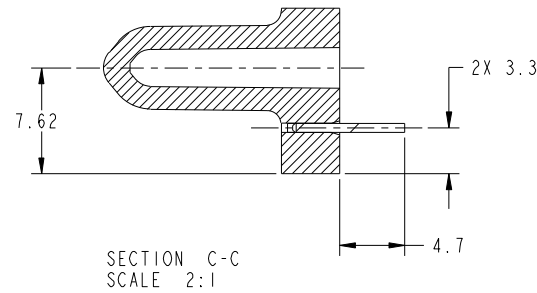
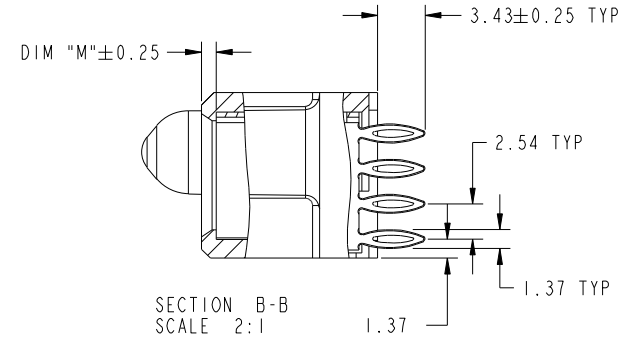
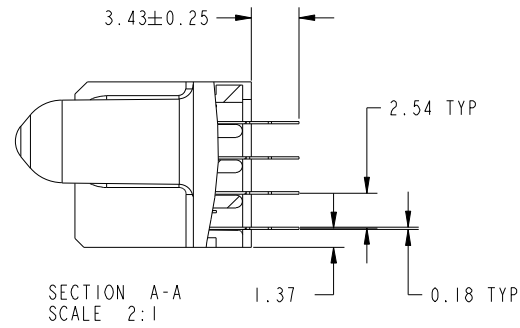
mat'l code				SEE NOTES		tolerances unless otherwise specified		CUSTOMER		FCI www.fciconnect.com	
ltr	ecn no.	dr	date	linear		0.X ±0.5		COPY	title 16S + 5P VERTICAL PRESS-FIT RECEPT		
A	DG09-0142	JW	04/13/09	angles		0.XX ±0.25		projection	product family PwrBlade code 213		
				dr	JULIA WANG	04/13/09		MIM	size	dwg no	sheet
				enr	JEROME CHEN	04/13/09			A	51751-019	1 of 4
				chr	GARY HSIEH	04/13/09			scale	1:1	
				appd	JOSEPH HSIA	04/13/09			cage code 22526		
sheet index	revision sheet	A	A	A	A	A	A	Pro/E		3	4

Tous droits strictement reserves. Reproduction ou communication a des tiers interdite sous quelque forme que ce soit sans autorisation ecrite du proprietaire. Propriete de c FCI. Droits de reproduction FCI.



All rights strictly reserved. Reproduction or issue to third parties in any form whatever is not permitted without written authority from the proprietor. Property of FCI. Copyright FCI.

PRODUCT NUMBER
51751-019--
NOTE: 3



mat'l code				tolerances unless otherwise specified		CUSTOMER		www.fciconnect.com	
ltr	ecn no.	dr	date	linear	0.X ±0.5	COPY		title 16S + 5P	
A					0.XX ±0.25	projection		VERTICAL PRESS-FIT RECEIPT	
				angles	0.XXX ±0.1			product family PwrBlade code 213	
				dr	0° ±2°	MIM		size dwg no 213	
				enr	JULIA WANG 04/13/09	scale 1:1		sheet 2 of 4	
				chr	JEROME CHEN 04/13/09			51751-019	
				appd	GARY HSIEH 04/13/09				
					JOSEPH HSIA 04/13/09				
sheet index	revision sheet							cage code 22526	

Pro/E

cage code 22526

Tous droits strictement reserves. Reproduction ou communication a des tiers interdite sous quelque forme que ce soit sans autorisation écrite du propriétaire. Propriete de c FCI. Droits de reproduction FCI.



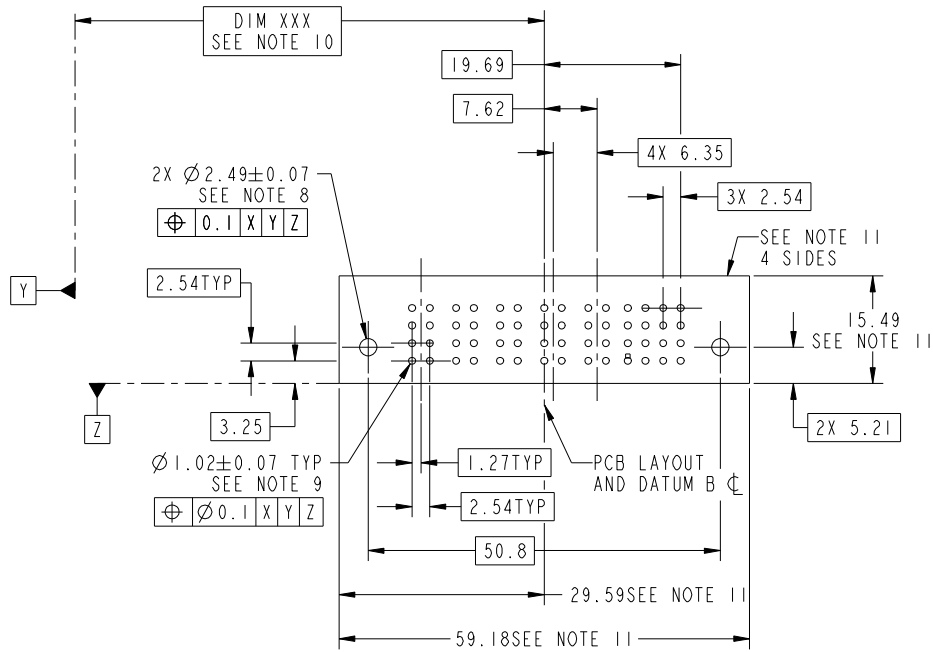
All rights strictly reserved. Reproduction or issue to third parties in any form whatever is not permitted without written authority from the proprietor. Property of FCI. Copyright FCI.

PRODUCT NUMBER
51751-019--
NOTE: 3

1 | 2

3 |

4



mat'l code				tolerances unless otherwise specified		CUSTOMER		FCI	
ltr	ecn no.	dr	date	linear	0.X ±0.5	COPY		www.fciconnect.com	
A					0.XX ±0.25	projection		title 16S + 5P	
				angles	0.XXX ±0.1			VERTICAL PRESS-FIT RECEPT	
				dr	0° ±2°	MIM		product family PwrBlade code 213	
				enr	JULIA WANG 04/13/09	scale		size dwg no 51751-019 sheet 213	
				chr	JEROME CHEN 04/13/09	1:1		3 of 4	
				appd	GARY HSIEH 04/13/09				
					JOSEPH HSIA 04/13/09				
sheet index		revision sheet							

cage code 22526

Pro/E

3 |

4

Tous droits strictement reserves. Reproduction ou communication a des tiers interdite sous quelque forme que ce soit sans autorisation écrite du propriétaire. Propriete de c FCI. Droits de reproduction FCI.



All rights strictly reserved. Reproduction or issue to third parties in any form whatever is not permitted without written authority from the proprietor. Property of FCI. Copyright FCI.

PRODUCT NUMBER
51751-019--
NOTE: 3

NOTES:

1. DIMENSIONS AND TOLERANCES ARE IN ACCORDANCE WITH ASME Y14.5M, 1994 UNLESS OTHERWISE SPECIFIED.

CONNECTOR NOTES:

- 2 HOUSING MATERIAL: UL 94 V-0 GLASS FILLED HIGH-TEMP THERMOPLASTIC
POWER CONTACT MATERIAL: COPPER ALLOY
SIGNAL PIN MATERIAL: COPPER ALLOY
- 3. PLATING SPEC.
SEE ITEM 7 & 8 IN PRINT 10064183 FOR PLATING SPEC OF 51751-019, 51751-019LF RESPECTIVELY.

4 MANUFACTURER'S NAME, P/N, AND DATE CODE TO APPEAR ON THIS SURFACE.

5. PRODUCT SPECIFICATION GS-12-149.
APPLICATION SPECIFICATION BUS-20-067.

6. PACKAGED IN TRAYS.

PCB NOTES:

7. ALL HOLE DIAMETERS ARE FINISHED HOLE SIZE.

8 MOUNTING HOLES, WHERE APPLICABLE, ARE UNPLATED.

9 $\varnothing 1.151 \pm 0.025$ DRILLED HOLES PLATED WITH
0.008 MIN SnPb OR Sn OVER 0.03
TO 0.08 Cu PLATING TO ACHIEVE
 $\varnothing 1.02 \pm 0.07$ HOLE.

10 "DIM XXX" TO BE DETERMINED BY THE CUSTOMER.

11 CONNECTOR KEEP-OUT ZONE.

12. THE VOID CORING IN BETWEEN POWER MODULES, SIGNAL MODULES AND END MODULES ARE OPTIONAL AND THE SHAPE MAY BE DIFFERENT FOR OPTIMIZE THE MOLDING PROCESS. THE VOID CORING WILL NOT EFFECT TO PRODUCT FUNCTION.

mat'l code				tolerances unless otherwise specified		CUSTOMER		FCI	
ltr	ecn no.	dr	date	linear	0.X ± 0.5	COPY		www.fciconnect.com	
A					0.XX ± 0.25	projection		title 16S + 5P	
				angles	0.XXX ± 0.1			VERTICAL PRESS-FIT RECEPT	
				dr	0° + 2°	MIM		product family PwrBlade code 213	
				enr	JULIA WANG 04/13/09	scale		size dwg no 51751-019 sheet 4 of 4	
				chr	JEROME CHEN 04/13/09	1:1		A	
				appd	GARY HSIEH 04/13/09				
					JOSEPH HSIA 04/13/09				
sheet index	revision sheet								

cage code 22526

Pro/E