

Mounting Option

Ø.156" (Ø3.96mm) Mounting Holes

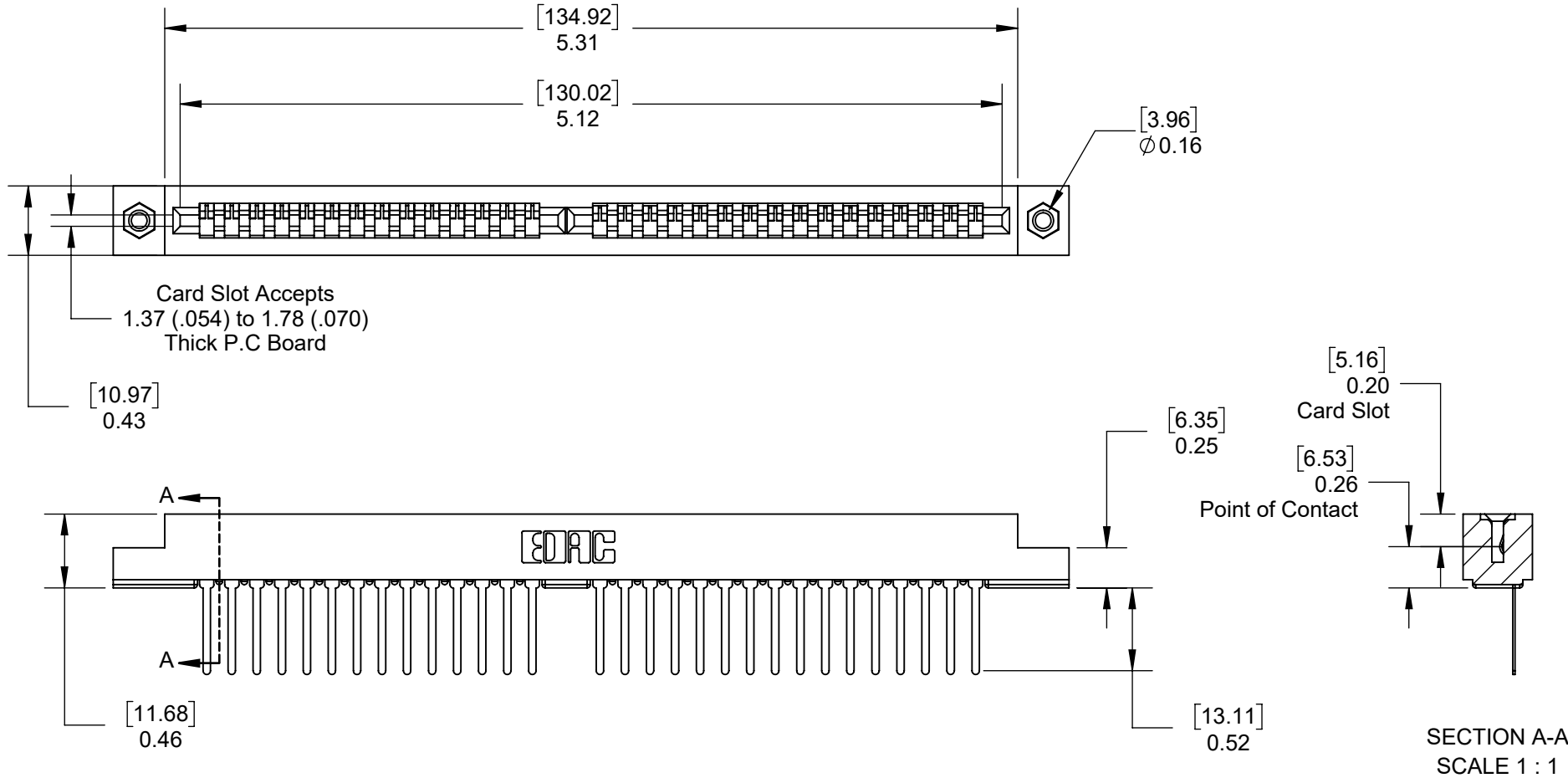
Contact Detail


527 - P.C Tail .046 x .013 (1.17 x 0.33)

THIS IS A C.A.D. GENERATED DRAWING
DO NOT MAKE MANUAL REVISIONS TO MASTER.



ISSUE NUMBER	
ORIGINAL	①



<h3>310 SERIES CARD EDGE CONNECTOR</h3>		DRAWN: W.TU	DATE: 2020-03-25
		CHECKED:	DATE:
 <p>EDAC INC TORONTO, ONTARIO CANADA</p> <p>YOUR CONNECTION TO QUALITY & SERVICE</p>		PART NUMBER 310-030-547-107	
		DRAWING NUMBER 310 ASSEMBLY	

THESE DRAWINGS AND SPECIFICATIONS ARE THE PROPERTY OF EDAC INC., AND SHALL NOT BE REPRODUCED, OR COPIED OR USED AS THE BASIS FOR THE MANUFACTURE OR SALE OF APPARATUS WITHOUT WRITTEN PERMISSION.