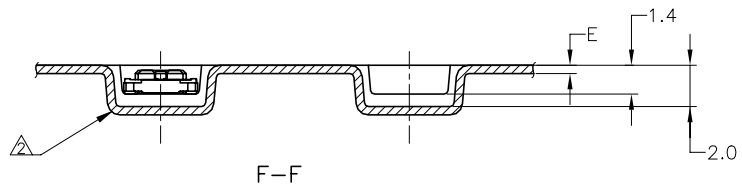
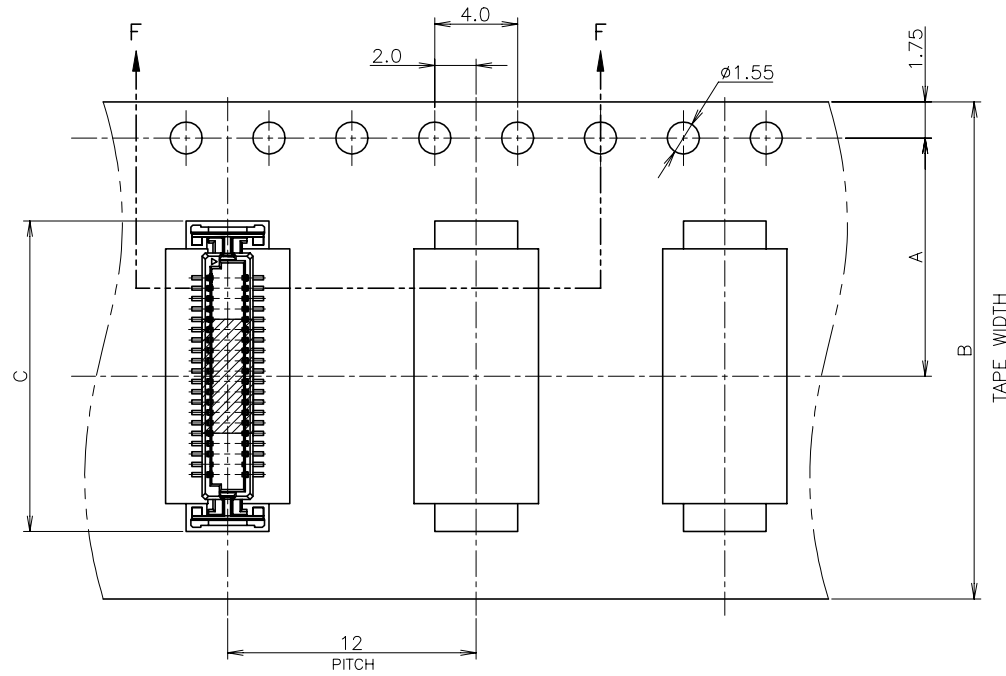
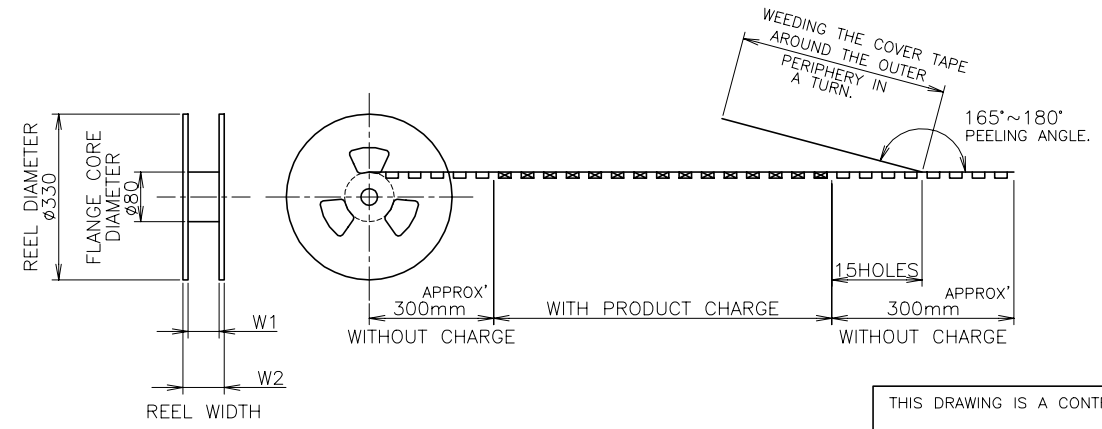


REVISIONS				
P	LTR	DESCRIPTION	DATE	DWN APVD
	B3	REVISED PER ECN-22-140195	18FEB2020	AL HL



TOP OF REEL



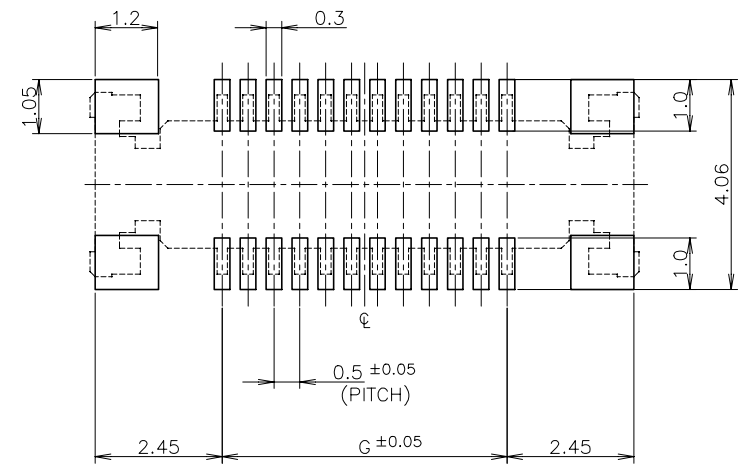
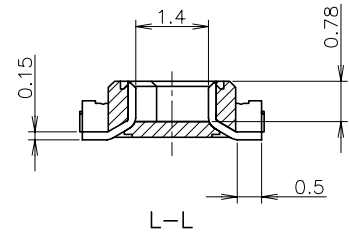
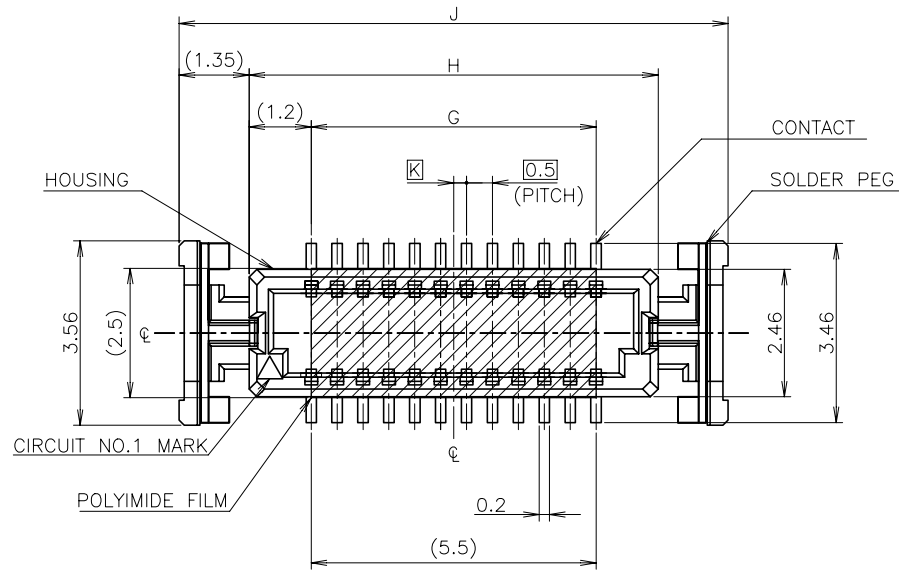
28.4	24.4	0.4	15.0	24	11.5	1500	40	4-5353515-5
28.4	24.4	0.4	15.0	24	11.5	1500	40	4-5353515-0
28.4	24.4	0.4	12.5	24	11.5	1500	30	3-5353515-0
20.4	16.4	0.4	9.75	16	7.5	1500	20	2-5353515-0

INSTRUCTION SHEET	DIMENSIONS					QTY/REEL	POS	TAPING P/N
411-5781	W2	W1	E	C	B	A		

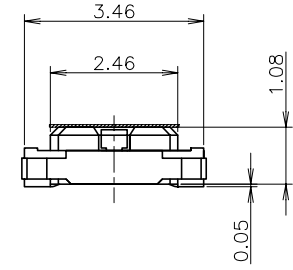
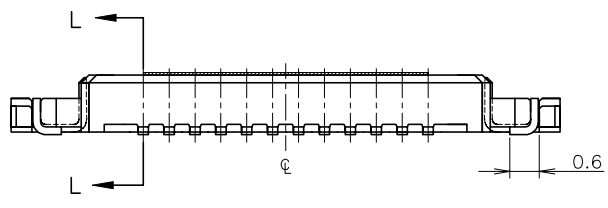
THIS DRAWING IS A CONTROLLED DOCUMENT.

DWN BILL LV 09SEP2010	TE Connectivity Ltd. ON TAPING EMBOSS 0.5mm FS CONN.TAB ASSY WITH KEY & MYLAR,WITHOUT BOSS
CHK MARTIN LI 09SEP2010	
APVD STEVEN YAO 09SEP2010	NAME 名称
PRODUCT SPEC 製品規格 108-60048	DRAWING NO 番号 G=5353515
APPLICATION SPEC 取付適用規格	RESTRICTED TO
MATERIAL 材料	SCALE 尺度 4:1
FINISH 仕上	SHEET 1 OF 2
WEIGHT	REV B3
CUSTOMER DRAWING	

REVISIONS					
變更					
P	LTR	DESCRIPTION	DATE	DWN	APVD
-	-	SEE SHEET 1	-	-	-



(T=0.6 MIN.)
P.C. BOARD LAYOUT (REF.)



- 1 MATING COUNTER PART NUMBER: 5353511
- △ MATERIAL
- HOUSING: HIGH HEAT-RESISTED
- CONTACT: COPPER ALLOY (t=0.15), Au PLATING.
- SOLDER PEG: COPPER ALLOY (t=0.15), TIN PLATING.
- △ CONTACT: Au PLATING (0.00076mm)

THIS DRAWING IS A CONTROLLED DOCUMENT.

DIMENSIONS: 單位: 耗 mm	TOLERANCES UNLESS OTHERWISE SPECIFIED: 一般公差
	0 PLC ± 0.2
	1 PLC ± 0.2
	2 PLC ± 0.2
	3 PLC ± 0.2
	4 PLC ± 0.2
	ANGLES ± 3'
MATERIAL 材料	FINISH 仕上

INSTRUCTION SHEET 411-5781	DIMENSION		POS.	PART NO.
DWN	K	J	H	G
CHK	TE Connectivity Ltd.			
APVD	ON TAPING EMBOSS			
PRODUCT SPEC 製品規格	0.5mm FS CONN.TAB ASSY			
APPLICATION SPEC 取付適用規格	WITH KEY & MYLAR, WITHOUT BOSS			
WEIGHT	SIZE A3	CAGE CODE 00779	DRAWING NO G=5353515	RESTRICTED TO
CUSTOMER DRAWING	SCALE 尺度 10:1	SHEET 2 OF 2	REV B3	