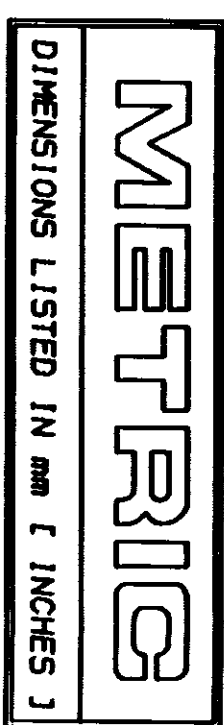
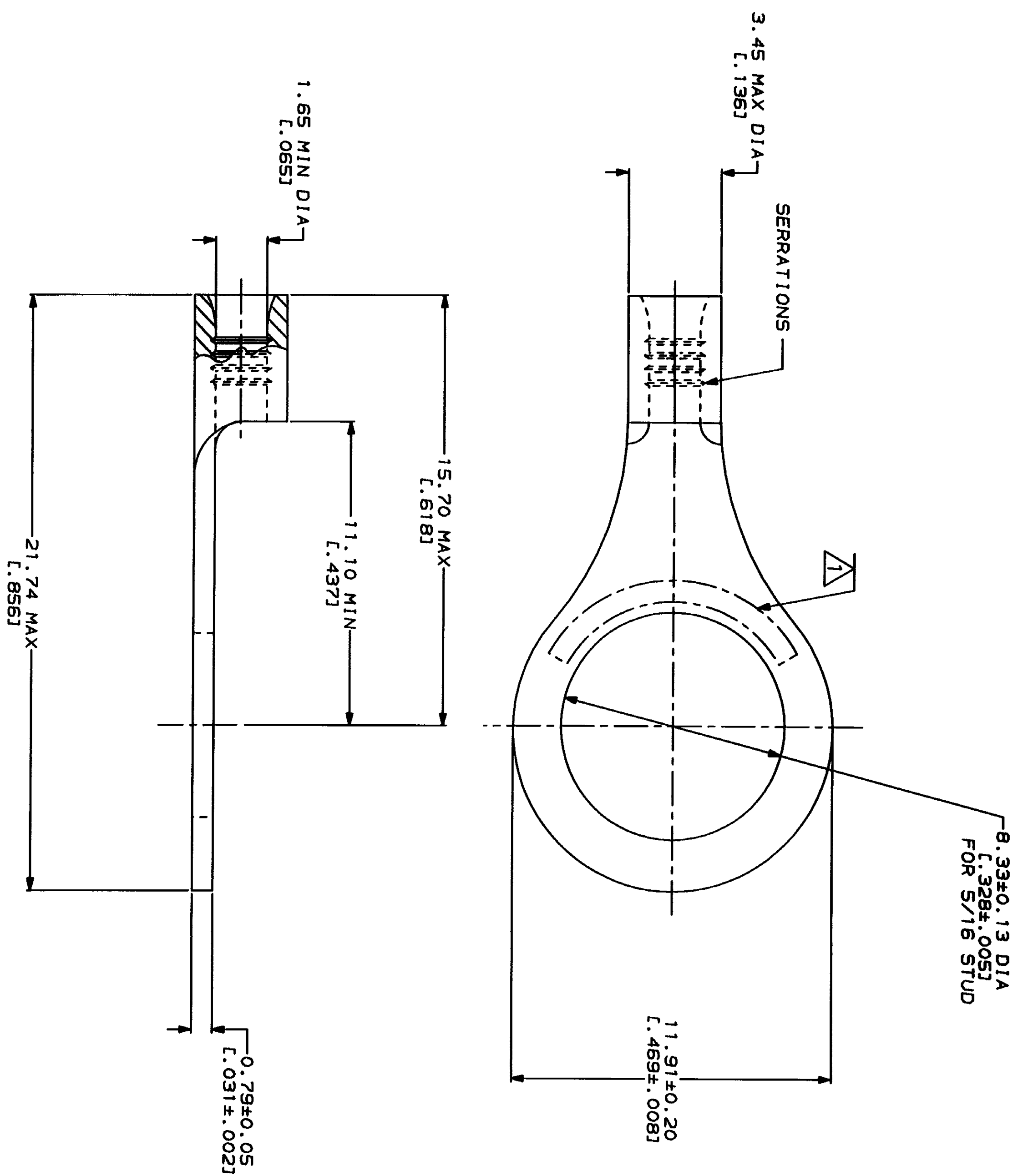


LOC	DATE	BY	DESCRIPTION	DATE	APPD
G	14	P	REVISED PER 0720-0230-93	2/25/93	JL



WIRE RANGE	22-16 AWG STRANDED	E13288 Listed
WIRE RANGE	22-16 AWG STRANDED	MILITARY P/N AND CLASS
NOT CERTIFIED	NOT APPLICABLE	

STAMP AMP 22-18* APPROX AS SHOWN
 22-16 TERMINALS ARE STAMPED 22-18 IN
 ACCORDANCE WITH MILITARY SPECIFICATION
 MIL-T-7928, COMMERCIAL WIRE RANGE IS 22-16



AMP INCORPORATED
 CUSTOMER SERVICE SYSTEMS

MAX RECOMMENDED OPERATING TEMPERATURE: 170°C MAX

FOR ADDITIONAL PRODUCT INFORMATION OR COPIES OF DRAWINGS AND TECHNICAL DOCUMENTS

VOLTAGE RATING: NOT APPLICABLE

FOR APPLICATION TOOLING INFORMATION

WIRE CROSS SECTIONAL AREA RANGE: 0.26-1.65mm² (S09-3,260) CIR MILS STRANDED

FOR ORDER ENTRY

THIS DRAWING IS A GENERALIZED DRAWING FOR THE PURPOSES OF ILLUSTRATION AND THE CONTRACTING ORGANIZATION SHOULD BE CONTACTED FOR THE LATEST REVISION.

AMP 1471-B REV 3-82

DO NOT SCALE PRINT. UNLESS SPECIFIED DIMENSIONS IN INCHES. TOLERANCES ON: 2 PLC DEC # - - 3 PLC DEC # - - ANGLES # - -

FINISH TIN PLATE
 0.00254L (0.00100) MIN THK PER MIL-T-10727

DR 2-3-93 TA BRIKMAN
 CHK 2-3-93 DA PATTERSON
 APPD 2-3-93 DE MILLER
 APPD 2-3-93 JL HECKLEY
 PRODUCT SPEC

NAME: TERMINAL, RING TONGUE, BUDGET
 AMP Incorporated
 Harrisburg, PA 17125-3608

5000	ON TAPE	3-31173-3
---	LOOSE PIECE	31173
QUANTITY	PACKAGE TYPE	PART NO

SCALE 8:1

1 OF 1

31173

3

4

1

2

3

4

5

6

7

8

9

10

11

12

13

14

15

16

17

18

19

20

21

22

23

24

25

26

27

28

29

30

31

32

33

34

35

36

37

38

39

40

41

42

43

44

45

46

47

48

49

50

51

52

53

54

55

56

57

58

59

60

61

62

63

64

65

66

67

68

69

70

71

72

73

74

75

76

77

78

79

80

81

82

83

84

85

86

87

88

89

90

91

92

93

94

95

96

97

98

99

100

101

102

103

104

105

106

107

108

109

110

111

112

113

114

115

116

117

118

119

120

121

122

123

124

125

126

127

128

129

130

131

132

133

134

135

136

137

138

139

140

141

142

143

144

145

146

147

148

149

150

151

152

153

154

155

156

157

158

159

160

161

162

163

164

165

166

167

168

169

170

171

172

173

174

175

176

177

178

179

180

181

182

183

184

185

186

187

188

189

190

191

192

193

194

195

196

197

198

199

200

201

202

203

204

205

206

207

208

209

210

211

212

213

214

215

216

217

218

219

220

221

222

223

224

225

226

227

228

229

230

231

232

233

234

235

236

237

238

239

240

241

242

243

244

245

246

247

248

249

250

251

252

253

254

255

256

257

258

259

260

261

262

263

264

265

266

267

268

269

270

271

272

273

274

275

276

277

278

279

280