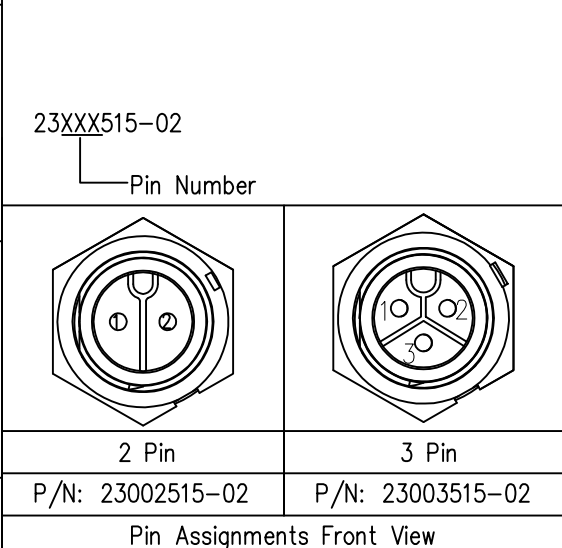
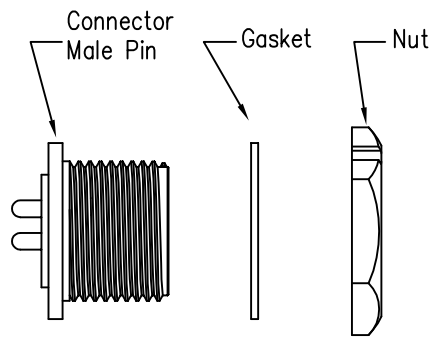
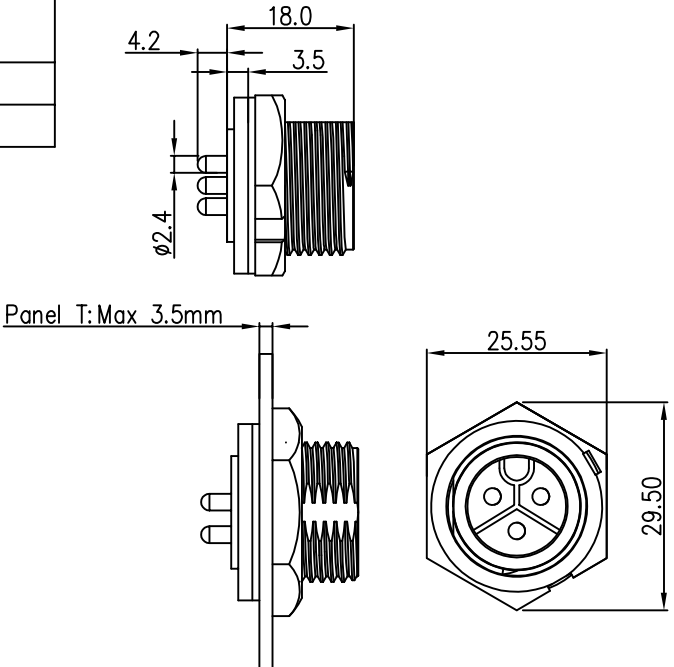
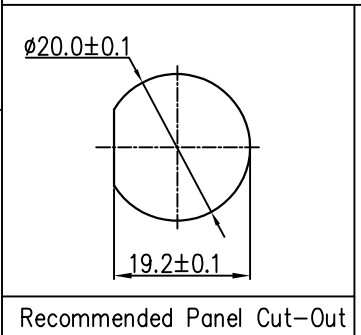
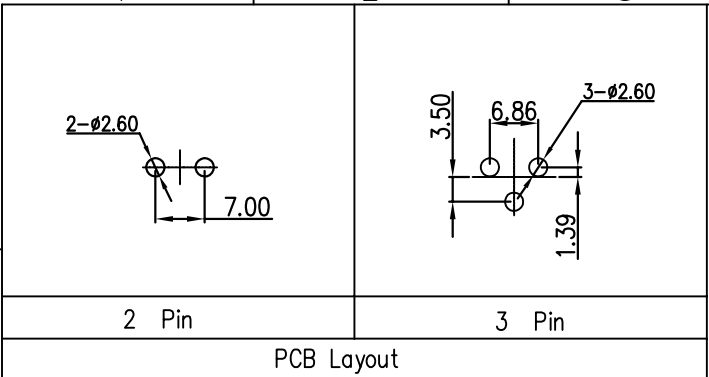
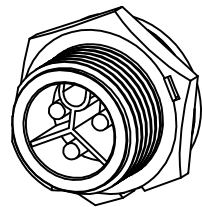


THIS INFORMATION IS CONFIDENTIAL AND IS DISCLOSED TO YOU ON CONDITION THAT NO FURTHER DISCLOSURE IS MADE BY YOU TO OTHER THAN CHOGORI PERSONNEL WITHOUT AUTHORIZATION FROM CHOGORI CORP.

REV.	ECN NO.	DESCRIPTION	SIGN	DATE
C1	N/A	INITIAL DRAWING	Liu	2019/08/13



- Specification:
- 1.Operation Temperature: -45°C~105°C.
 - 2.Insulation Resistance: 100MΩ at DC500V.
 - 3.Contact Resistance: <10mΩ.
 - 4.Withstand Voltage: 2000V AC
 - 5.Operating Current: 20A
 - 6.Operating Voltage: AC 300V
 - 7.Waterproof Rate: IP67 (Mated)
 - 8.Housing: Nylon, Black
 - 9.Male Pin: Copper Alloy, Gold Plated
 - 10.Gasket: Silicon Gray
 - 11.Panel Nut: Nylon, Black
 - 12.Torque Rate: 0.8~1.0N • m
 - 13.RoHS Compliant.
 - 14.Mating Cap P/N: 806-00021-00



CHOGORI

UNIT:mm		DESCRIPTION	Middle Series Screw Type Front Mount With Male Pin	PART NO	23XXX515-02	DRAWN BY	Liu	DATE	2019/08/13
TOLERANCE	.X ±0.25 .XX ±0.15 .XXX ±0.05 ANGLES ±1°	SCALE	1:1	SHEET	1 OF 1	CHECKED BY	Mo	DATE	2019/08/13
REV.	C1	SIZE	A4	* : Inspection Item		APPROVED BY	Panson	DATE	2019/08/13