

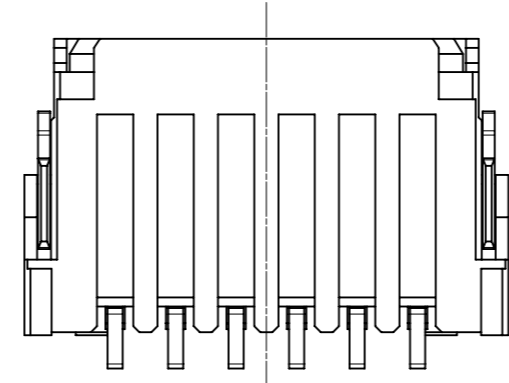
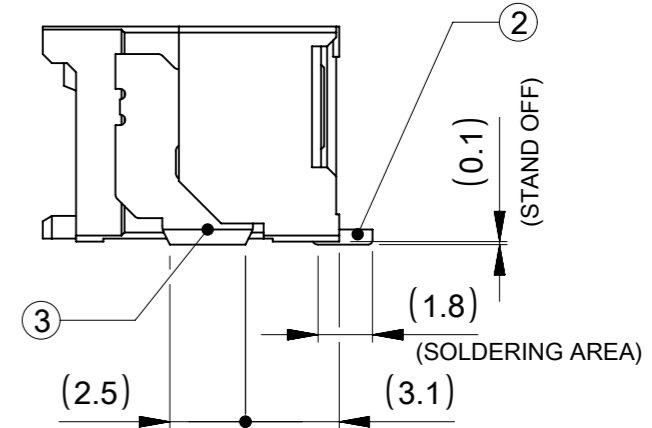
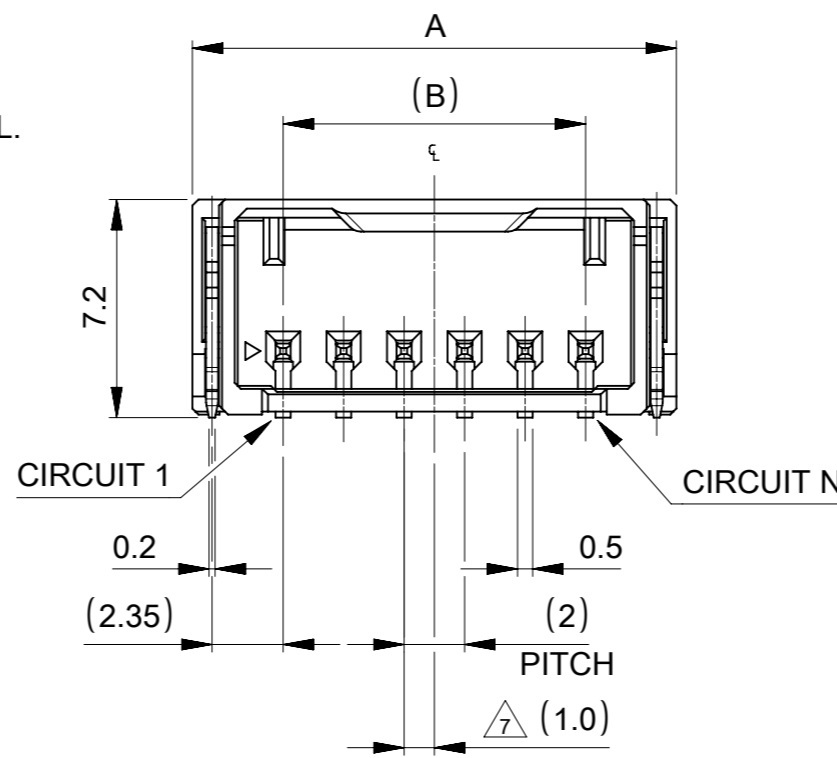
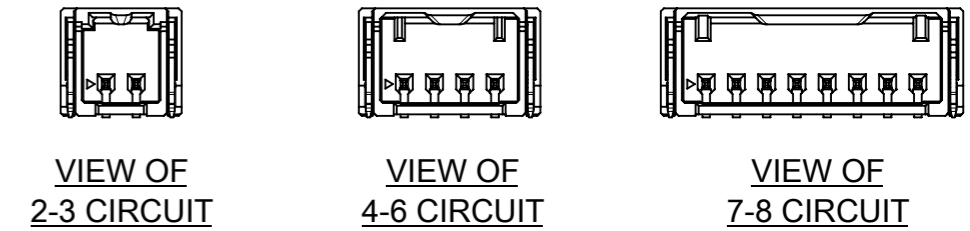
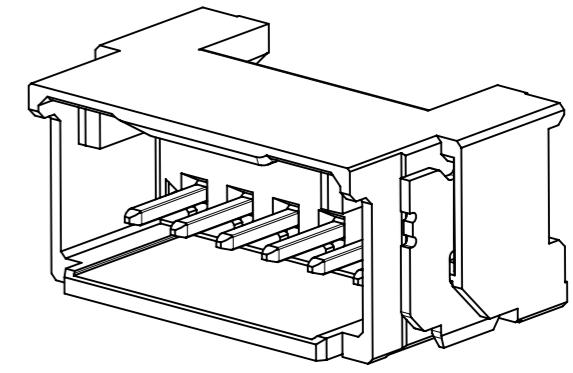
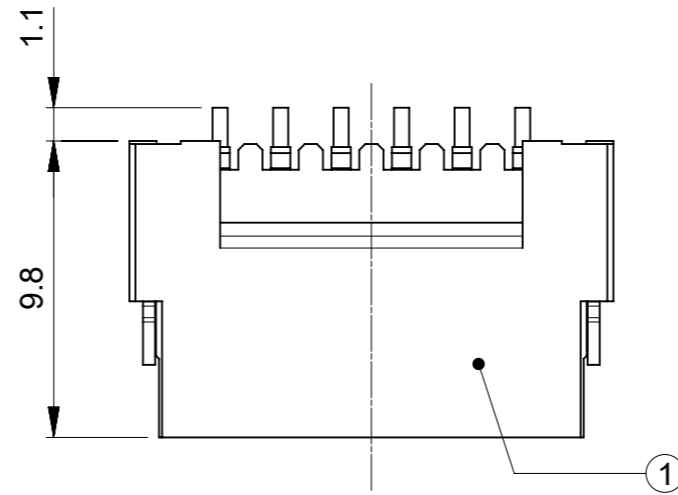
NOTES

- ① 材料及び仕上げ(めっき仕様) : TABLE 1 参照  
MATERIAL AND FINISHES : SEE TABLE 1
- 2. 製品仕様書 : 2059790000-PS 000  
PRODUCT SPECIFICATION:2059790000-PS 000
- 3. 梱包形態 : SHEET 4 参照  
PACKAGING INFORMATION : SEE SHEET 4
- ④ 嵌合相手 : 205979(ISLタイプ),212724(TPAタイプ) シリーズ  
MATES WITH:205979(ISL TYPE),212724(TPA TYPE) SERIES
- 5. アプリケーション仕様書(コネクタ取扱い説明書) :  
2059790000-AS 000  
APPLICATION SPECIFICATION(CONNECTOR MANUAL) :  
2059790000-AS 000
- 6. 端子テール部及びネイルの平坦度:0.1mm 以下.  
TAIL AND NAIL COPLANARITY TO BE 0.1mm MAX
- ⑦ 極数/2 = 偶数に適合  
APPLY FOR CIRCUIT SIZE / 2 =EVEN
- 8. 端子テール部及びネイルに錫ビスマスめっきを使用している為、  
外観に摺動痕が付く場合があります。  
THE WOUND OF FRICTION MIGHT ADHERE TO EXTERNALS  
BECAUSE THE TIN BISMUTH PLATING IS USED FOR THE TAIL AND NAIL.
- 9. 本製品のプラスチック部に黒点・白点等が確認される場合や  
色合いが異なる場合がありますが、製品性能に影響はありません。  
THERE IS NO INFLUENCE IN THE PRODUCT  
PERFORMANCE THOUGH THE BLACK AND WHITE SPOT ETC.  
MIGHT BE CONFIRMED TO THE PLASTIC PART OF  
THIS PRODUCT AND THE SHADE MIGHT BE DIFFERENT.
- ⑩ ISLタイプを嵌合する場合、ヘッダーコネクタは基板端面から  
1.0mm以下の位置に実装すること。  
WHEN MATING THE ISL TYPE, HEADER CONNECTOR OUTLINE  
MUST BE MOUNTED 1.0mm MAX FROM THE PCB EDGE.

① TABLE 1

| 番号<br>No. | 部品<br>PART        | 材質<br>MATERIAL  |
|-----------|-------------------|---|
| ①         | ハウジング<br>HOUSING  | ポリアミド(PA),UL94V-0, 色 : SEE CHART<br>POLYAMIDE(PA), UL94V-0, COLOR : SEE CHART |
| ②         | ターミナル<br>TERMINAL | 黄銅<br>BRASS   |
|           |                   | 錫ビスマスめっき : 1.0micro-meter MIN<br>TIN BISMUTH PLATING(TAIL AREA,CONTACT AREA)  |
| ③         | ネイル<br>NAIL       | ニッケルめっき(下地):1.0 micro-meter MIN<br>NICKEL(UNDER PLATING)                      |
|           |                   | 黄銅<br>BRASS   |
|           |                   | 錫めっき : 1.0micro-meter MIN<br>MATTE TIN PLATING                                |
|           |                   | ニッケルめっき(下地):1.0 micro-meter MIN<br>NICKEL(UNDER PLATING)                      |

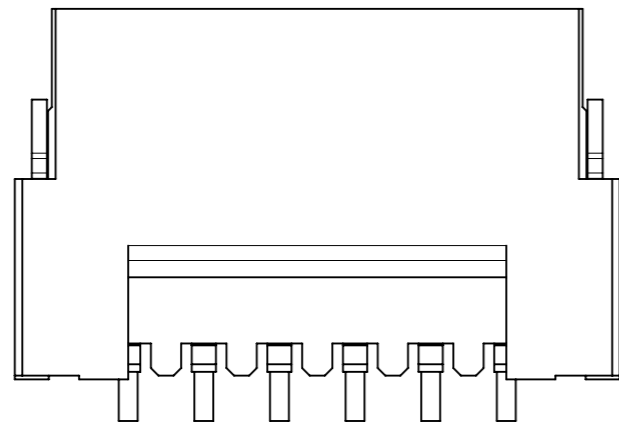
DOCUMENT STATUS P1 RELEASE DATE 2022/07/06 06:59:18



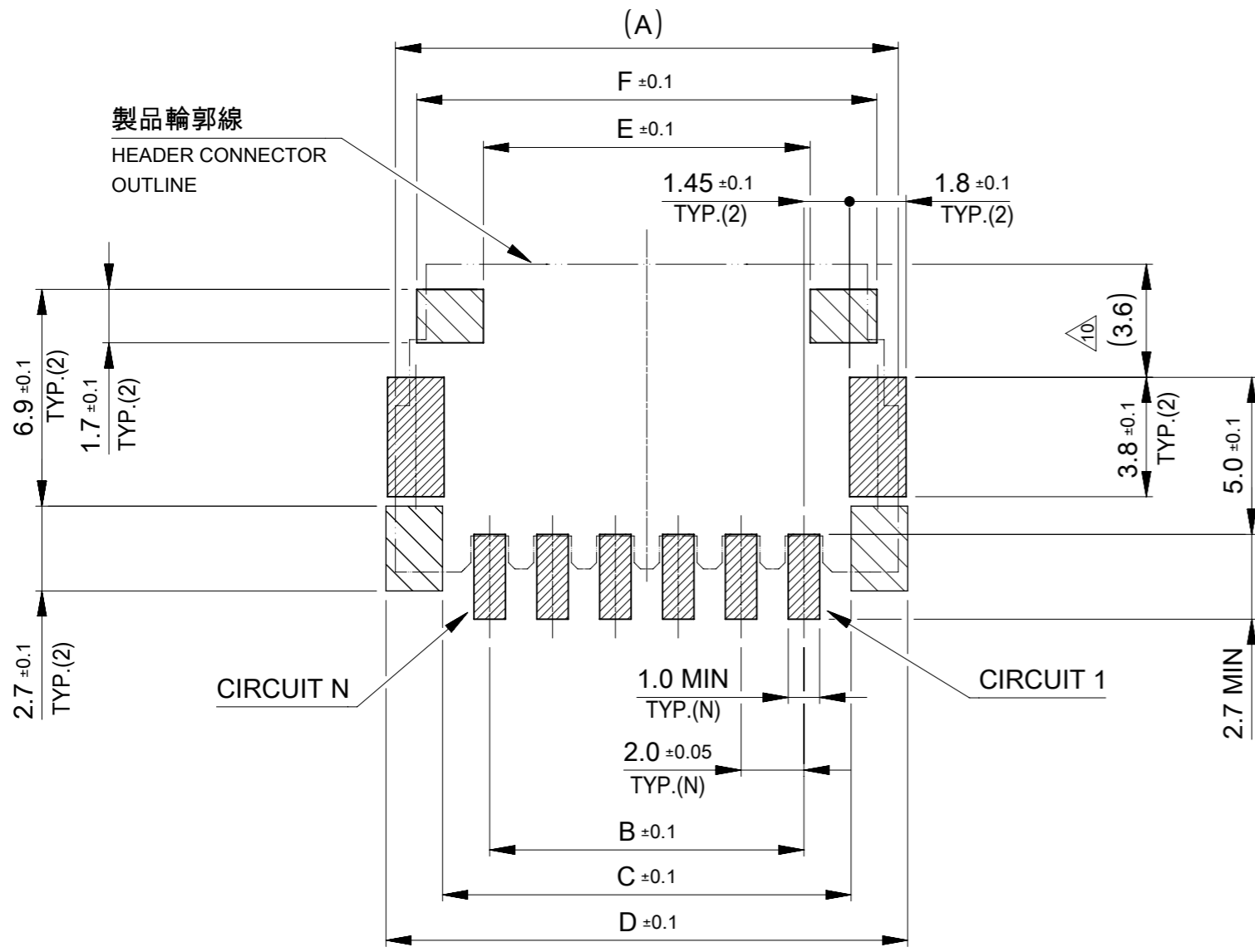
|    |    |                    |
|----|----|--------------------|
| 14 | 20 | 8                  |
| 12 | 18 | 7                  |
| 10 | 16 | 6                  |
| 8  | 14 | 5                  |
| 6  | 12 | 4                  |
| 4  | 10 | 3                  |
| 2  | 8  | 2                  |
| B  | A  | 極数<br>CIRCUIT SIZE |

THIS DRAWING CONTAINS INFORMATION THAT IS PROPRIETARY TO MOLEX ELECTRONIC TECHNOLOGIES, LLC AND SHOULD NOT BE USED WITHOUT WRITTEN PERMISSION

|  |                        |                   |                            |  |  |
|--|------------------------|-------------------|----------------------------|--|--|
| DIMENSION UNITS<br>mm                                      | SCALE<br>NTS           | CURRENT REV DESC: | <b>molex</b>               |  |  |
| GENERAL TOLERANCES<br>(UNLESS SPECIFIED)                   | ANGULAR TOL ± 3.0 °    | EC NO: 713005     |                            |  |  |
| 4 PLACES ± 0.2   | DRWN: KYAMADA02        | 2022/07/05        | PRODUCT CUSTOMER DRAWING   |  |  |
| 3 PLACES ± 0.2   | CHK'D: AIDA            | 2022/07/06        | DOCUMENT NUMBER            |  |  |
| 2 PLACES ± 0.2   | APPR: SAKIYAMA         | 2022/07/06        | DOC TYPE DOC PART REVISION |  |  |
| 1 PLACE ± 0.2  | INITIAL REVISION:      |                   | 2059720000-SD              |  |  |
| 0 PLACES ± 0.2   | DRWN: TGREGORI         | 2018/02/16        | PSD 000 D                  |  |  |
| DRAFT WHERE APPLICABLE<br>MUST REMAIN<br>WITHIN DIMENSIONS | THIRD ANGLE PROJECTION | APPR: SAKIYAMA    | SERIES                     |  |  |
|  |                        | 2020/07/10        | A3-SIZE 205972             |  |  |
|  |                        |                   | MATERIAL NUMBER            |  |  |
|  |                        |                   | CUSTOMER                   |  |  |
|  |                        |                   | SEE TABLE GENERAL          |  |  |
|  |                        |                   | SHEET NUMBER               |  |  |
|  |                        |                   | 1 OF 5                     |  |  |

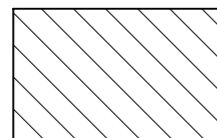


製品レイアウト  
PRODUCT LAYOUT

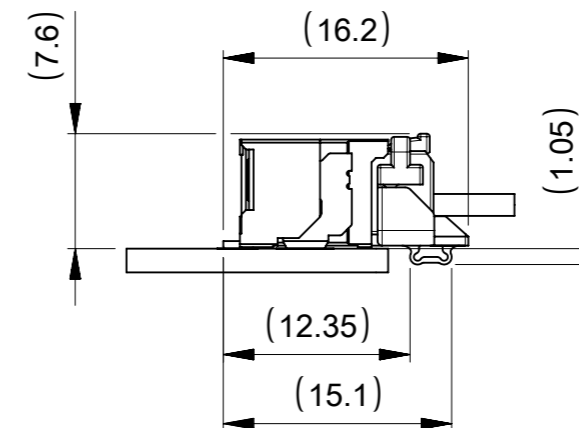
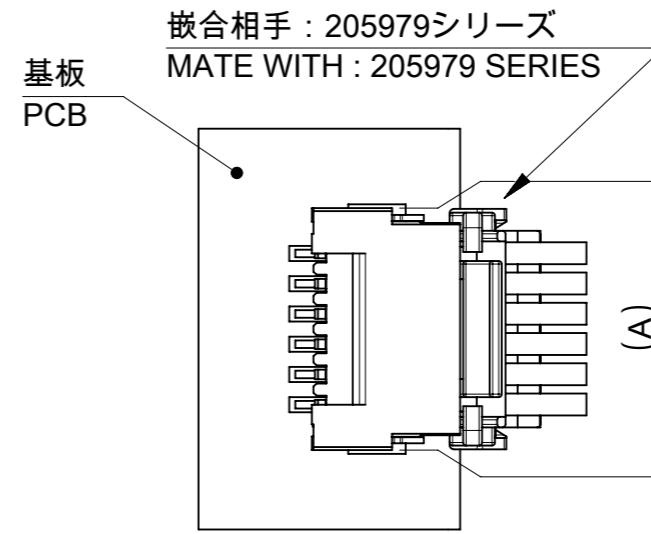


推奨基板レイアウト:実装面側

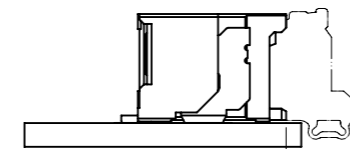
(参考: 基板厚1.6mm, メタルマスク厚0.15mm, マスク開口率100%)  
SUGGESTED PCB LAYOUT : COMPONENT SIDE  
(REFERENCE: PCB THICKNESS 1.6mm, STENCIL THICKNESS 0.15mm,  
APERTURE RATIO 100%)



:パターン禁止エリア  
RESTRICTED AREA  
NO PCB COMPONENTS ALLOWED

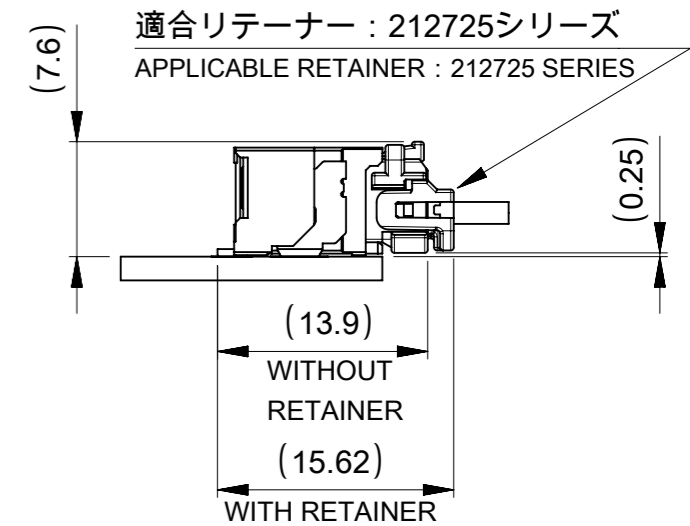
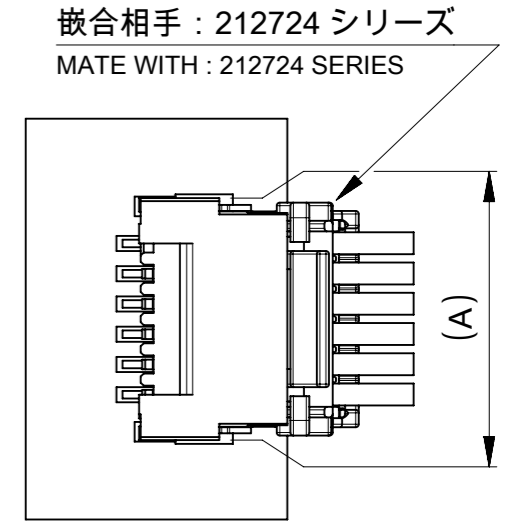


△4 ISLタイプ嵌合図  
MATED CONNECTOR OF ISL TYPE



1.0 MAX  
HEADER CONNECTOR OUTLINE  
FROM THE PCB EDGE.

△10 ISLタイプ基板レイアウトの注意点  
PCB LAYOUT PRECAUTIONS FOR ISL TYPE

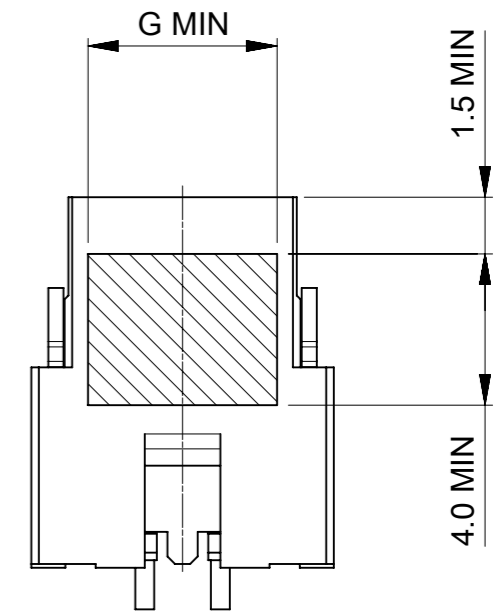
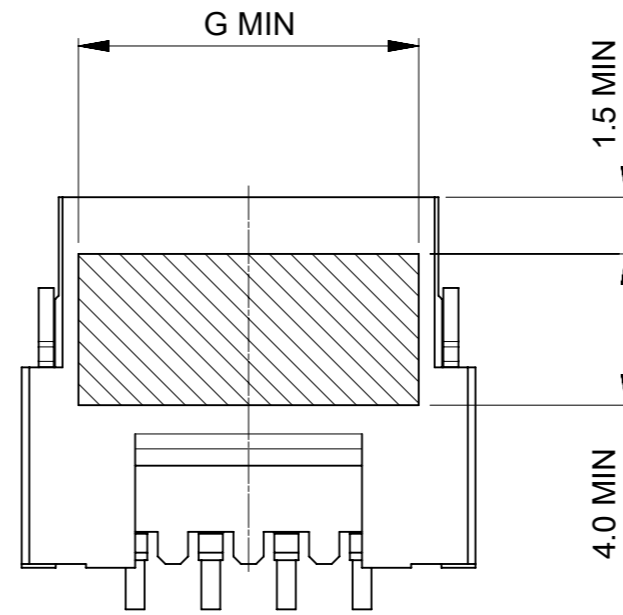
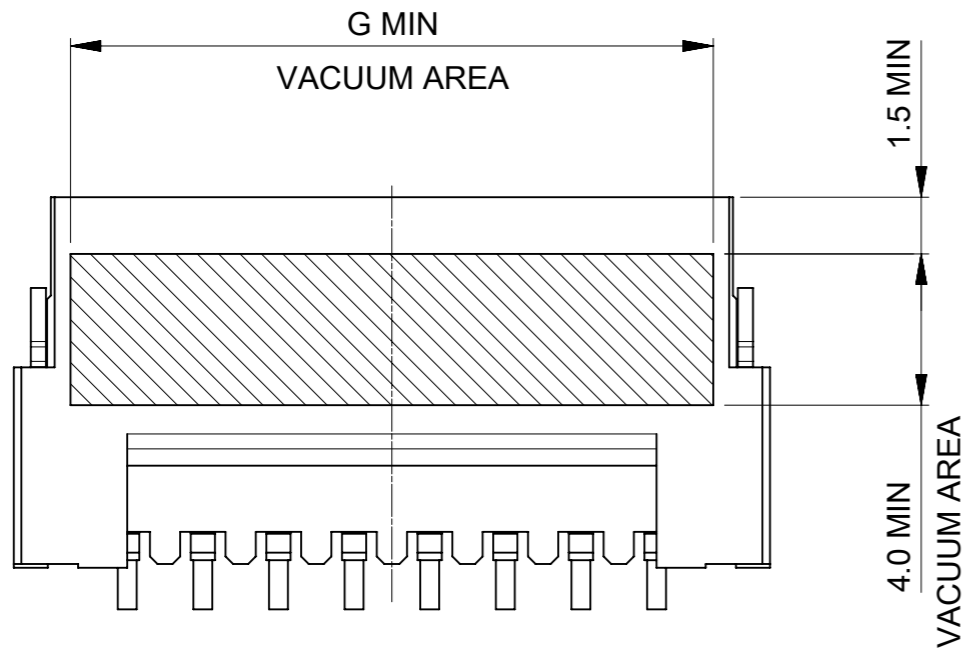


△4 TPAタイプ嵌合図  
MATED CONNECTOR OF TPA TYPE

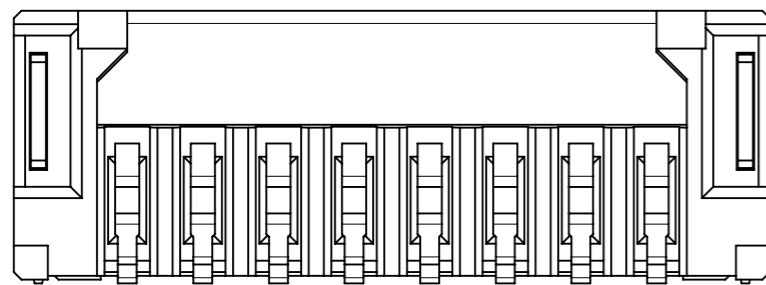
|      |      |      |      |                    |
|------|------|------|------|--------------------|
| 18.6 | 14.4 | 20.6 | 17.0 | 8                  |
| 16.6 | 12.4 | 18.6 | 15.0 | 7                  |
| 14.6 | 10.4 | 16.6 | 13.0 | 6                  |
| 12.6 | 8.4  | 14.6 | 11.0 | 5                  |
| 10.6 | 6.4  | 12.6 | 9.0  | 4                  |
| 8.6  | 4.4  | 10.6 | 7.0  | 3                  |
| 6.6  | 2.4  | 8.6  | 5.0  | 2                  |
| F    | E    | D    | C    | 極数<br>CIRCUIT SIZE |

|   |       |                        |            |   |                 |
|---|-------|------------------------|------------|---|-----------------|
| THIS DRAWING CONTAINS INFORMATION THAT IS PROPRIETARY TO MOLEX ELECTRONIC TECHNOLOGIES, LLC AND SHOULD NOT BE USED WITHOUT WRITTEN PERMISSION |       | CURRENT REV DESC:      |            | <b>molex</b>                                    |                 |
| DIMENSION UNITS   | SCALE |                        |            |   |                 |
| mm  | NTS   |                        |            | MICRO-ONE 2.0W/B<br>HEADER ASSEMBLY RIGHT ANGLE |                 |
| GENERAL TOLERANCES<br>(UNLESS SPECIFIED)  |       |                        |            | PRODUCT CUSTOMER DRAWING                        |                 |
| ANGULAR TOL ± 3.0 °   |       |                        |            | DOCUMENT NUMBER                                 |                 |
| 4 PLACES  | ± 0.2 | EC NO: 713005          | 2022/07/05 | 2059720000-SD                                   |                 |
| 3 PLACES  | ± 0.2 | DRWN: KYAMADA02        | 2022/07/06 | DOC TYPE  | DOC PART        |
| 2 PLACES  | ± 0.2 | CHK'D: AIDA            | 2022/07/06 | PSD   | 000             |
| 1 PLACE   | ± 0.2 | APPR: SAKIYAMA         | 2022/07/06 | REVISION  |                 |
| 0 PLACES  | ± 0.2 | INITIAL REVISION:      |            | D   |                 |
| DRAFT WHERE APPLICABLE<br>MUST REMAIN<br>WITHIN DIMENSIONS  |       | DRWN: TGREGORI         | 2018/02/16 | SHEET NUMBER                                    |                 |
|   |       | APPR: SAKIYAMA         | 2020/07/10 | 2 OF 5  |                 |
|   |       | THIRD ANGLE PROJECTION | DRAWING    | SERIES  | MATERIAL NUMBER |
|   |       | ⊕                      | A3-SIZE    | 205972  | CUSTOMER        |
|   |       |                        |            |   | GENERAL         |

VACUUM AREA



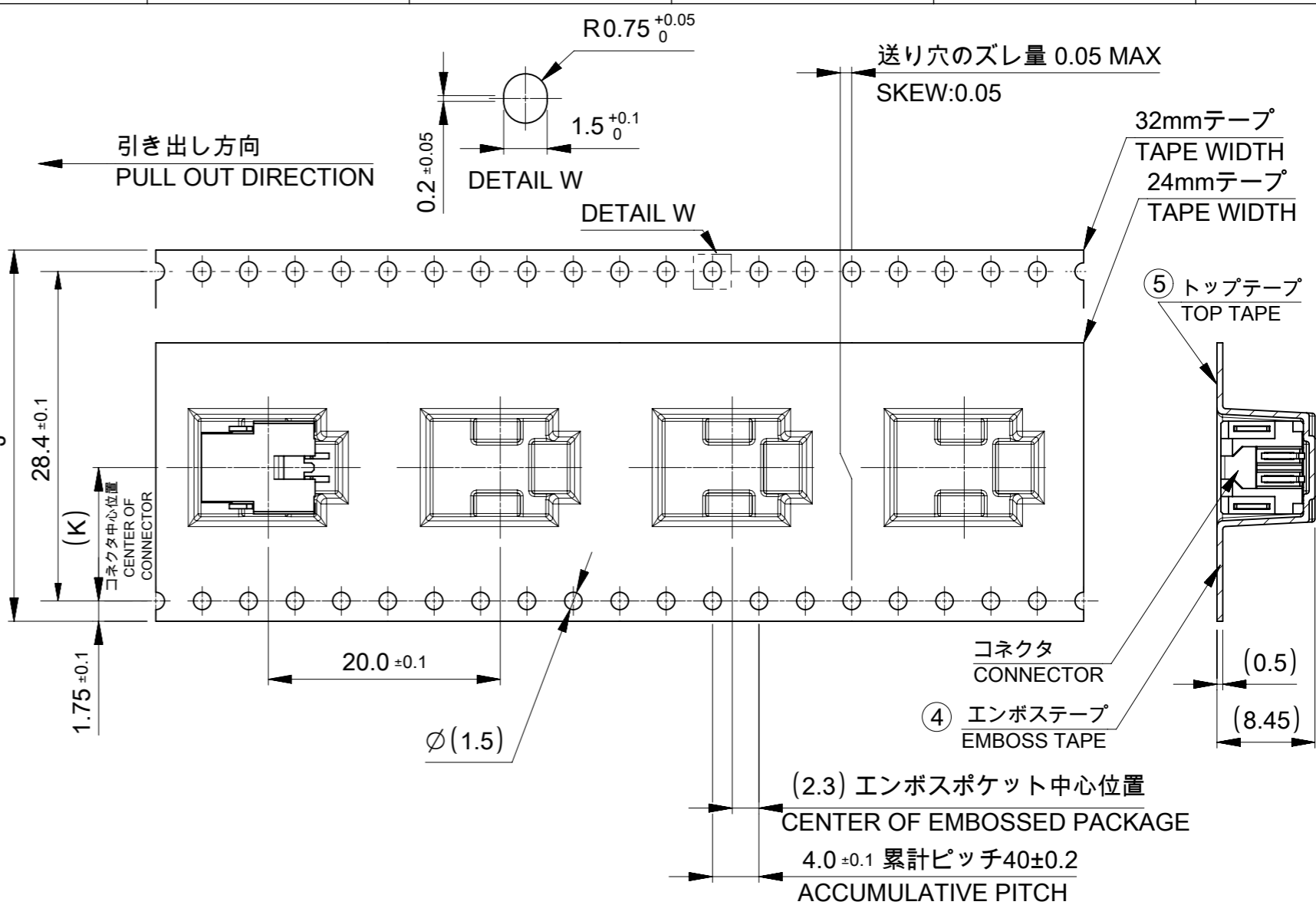
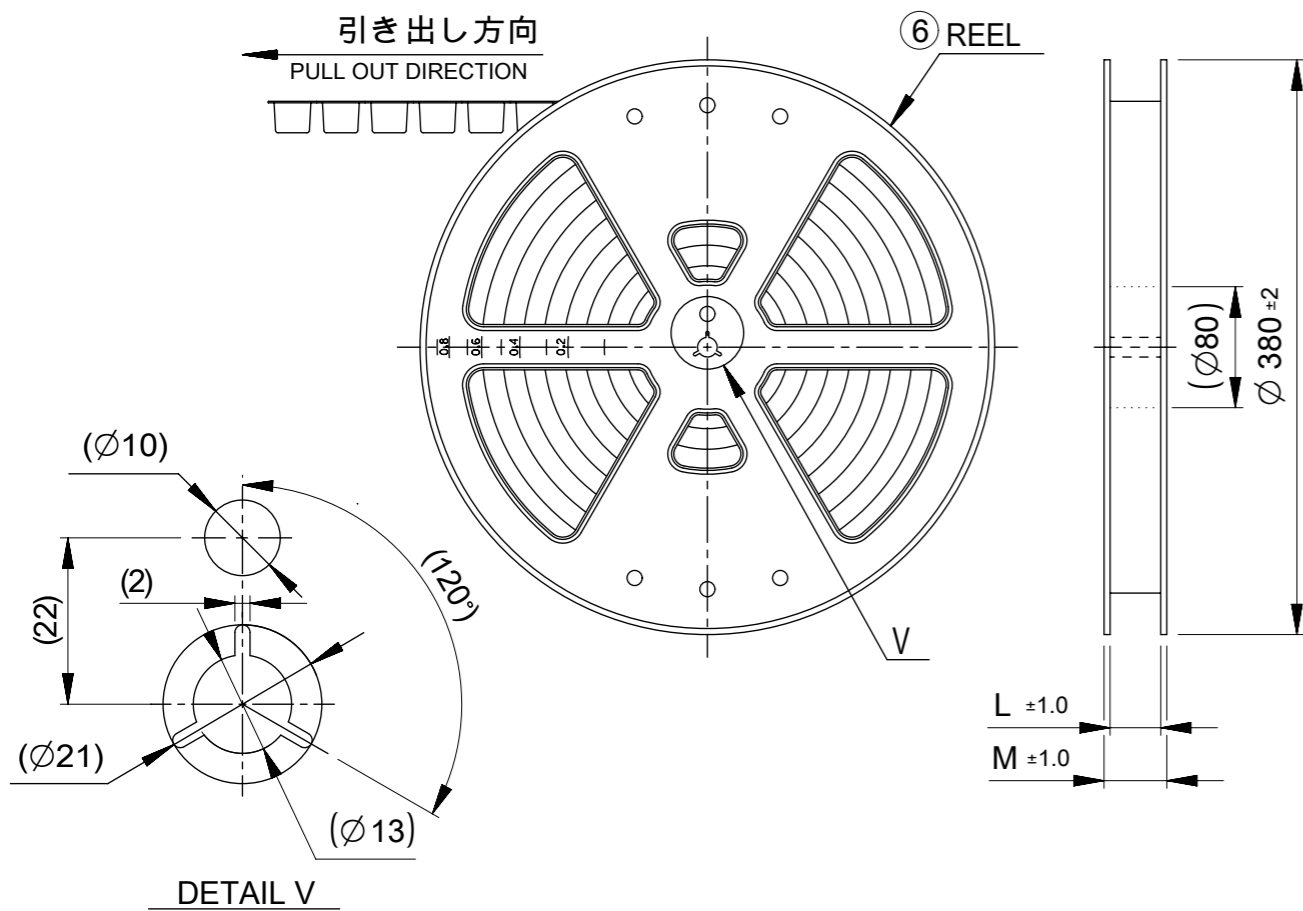
吸着面  
VACUUM AREA



|      |                    |
|------|--------------------|
| 17.0 | 8                  |
| 15.0 | 7                  |
| 13.0 | 6                  |
| 11.0 | 5                  |
| 9.0  | 4                  |
| 7.0  | 3                  |
| 5.0  | 2                  |
| G    | 極数<br>CURCUIT SIZE |

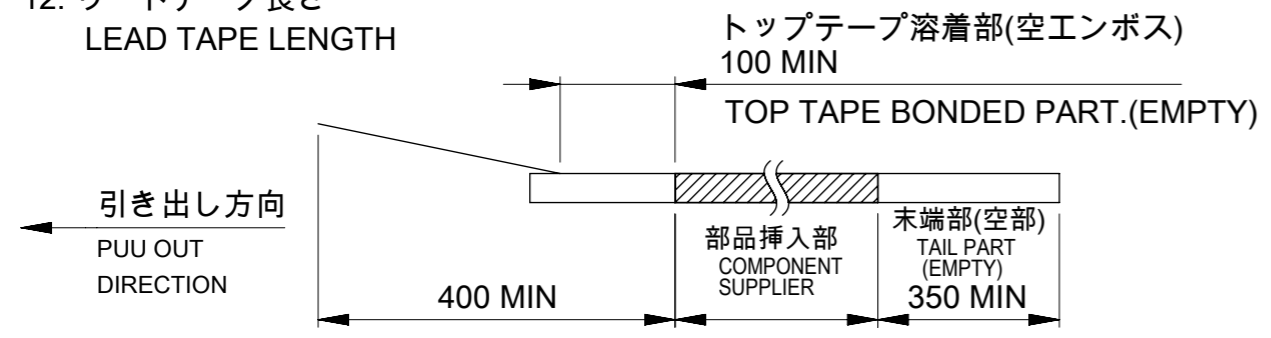
|   |       |                            |         |        |   |  |  |  |  |
|---|-------|----------------------------|---------|--------|---|--|--|--|--|
| THIS DRAWING CONTAINS INFORMATION THAT IS PROPRIETARY TO MOLEX ELECTRONIC TECHNOLOGIES, LLC AND SHOULD NOT BE USED WITHOUT WRITTEN PERMISSION |       |                            |         |        |   |  |  |  |  |
| DIMENSION UNITS   | SCALE | CURRENT REV DESC:          |         |        |   |  |  |  |  |
| mm  | NTS   |                            |         |        |   |  |  |  |  |
| GENERAL TOLERANCES (UNLESS SPECIFIED)   |       | EC NO: 713005              |         |        | MICRO-ONE 2.0W/B<br>HEADER ASSEMBLY RIGHT ANGLE                                 |  |  |  |  |
| ANGULAR TOL ± 3.0 °   |       | DRWN: KYAMADA02 2022/07/05 |         |        |   |  |  |  |  |
| 4 PLACES  | ± 0.2 | CHK'D: AIDA 2022/07/06     |         |        | PRODUCT CUSTOMER DRAWING  |  |  |  |  |
| 3 PLACES  | ± 0.2 | APPR: SAKIYAMA 2022/07/06  |         |        |   |  |  |  |  |
| 2 PLACES  | ± 0.2 | INITIAL REVISION:          |         |        | DOCUMENT NUMBER: 2059720000-SD<br>DOC TYPE: PSD<br>DOC PART: 000<br>REVISION: D |  |  |  |  |
| 1 PLACE   | ± 0.2 | DRWN: TGREGORI 2018/02/16  |         |        |   |  |  |  |  |
| 0 PLACES  | ± 0.2 | APPR: SAKIYAMA 2020/07/10  |         |        | MATERIAL NUMBER: SEE TABLE<br>CUSTOMER: GENERAL<br>SHEET NUMBER: 3 OF 5         |  |  |  |  |
| DRAFT WHERE APPLICABLE MUST REMAIN WITHIN DIMENSIONS  |       | THIRD ANGLE PROJECTION     | DRAWING | SERIES |   |  |  |  |  |
|   |       |                            | A3-SIZE | 205972 |   |  |  |  |  |

|                 |    |              |            |          |
|-----------------|----|--------------|------------|----------|
| DOCUMENT STATUS | P1 | RELEASE DATE | 2022/07/06 | 06:59:18 |
|-----------------|----|--------------|------------|----------|



NOTES

- 11. 梱包数量 : 550個/リール  
NUMBER OF CONNECTORS : 550 PIECES/REEL
- 12. リードテープ長さ  
LEAD TAPE LENGTH



- 13. トップテープの剥離強度はIEC60286-3に準拠。  
TOP TAPE PEELING FORCE IS DEFINED BY IEC60286-3.

△14 発注番号 : SHEET 5 参照  
ORDER No. : PLEASE REFER TO SHEET 5 FOR PRODUCT LIST.

**205972 0 \* \* \***

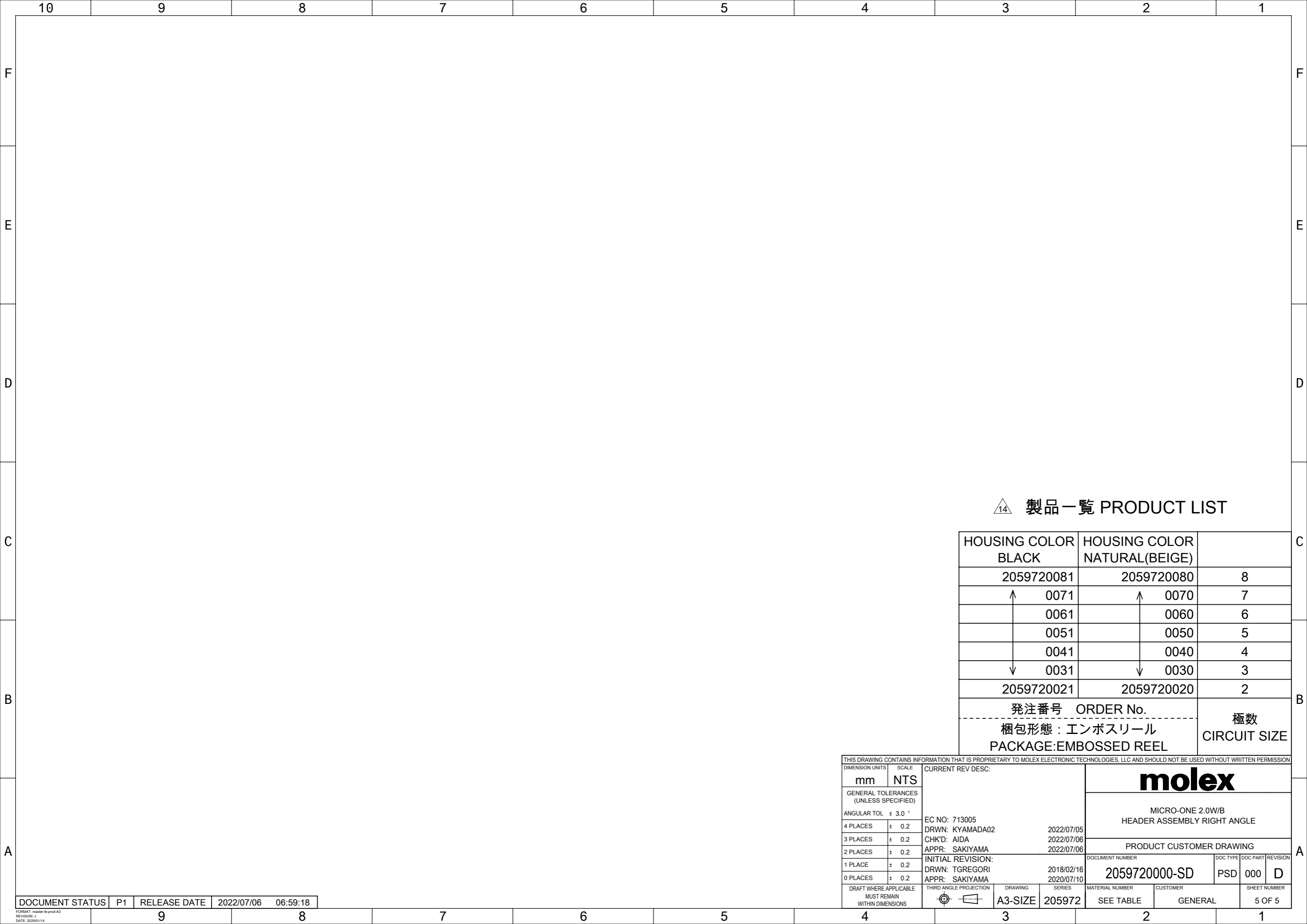
極数  
CIRCUIT SIZE

0 : COLOR NATURAL(BEIGE)  
1 : COLOR BLACK

|      |      |      |                                    |                    |
|------|------|------|------------------------------------|--------------------|
| 37.5 | 33.5 | 14.2 | 32±0.3                             | 8                  |
|      |      |      |                                    | 7                  |
|      |      |      |                                    | 6                  |
| 29.5 | 25.5 | 11.5 | 24 <sup>+0.3</sup> <sub>-0.1</sub> | 5                  |
|      |      |      |                                    | 4                  |
|      |      |      |                                    | 3                  |
|      |      |      |                                    | 2                  |
| M    | L    | K    | エンボステープ幅 J<br>WIDTH OF TAPE        | 極数<br>CIRCUIT SIZE |

| 番号<br>No. | 部品<br>PART             | 材質<br>MATERIAL  |
|-----------|------------------------|---|
| ④         | エンボステープ<br>EMBOSS TAPE | ポリスチレン(PS),その他<br>POLYSTYRENE(PS),etc                                       |
| ⑤         | トップテープ<br>TOP TAPE     | ポリエチレン(PE),その他<br>POLYETHYLENE(PE),etc                                      |
| ⑥         | リール<br>REEL            | ポリスチレン(PS) <リサイクル材を含む><br>POLYSTYRENE(PS) < RECYCLE<br>MATERIAL CONTAINED > |

|   |              |                            |         |   |                 |
|---|--------------|----------------------------|---------|---|-----------------|
| THIS DRAWING CONTAINS INFORMATION THAT IS PROPRIETARY TO MOLEX ELECTRONIC TECHNOLOGIES, LLC AND SHOULD NOT BE USED WITHOUT WRITTEN PERMISSION |              | CURRENT REV DESC:          |         | <b>molex</b>                                    |                 |
| DIMENSION UNITS<br>mm   | SCALE<br>NTS |                            |         |   |                 |
| GENERAL TOLERANCES (UNLESS SPECIFIED)   |              | EC NO: 713005              |         | MICRO-ONE 2.0W/B<br>HEADER ASSEMBLY RIGHT ANGLE |                 |
| ANGULAR TOL ± 3.0 °   |              | DRWN: KYAMADA02 2022/07/05 |         | PRODUCT CUSTOMER DRAWING                        |                 |
| 4 PLACES ± 0.2  |              | CHK'D: AIDA 2022/07/06     |         | DOCUMENT NUMBER                                 |                 |
| 3 PLACES ± 0.2  |              | APPR: SAKIYAMA 2022/07/06  |         | DOC TYPE  |                 |
| 2 PLACES ± 0.2  |              | INITIAL REVISION:          |         | DOC PART  |                 |
| 1 PLACE ± 0.2   |              | DRWN: TGREGORI 2018/02/16  |         | REVISION  |                 |
| 0 PLACES ± 0.2  |              | APPR: SAKIYAMA 2020/07/10  |         | 2059720000-SD                                   |                 |
| DRAFT WHERE APPLICABLE<br>MUST REMAIN<br>WITHIN DIMENSIONS  |              | THIRD ANGLE PROJECTION     | DRAWING | SERIES  | MATERIAL NUMBER |
|   |              |                            | A3-SIZE | 205972  | CUSTOMER        |
|   |              |                            |         |   | GENERAL         |
|   |              |                            |         |   | SHEET NUMBER    |
|   |              |                            |         |   | 4 OF 5          |



△14 製品一覧 PRODUCT LIST

| HOUSING COLOR<br>BLACK                | HOUSING COLOR<br>NATURAL(BEIGE) |                    |
|---------------------------------------|---------------------------------|--------------------|
| 2059720081                            | 2059720080                      | 8                  |
| ↑ 0071                                | ↑ 0070                          | 7                  |
| 0061                                  | 0060                            | 6                  |
| 0051                                  | 0050                            | 5                  |
| 0041                                  | 0040                            | 4                  |
| ↓ 0031                                | ↓ 0030                          | 3                  |
| 2059720021                            | 2059720020                      | 2                  |
| 発注番号 ORDER No.                        |                                 | 極数<br>CIRCUIT SIZE |
| 梱包形態：エンボスリール<br>PACKAGE:EMBOSSED REEL |                                 |                    |

|   |         |                        |         |        |                 |                 |   |              |          |
|---|---------|------------------------|---------|--------|-----------------|-----------------|---|--------------|----------|
| THIS DRAWING CONTAINS INFORMATION THAT IS PROPRIETARY TO MOLEX ELECTRONIC TECHNOLOGIES, LLC AND SHOULD NOT BE USED WITHOUT WRITTEN PERMISSION |         |                        |         |        |                 |                 |   |              |          |
| DIMENSION UNITS   | SCALE   | CURRENT REV DESC:      |         |        |                 |                 | <b>molex</b>                                    |              |          |
| mm  | NTS     |                        |         |        |                 |                 |   |              |          |
| GENERAL TOLERANCES (UNLESS SPECIFIED)   |         |                        |         |        |                 |                 | MICRO-ONE 2.0W/B<br>HEADER ASSEMBLY RIGHT ANGLE |              |          |
| ANGULAR TOL   | ± 3.0 ° |                        |         |        |                 |                 | PRODUCT CUSTOMER DRAWING                        |              |          |
| 4 PLACES  | ± 0.2   | EC NO: 713005          |         |        |                 |                 |   |              |          |
| 3 PLACES  | ± 0.2   | DRWN: KYAMADA02        |         |        | 2022/07/05      |                 |   |              |          |
| 2 PLACES  | ± 0.2   | CHK'D: AIDA            |         |        | 2022/07/06      |                 |   |              |          |
| 1 PLACE   | ± 0.2   | APPR: SAKIYAMA         |         |        | 2022/07/06      |                 |   |              |          |
| 0 PLACES  | ± 0.2   | INITIAL REVISION:      |         |        |                 | DOCUMENT NUMBER | DOC TYPE  | DOC PART     | REVISION |
|   |         | DRWN: TGGREGORI        |         |        | 2018/02/16      | 2059720000-SD   | PSD   | 000          | D        |
|   |         | APPR: SAKIYAMA         |         |        | 2020/07/10      |                 |   |              |          |
| DRAFT WHERE APPLICABLE<br>MUST REMAIN<br>WITHIN DIMENSIONS  |         | THIRD ANGLE PROJECTION | DRAWING | SERIES | MATERIAL NUMBER | CUSTOMER        |   | SHEET NUMBER |          |
|   |         |                        | A3-SIZE | 205972 | SEE TABLE       | GENERAL         |   | 5 OF 5       |          |

|                 |    |              |            |          |
|-----------------|----|--------------|------------|----------|
| DOCUMENT STATUS | P1 | RELEASE DATE | 2022/07/06 | 06:59:18 |
|-----------------|----|--------------|------------|----------|