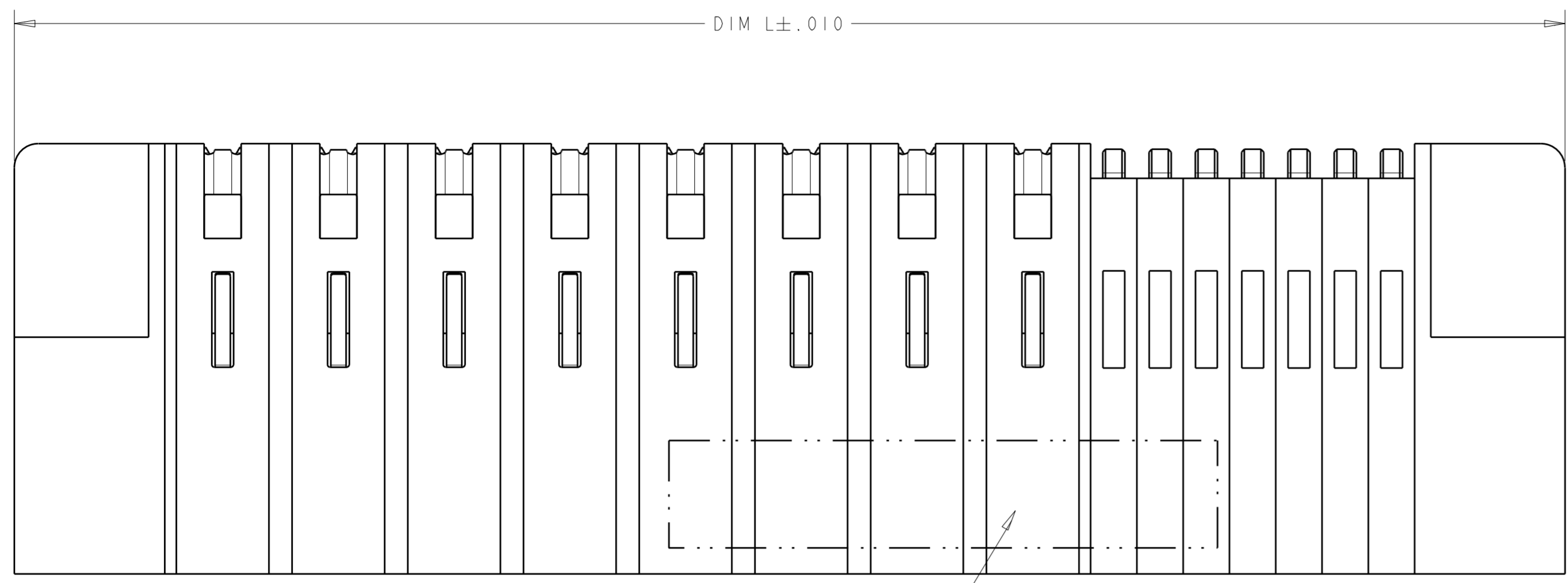
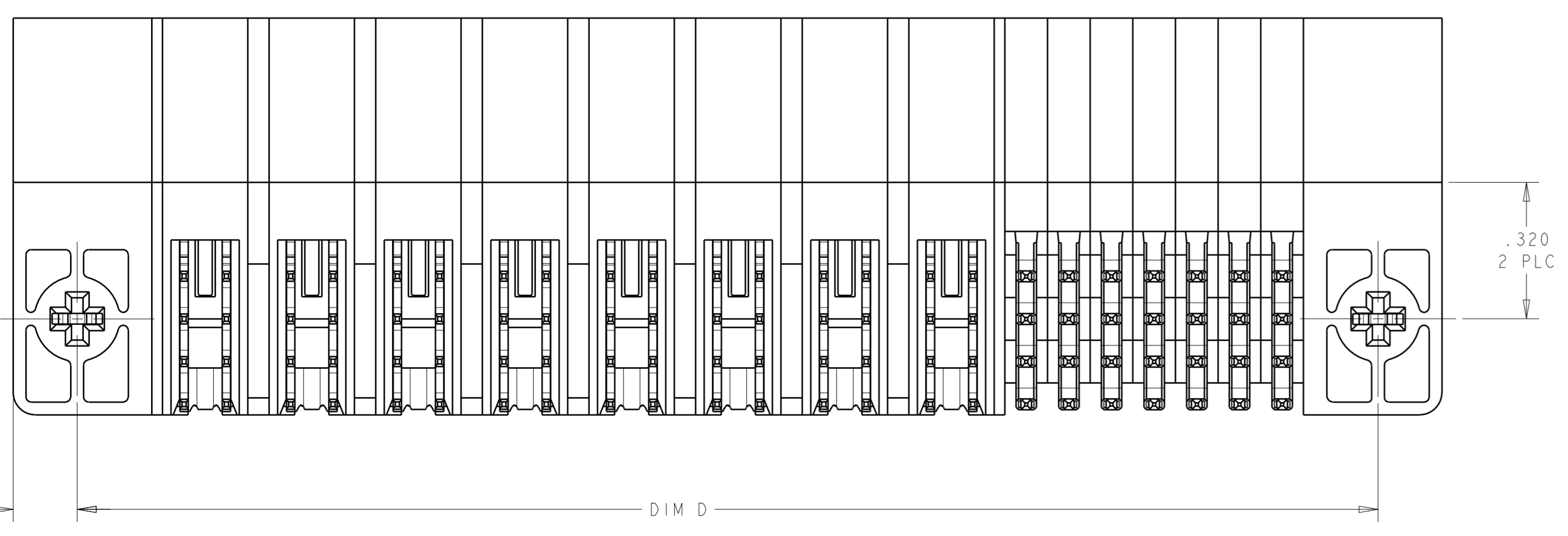
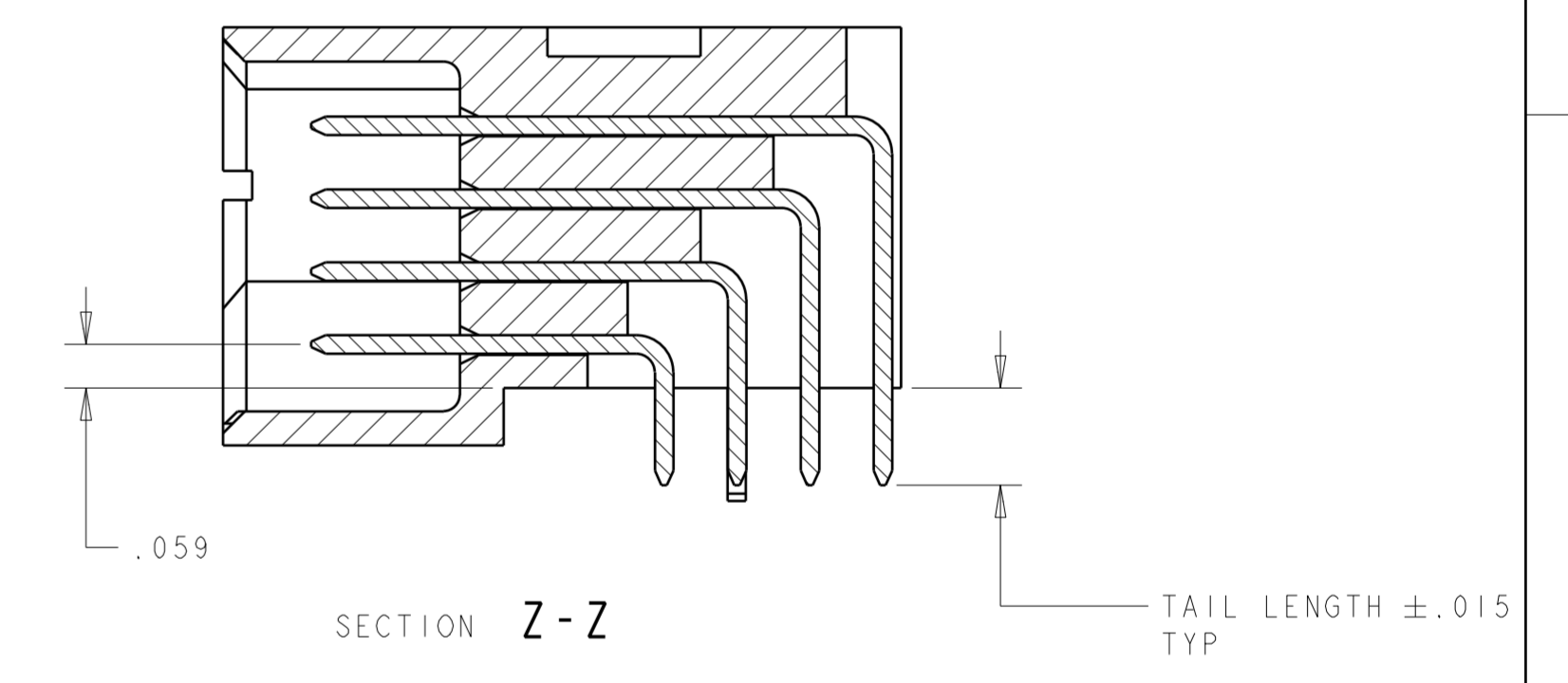
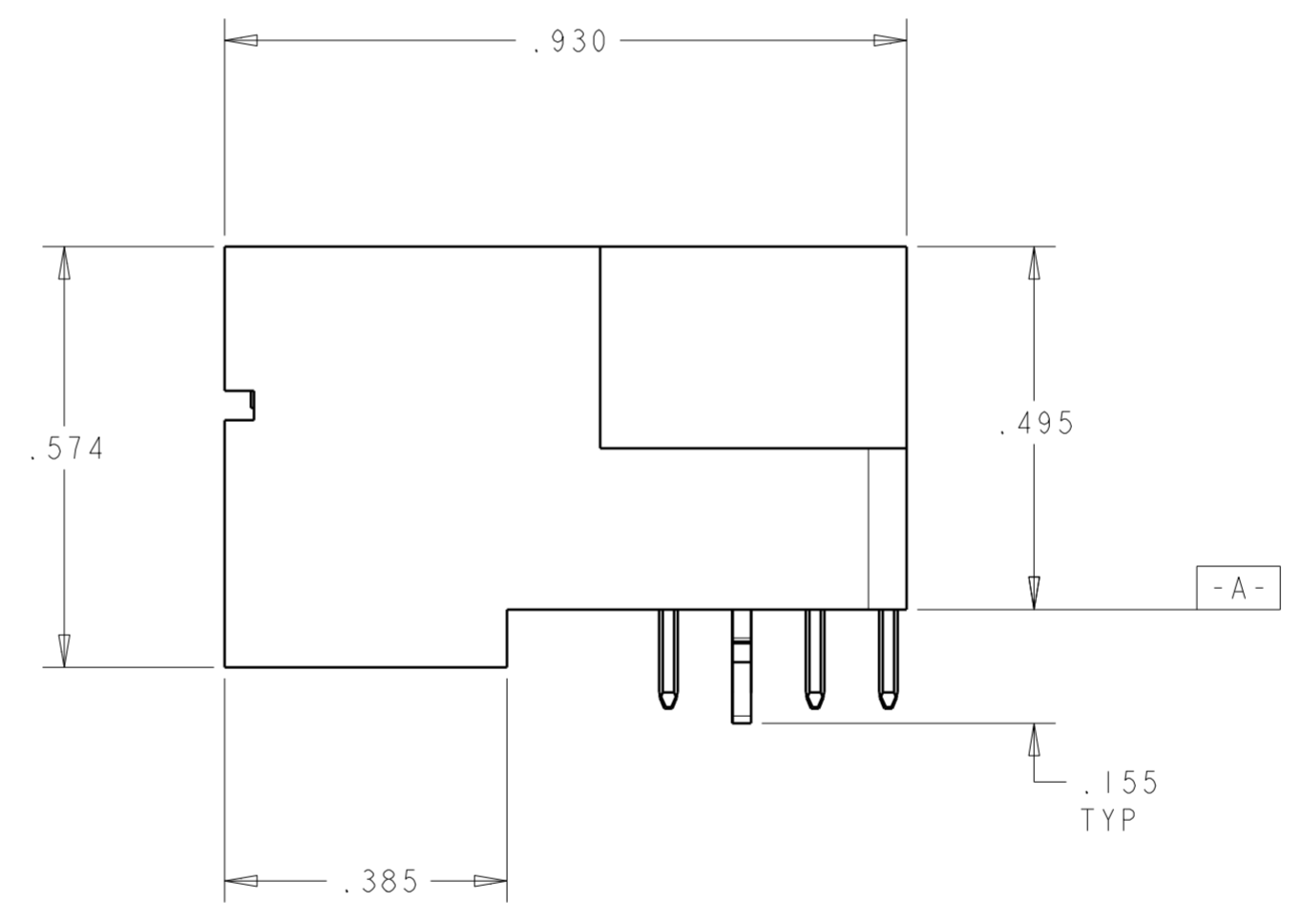
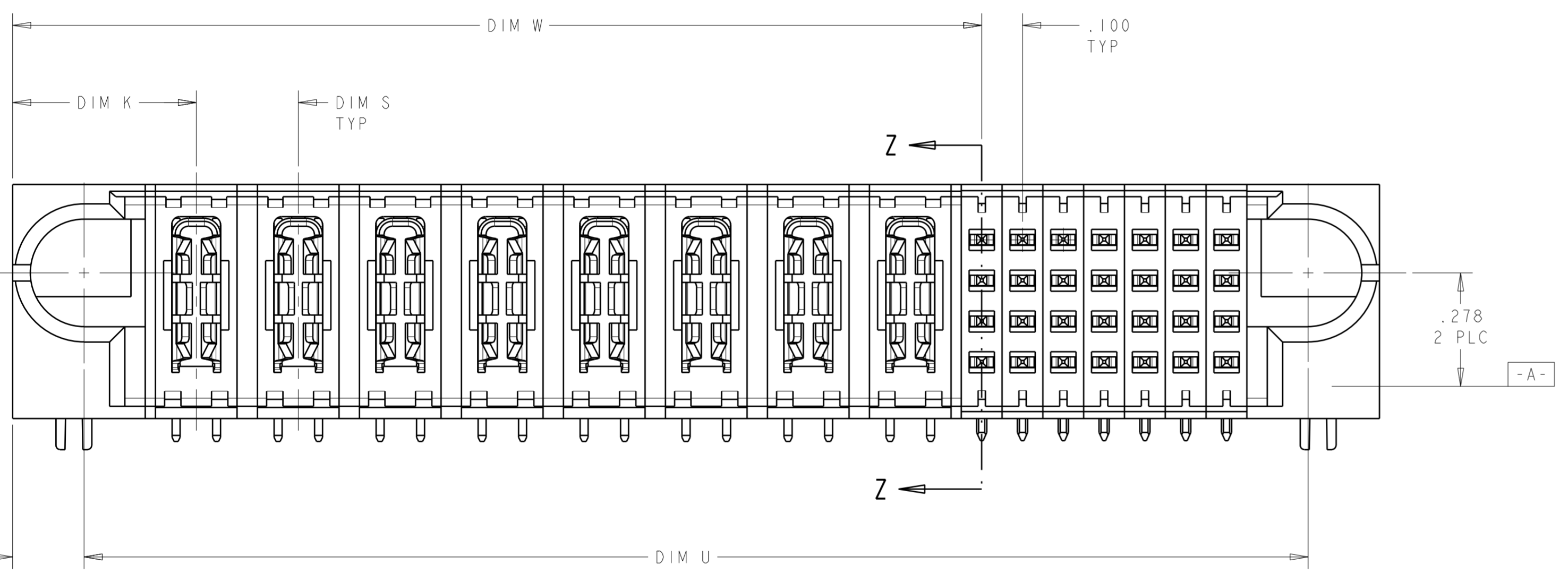


LOC		DIST		REVISIONS			
ES	00	P	LTR	DESCRIPTION	DATE	DWN	APVD
		A		PRELIMINARY RELEASE	17AUG2006	CZ	SY



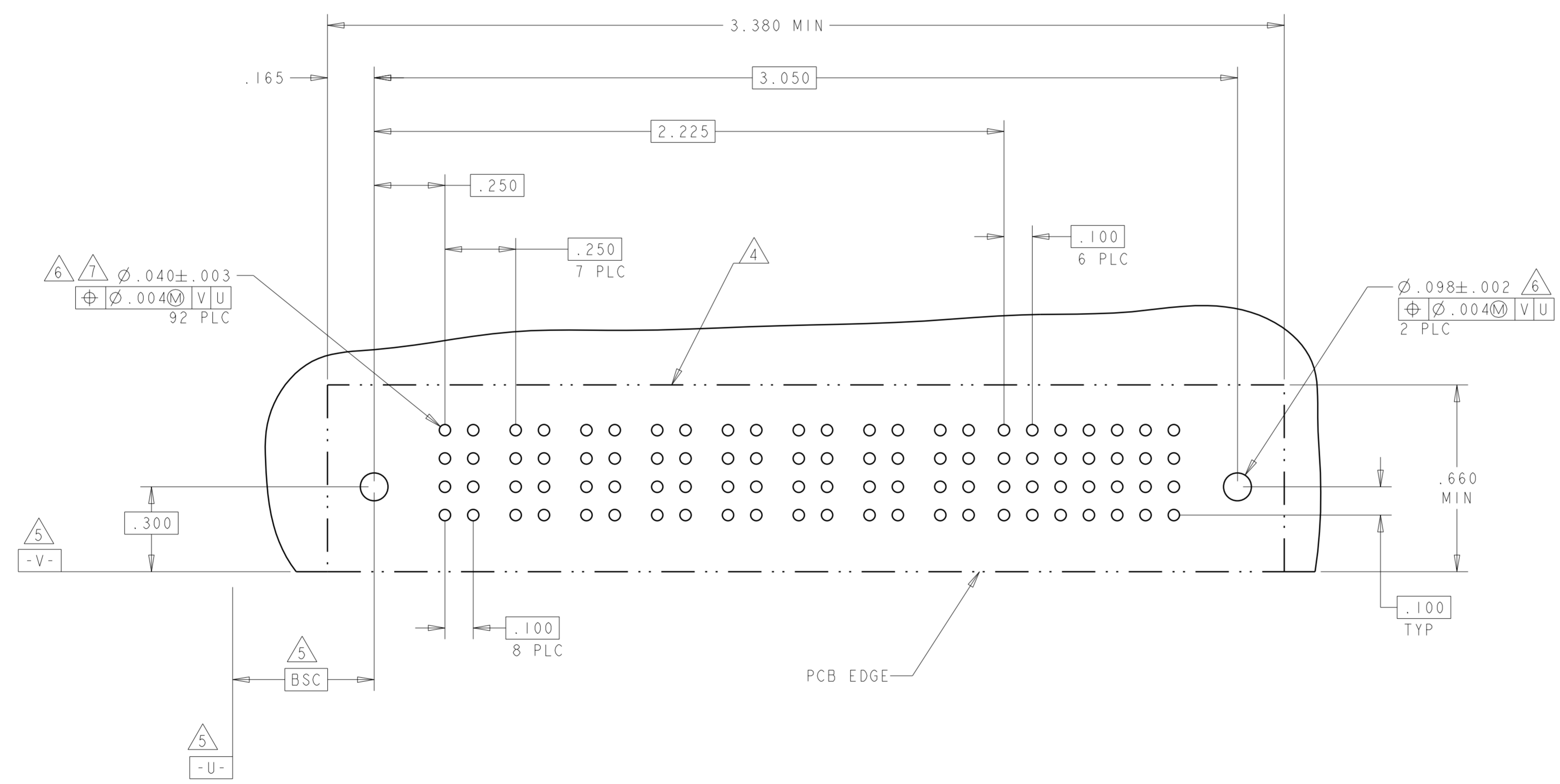
- 1 "AMP" TRADEMARK, PART NUMBER, AND DATE CODE TO BE MARKED IN AREA SHOWN.
- 2 MATERIAL:
HOUSING - GLASS FILLED HIGH TEMP THERMO PLASTIC, UL94 V-0
SIGNAL CONTACT - COPPER ALLOY
POWER CONTACT - HIGH CONDUCTIVITY COPPER ALLOY
- 3 CONTACT PLATING:
SIGNAL CONTACTS- .000050 MIN Ni UNDER ALL
.000030 MIN Au ON CONTACT AREA
.000100 MIN Sn AT PCB INTERFACE
POWER CONTACTS- .000050 MIN Ni UNDER ALL
.000030 MIN Au AT CONTACT AREA
.000100 MIN Sn AT PCB INTERFACE
- 4 MECHANICAL CONNECTOR KEEP OUT ZONE
- 5 DATUM AND BASIC DIMENSIONS ESTABLISHED BY CUSTOMER
- 6 PCB - ALL HOLE DIAMETERS ARE FINISHED HOLE SIZES
- 7 PCB - .0453+/- .0010 DRILLED HOLES PLATED WITH .0003 MIN Sn OVER .001 TO .003 PLATING TO ACHIEVE A .040 DIA HOLE



3.000	.250	2.375	3.050	.450	3.350	8P + 28S	1892202-1
DIM U	DIM S	DIM W	DIM D	DIM K	DIM L	DESCRIPTION	PART NUMBER
<small>THIS DRAWING IS A CONTROLLED DOCUMENT FOR TYCO ELECTRONICS CORPORATION. IT IS SUBJECT TO CHANGE AND THE CONTROLLING AND REVISION INFORMATION SHOULD BE CONTACTED FOR THE LATEST REVISION.</small>							
DIMENSIONS: INCHES		TOLERANCES UNLESS OTHERWISE SPECIFIED:		DWN: 17AUG2006 CECILY.ZHOU		NAME: Tyco Electronics incorporated Shanghai, P.R.China, 200233	
		0 PLC ± 1 PLC ± 2 PLC ±.01 3 PLC ±.005 4 PLC ±.0020 ANGLES #2		CHN: 17AUG2006 S.ZHAO APVD: S.YAO PRODUCT SPEC: 108-1973 APPLICATION SPEC: 114-13038 WEIGHT: -		RIGHT ANGLE HEADER ASSEMBLY W/GUIDES MULTI-BEAM XL SIZE: A1 CASE CODE: 00779 DRAWING NO: C-1892202 RESTRICTED TO: -	
MATERIAL: 2		FINISH: 3		CUSTOMER DRAWING		SCALE: 4:1 SHEET 1 OF 2 REV A	

LOC	DIST	REVISIONS					
ES	00	PT	LTR	DESCRIPTION	DATE	DWN	APVD
				SEE SHEET J			

PART NUMBER	ROWS	POWER								SIGNAL						
		P1	P2	P3	P4	P5	P6	P7	P8	1	2	3	4	5	6	7
1892202-1	D C B A	TM	TM	TM	TM	TM	TM	TM	TM	E	E	E	E	E	E	E
		TM	TM	TM	TM	TM	TM	TM	TM	F	F	F	F	F	F	F
		TM	TM	TM	TM	TM	TM	TM	TM	G	G	G	G	G	G	G
		TM	TM	TM	TM	TM	TM	TM	TM	S	S	S	S	H	H	H
8P + 28S																



TM	.135
CODE	TAIL LENGTH
POWER CONTACT	

CODE	MATING SEQUENCE	TAIL LENGTH	ROW
E	MLBF	.135	D
F	MLBF	.135	C
G	MLBF	.135	B
H	MLBF	.135	A
J	STD	.135	D
K	STD	.135	C
N	STD	.135	B
S	STD	.135	A
SIGNAL CONTACT			

<small>THIS DRAWING IS A CONTROLLED DOCUMENT FOR TYCO ELECTRONICS CORPORATION. IT IS SUBJECT TO CHANGE AND THE CONTROLLING ENGINEERING DEPARTMENT SHOULD BE CONTACTED FOR THE LATEST REVISION.</small>		DWN: CECILY.ZHOU CHK: S.ZHAO DATE: 17AUG2006	NAME: S.YAO PRODUCT SPEC: 108-1973 APPLICATION SPEC: 114-13038	Tyco Electronics incorporated Shanghai, P.R.China.200233
DIMENSIONS: INCHES 	TOLERANCES UNLESS OTHERWISE SPECIFIED: 0 PLC ± 1 PLC ±.01 2 PLC ±.015 3 PLC ±.005 4 PLC ±.0020 ANGLES #2	MATERIAL: - FINISH: -	SIZE: A1 CASE CODE: 00779 DRAWING NO: C-1892202	RESTRICTED TO: - SCALE: 3:1 SHEET: 2 OF 2 REV: A
CUSTOMER DRAWING				