

Cable gland - G-INESR-M25-M68N-NEPDS-S - 1415193

Please be informed that the data shown in this PDF Document is generated from our Online Catalog. Please find the complete data in the user's documentation. Our General Terms of Use for Downloads are valid (<http://phoenixcontact.com/download>)



Cable gland, cable gland material: Nickel-plated brass, external cable diameter 9 mm ... 17 mm, shielding: no, connecting thread: M25 x 1.5, color: silver, with external strain relief, with O-ring

Your advantages

- Weatherproof sealing material
- Halogen-free

Key Commercial Data

Packing unit	5 pc
GTIN	
GTIN	4055626038216

Technical data

Dimensions

Length	42 mm
Length without connecting thread	35 mm
Wrench size, union nut	29 mm
Wrench size, support	29 mm
Hexagon angular dimension	32 mm
Length of the connecting thread	7 mm
Feed-through hole diameter	25.1 mm ... 25.2 mm
External cable diameter	9 mm ... 17 mm
	7.5 mm ... 11.3 mm (for UL 514 B)
Clamping range of the strain relief clip	9.00 mm ... 17.00 mm

Ambient conditions

Degree of protection (IP)	IP68 (5 bar / 0.5 h)
	IP69 (DIN EN 60529 / IEC 60529)
Ambient temperature (operation)	-40 °C ... 100 °C (static)

Cable gland - G-INESR-M25-M68N-NEPDS-S - 1415193

Technical data

General

Type	with external strain relief
No. of conductors	1
Cable gland material	Nickel-plated brass
Material, insert	PA
Cable seal material	EPDM
O-ring material	EPDM
Shielded	no
Thread type connection side	M25 x 1.5
Thread type on connection side	M25
Torque	10 Nm (Union nut: EN 62444)
	10 Nm (Support: EN 62444)
	0.4 Nm (Screw for clip)
Color	silver
Impact category	6
Execution of the strain relief	B
Manufacturer	WISKA
Manufacturer Designation	EMSKVZ 25

Standards and Regulations

Halogen-free	yes
--------------	-----

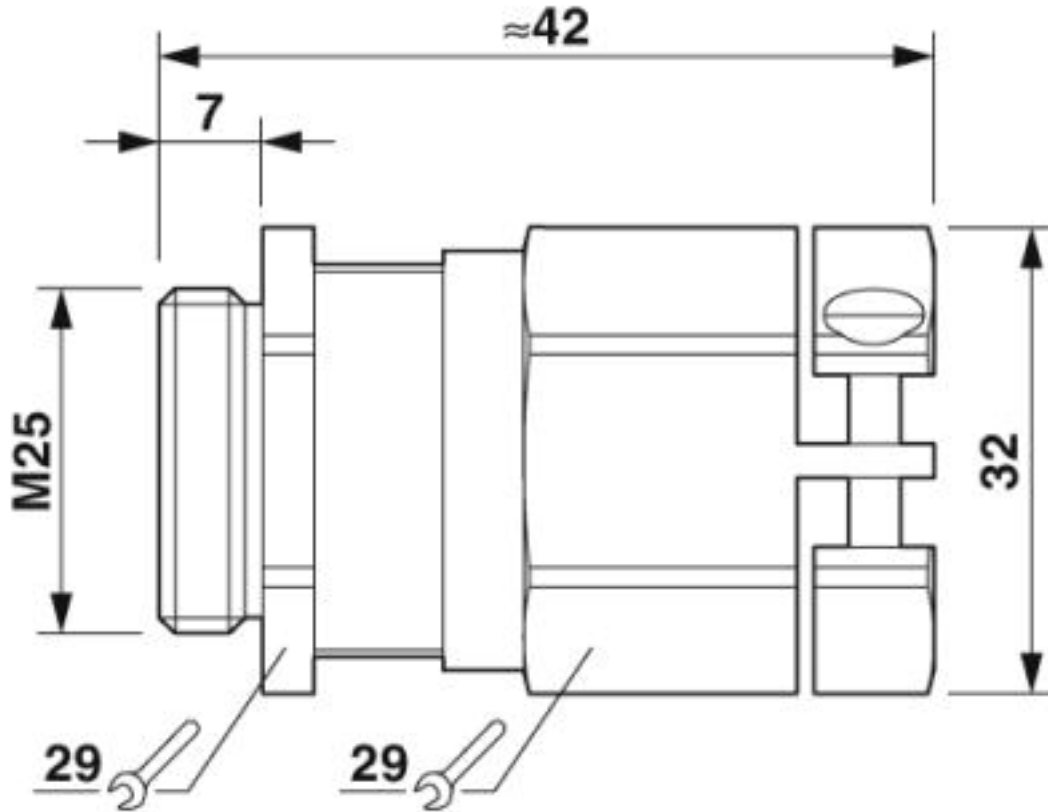
Environmental Product Compliance

REACH SVHC	Lead 7439-92-1
China RoHS	Environmentally Friendly Use Period = 50
	For details about hazardous substances go to tab "Downloads", Category "Manufacturer's declaration"

Drawings

Cable gland - G-INESR-M25-M68N-NEPDS-S - 1415193

Dimensional drawing



Approvals

Approvals

Approvals

UL Recognized / cUL Recognized / GOST-R / cULus Recognized

Ex Approvals

Approval details

UL Recognized		http://database.ul.com/cgi-bin/XYV/template/LISEXT/1FRAME/index.htm	E179850
---------------	--	---	---------

cUL Recognized		http://database.ul.com/cgi-bin/XYV/template/LISEXT/1FRAME/index.htm	E179850
----------------	--	---	---------

Cable gland - G-INESR-M25-M68N-NEPDS-S - 1415193

Approvals

GOST-R



POCC
DE.A*98.H12052

cULus Recognized



Phoenix Contact 2019 © - all rights reserved
<http://www.phoenixcontact.com>

PHOENIX CONTACT GmbH & Co. KG
Flachsmarktstr. 8
32825 Blomberg
Germany
Tel. +49 5235 300
Fax +49 5235 3 41200
<http://www.phoenixcontact.com>