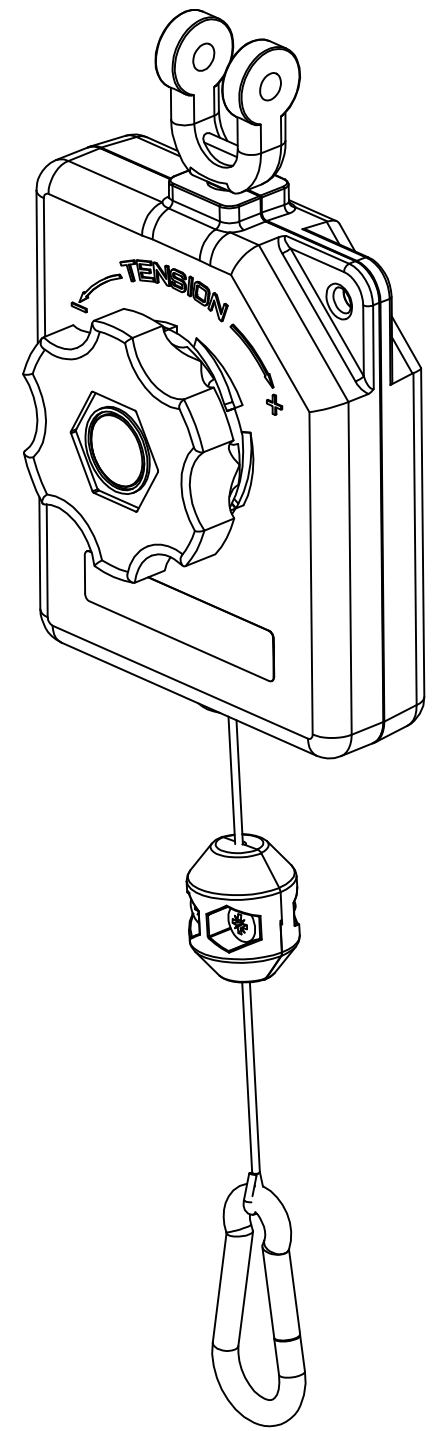
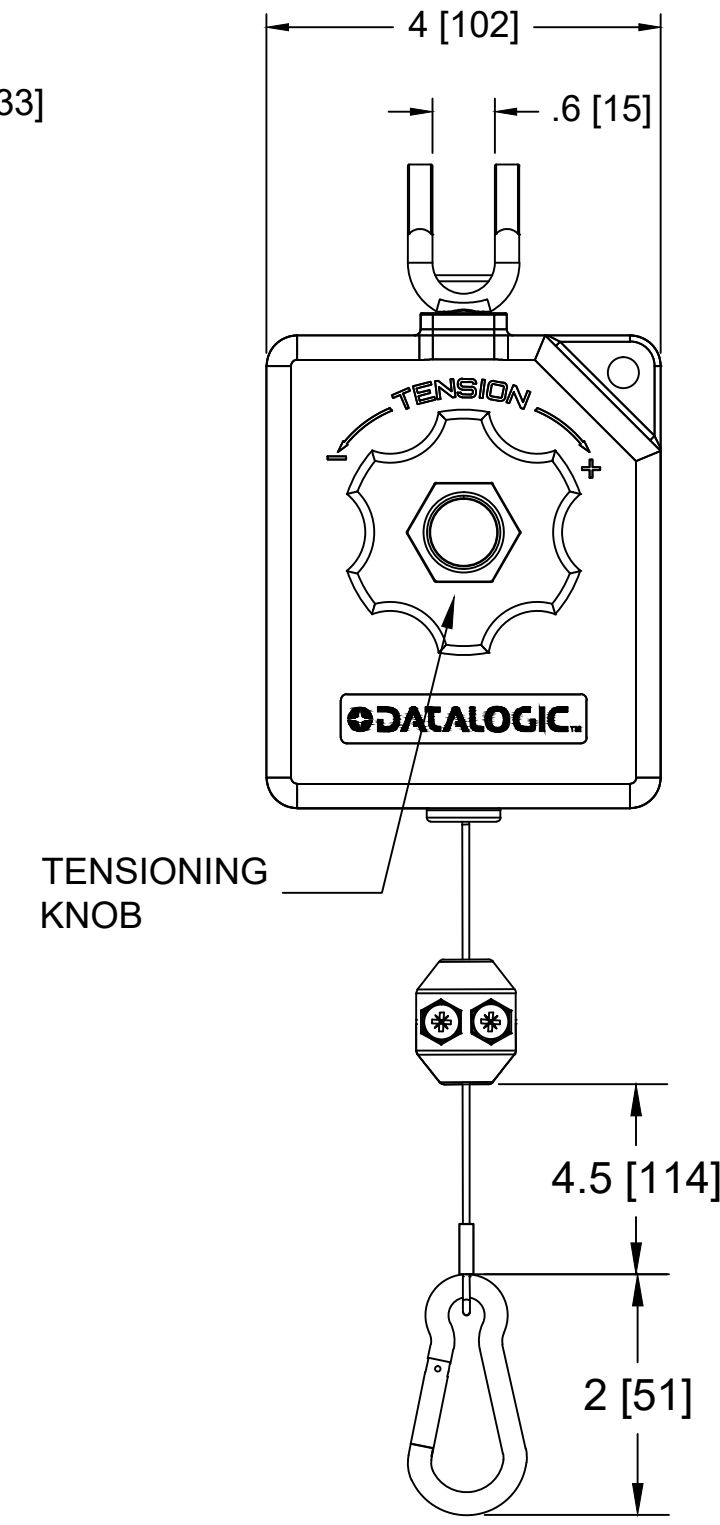
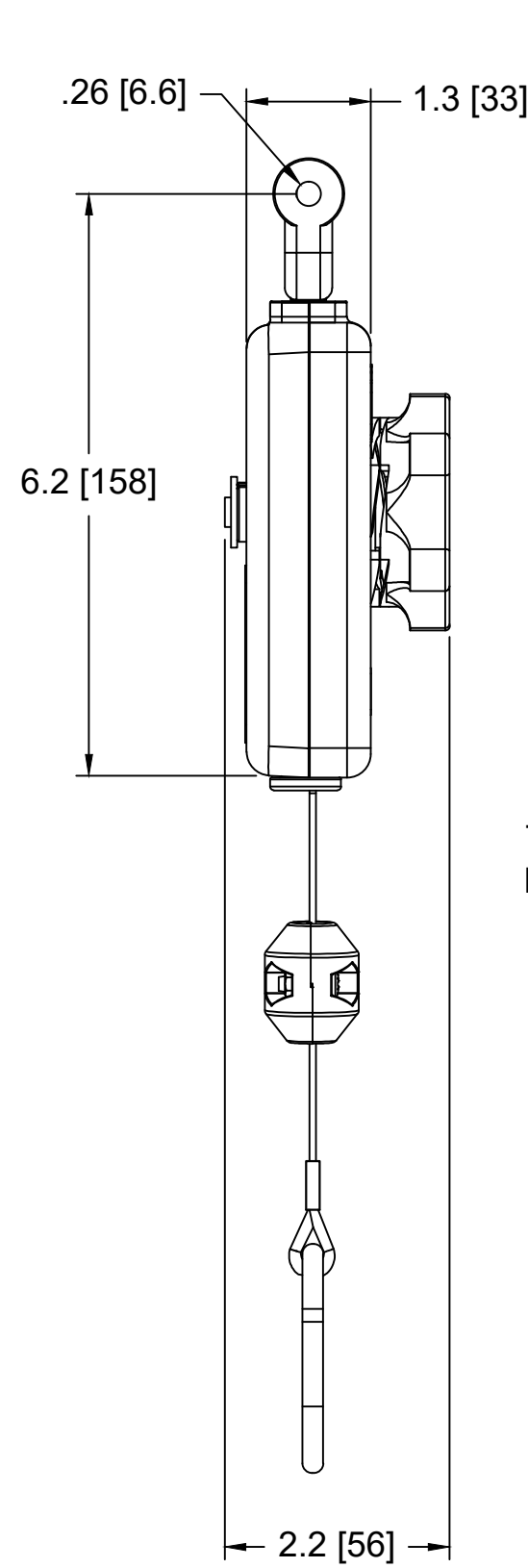
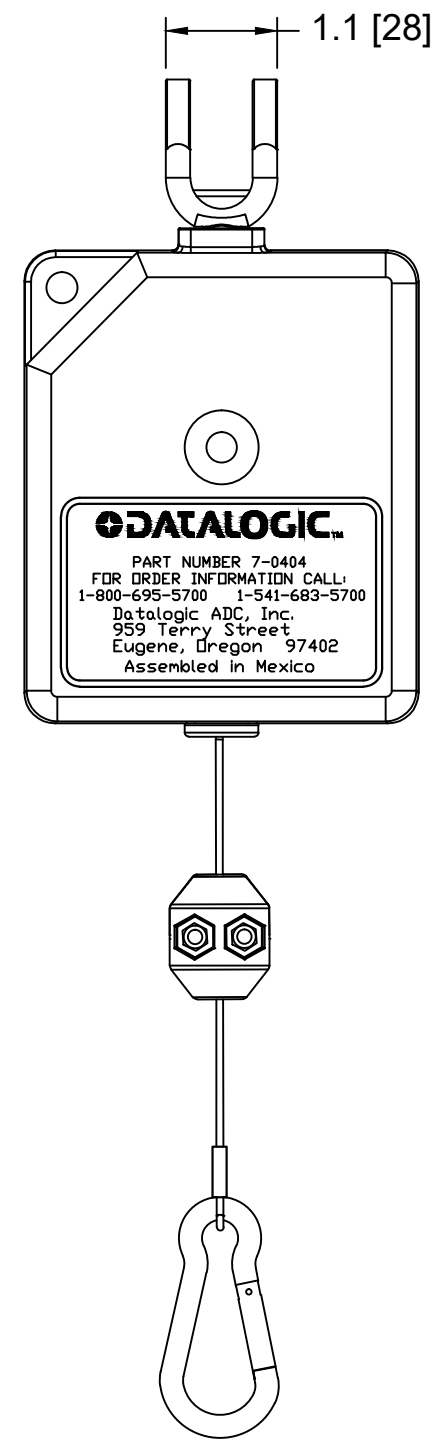


**SHIPPING, PACKET AND LABELING**  
 THE REVISION ON THE LABELS WILL BE "E"

REFERENCES DATALOGIC STANDARD (DR6800001) "SUPPLIER PACKAGING" REVISION "U" AND "SUPPLIER SHIPMENT ROUTING INSTRUCTION" (DR4200286) REVISION "E".

**NOTES:**

1. RETRACTORS ARE 100% INSPECTED & PRE-TENSIONED AT FACTORY.
2. HOUSINGS ARE MADE OF GENERAL PURPOSE ABS TO MEET HARSH INDUSTRIAL ENVIRONMENTS.
3. ALWAYS READ INSTRUCTIONS MANUAL BEFORE USING RETRACTORS.
4. RETRACTORS ARE NOT TO BE USED AS BALANCERS THEIR MAIN PURPOSE BEING TO RETRACT A LOAD AND NOT TO BALANCE ONE.
5. OVERALL DIMENSIONS ARE FOR REFERENCE ONLY.
6. RETRACTORS COME WITH A CLEVIS PIN & A COTTER PIN
7. MANUFACTURE USING DATALOGIC ARTWORK DR1500101 AND DR1500102
8. RETRACTOR HOUSING FINISH: BLACK



INDIVIDUAL BOX LABEL 2X3



MASTER PACK BOX LABEL 4X4



MOLEX MASTER PACK BOX LABEL 2X3



SHIPPING/PALLET LABEL 4X4



ADD 2x3 MASTER PACK LABL EC NO: IPG2017-1071 DRWN: VOU 5/23/17 CH'KD: BPATTERS 2017/05/23 APPR: JFMURPHY 2011/06/08	QUALITY SYMBOL	GENERAL TOLERANCES (UNLESS SPECIFIED)		DIMENSION STYLE INCH		SCALE NTS	DESIGN UNITS INCH	THIRD ANGLE PROJECTION	
	▽=0	4 PLACES	±---	±---	DRAWN BY DATE	TITLE			
	∇=0	3 PLACES	±---	±.005	MCHOJECK 2011/05/24	RB2 BALANCER			
		2 PLACES	±---	±.010	CHECKED BY DATE	DATALOGIC SCANNING			
		1 PLACE	±---	±.020	DT 2011/05/24	RB2DLS			
		ANGULAR ±1/2°		APPROVED BY DATE	molex		MOLEX INCORPORATED		
		DRAFT WHERE APPLICABLE MUST REMAIN WITHIN DIMENSIONS		MATERIAL NO.	DOCUMENT NO.		SHEET NO.		
				1301730082	RSD-130173-082		1 OF 1		
				SIZE C	THIS DRAWING CONTAINS INFORMATION THAT IS PROPRIETARY TO MOLEX INCORPORATED AND SHOULD NOT BE USED WITHOUT WRITTEN PERMISSION				