

MATERIALS AND FINISHES

BODY, ZINC ALLOY
PLATED BRIGHT TIN

CENTER CONTACT, BRASS
PLATED GOLD

OUTER CASING, HIGH TEMPERATURE PLASTIC
KEYING SEE TABLE
COLOR SEE TABLE

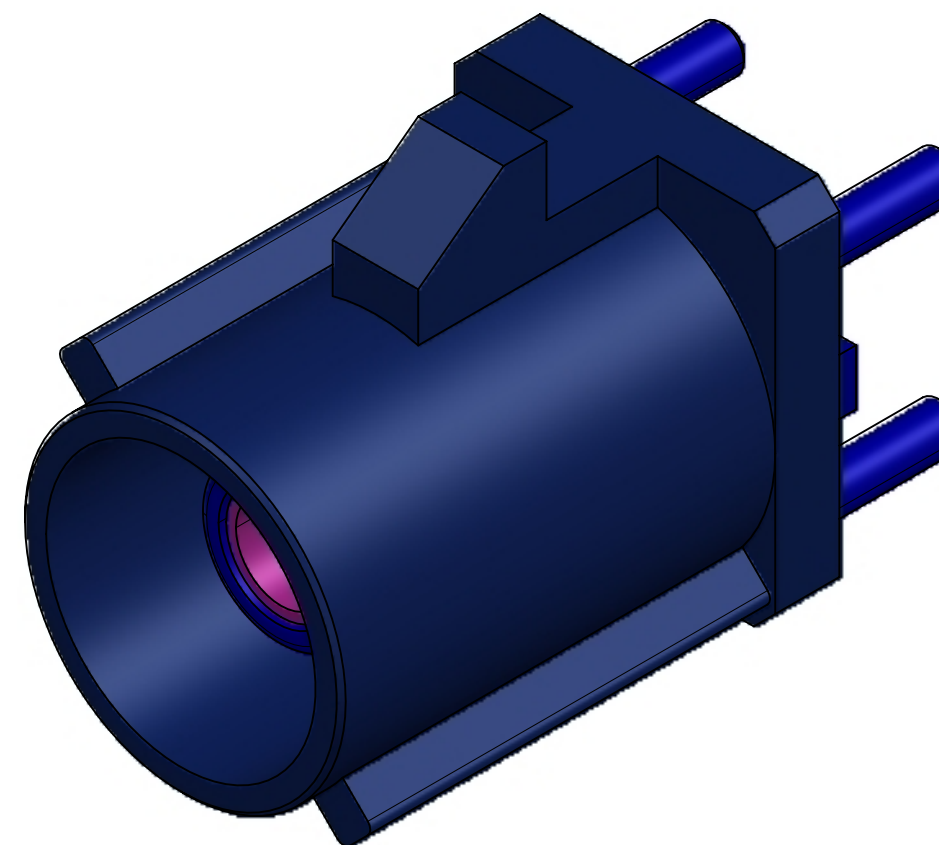
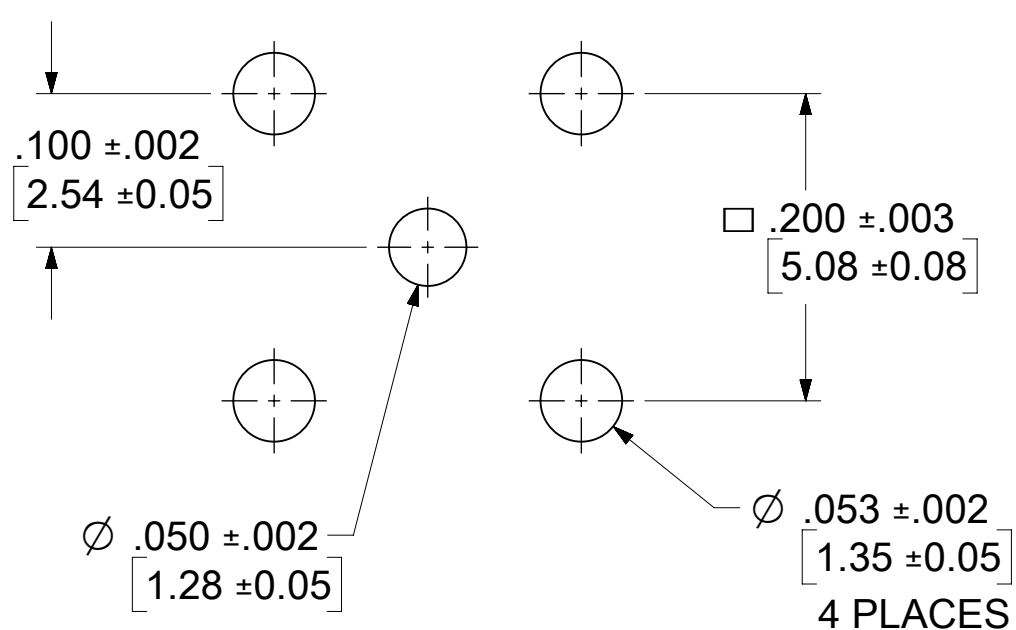
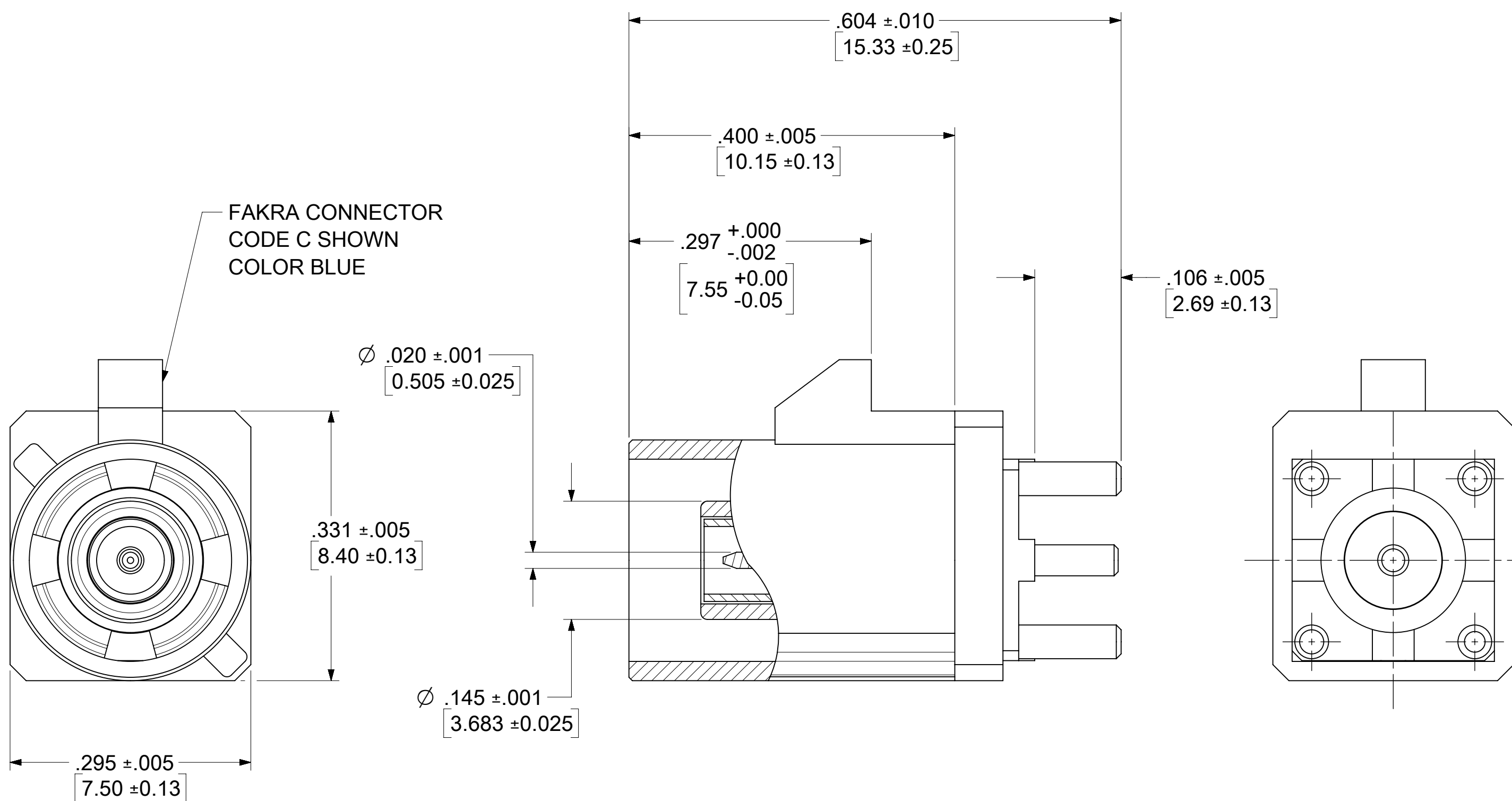
INSULATOR, PTFE

PACKAGING BY TRAY REFER TO 895420040

RETENTION SPECIFICATION
THE FAKRA CONNECTOR SHROUD WILL WITHSTAND
A LONGITUDINAL FORCE OF 120 N (26.98 LBS)

SHROUD SHALL BE BAKED @120°C, FOR 4 HOURS
PRIOR TO ASSEMBLY.

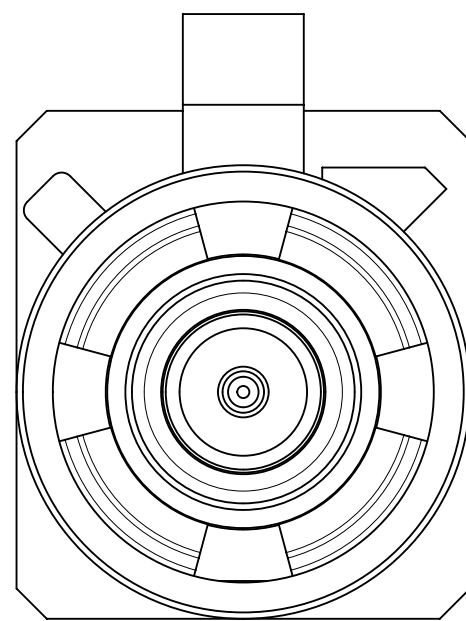
FAKRA CONNECTOR
CODE C SHOWN
COLOR BLUE



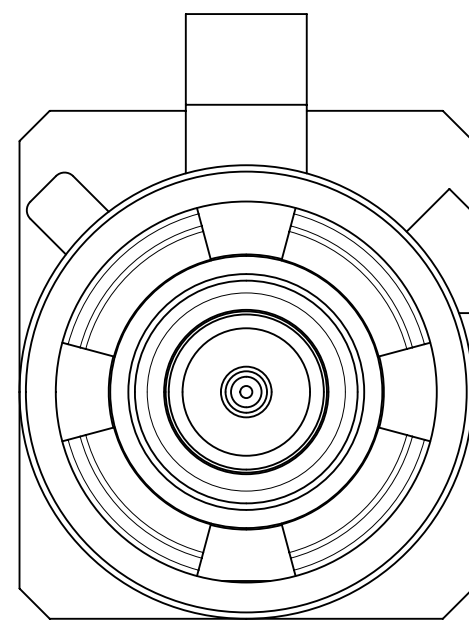
PS-89675-3310	PRODUCT SPECIFICATION
MIL-STD-348, FIG. 311-1	INTERFACE SPECIFICATION
SPECIFICATION	DESCRIPTION

FUNCTIONAL SYMBOLS	THIS DRAWING CONTAINS INFORMATION THAT IS PROPRIETARY TO MOLEX ELECTRONIC TECHNOLOGIES, LLC AND SHOULD NOT BE USED WITHOUT WRITTEN PERMISSION														
	DIMENSION UNITS		SCALE		CURRENT REV DESC:						molex				
	IN/MM		NTS		EC NO: 655936										
	GENERAL TOLERANCES (UNLESS SPECIFIED)				DRWN: BSHAH 2021/02/08						SMB FAKRA STRAIGHT JACK 50 OHMS				
DIVISIONAL SYMBOLS	4 PLACES ±		MM		INCH		CHK'D: SSSHAH 2021/02/18						SMB-J/PCB, EWR # 13959		
	3 PLACES ±				APPR: KTAGAN 2021/02/18						PRODUCT CUSTOMER DRAWING				
	2 PLACES ±				INITIAL REVISION:						DOCUMENT NUMBER		DOC TYPE	DOC PART	REVISION
	1 PLACE ±				DRWN: ELIN 2011/08/31						SD-73403-588		PSD	001	A3
	0 PLACES ±				APPR: MHUANG 2011/09/16						MATERIAL NUMBER		CUSTOMER		SHEET NUMBER
DRAFT WHERE APPLICABLE MUST REMAIN WITHIN DIMENSIONS				THIRD ANGLE PROJECTION		DRAWING		SERIES		SEE TABLE		1 OF 2			

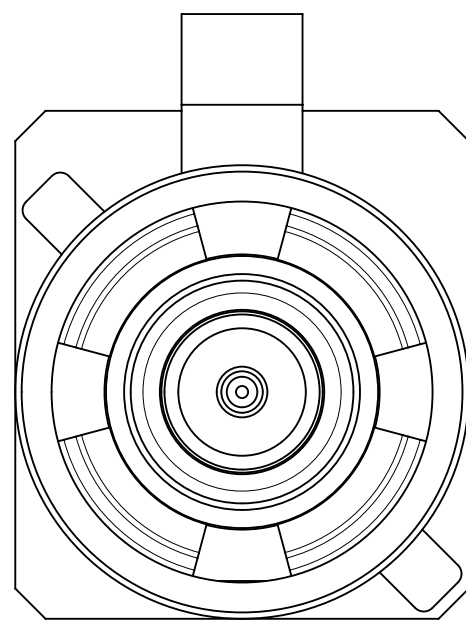
DOCUMENT STATUS	P1	RELEASE DATE	2021/02/18 21:12:11
-----------------	----	--------------	---------------------



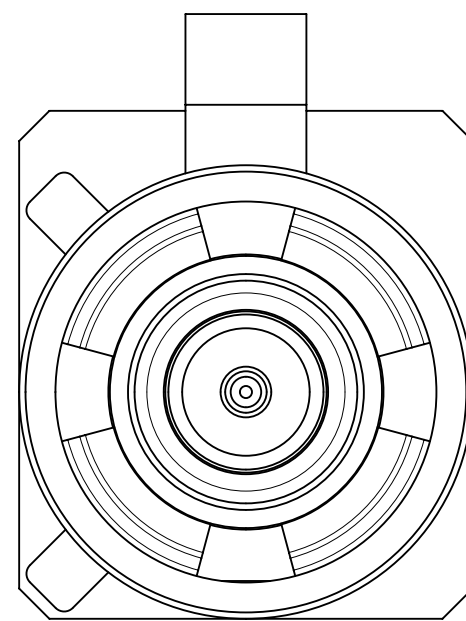
CODE A



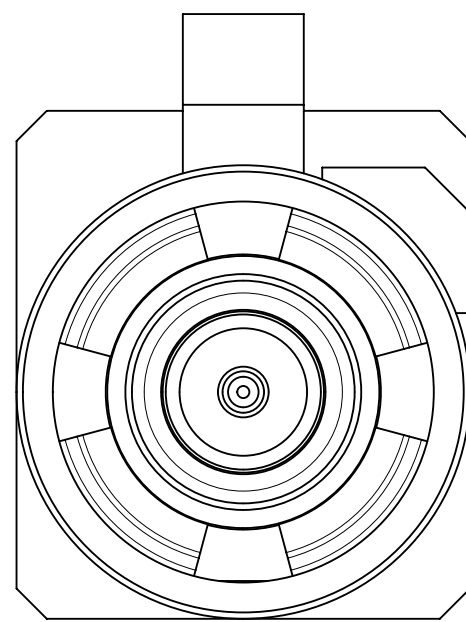
CODE B



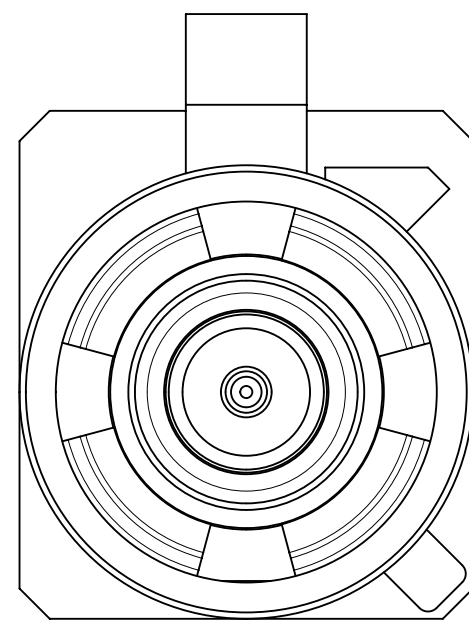
CODE C



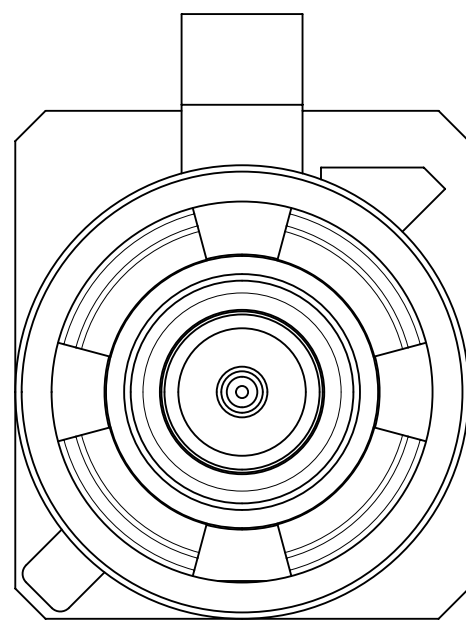
CODE D



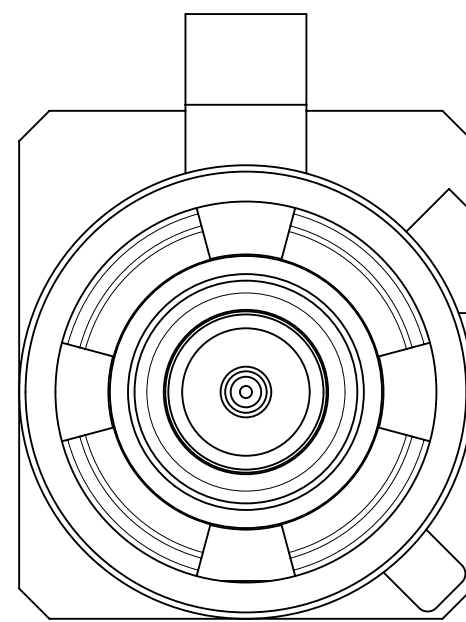
CODE E



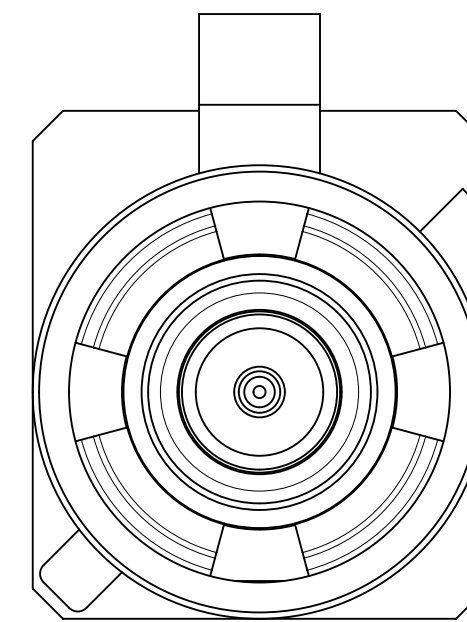
CODE F



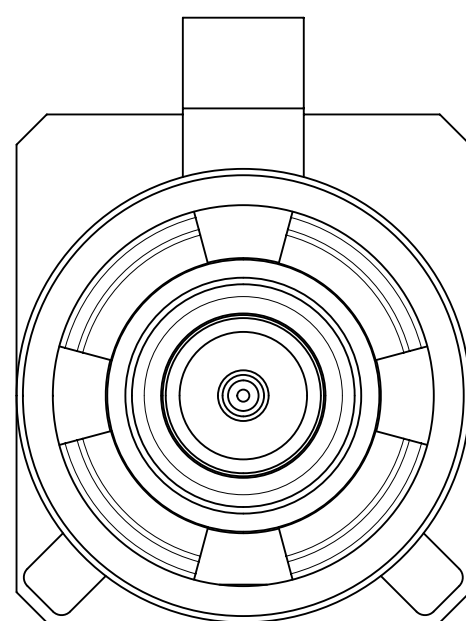
CODE G



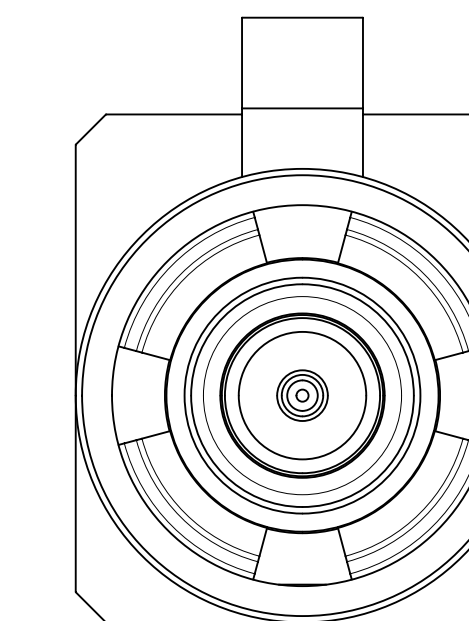
CODE H



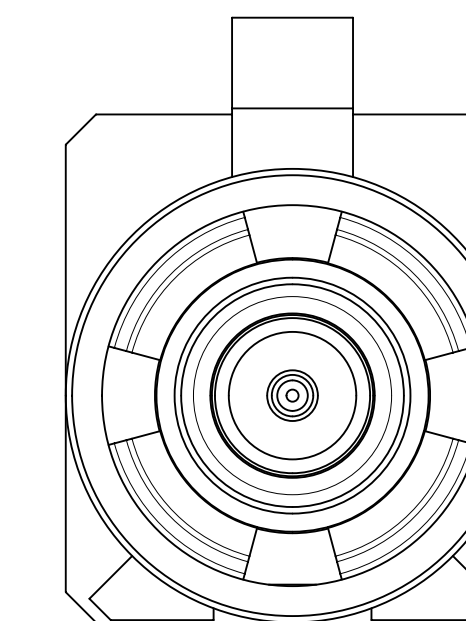
CODE I



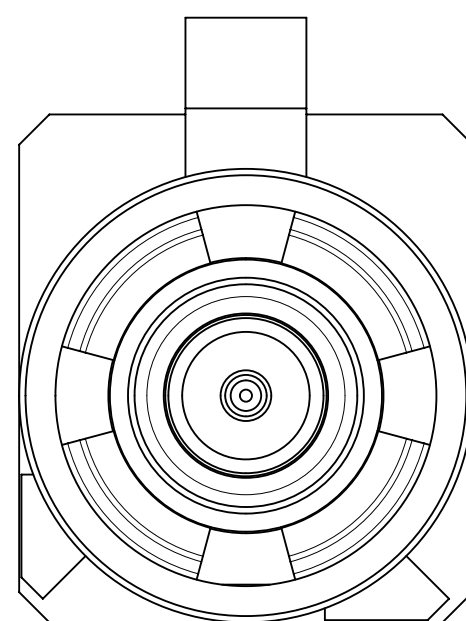
CODE K



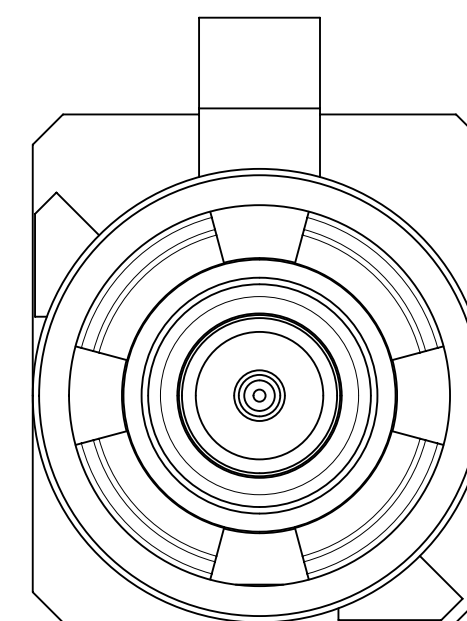
CODE Z



CODE L



CODE M



CODE N

N	PASTEL GREEN	734035893
M	PASTEL ORANGE	734035892
L	CARMINE RED	734035891
Z	WATER BLUE	734035890
K	CURRY YELLOW	734035889
I	BEIGE	734035888
H	VIOLET	734035887
G	GRAY	734035886
F	BROWN	734035885
E	GREEN	734035884
D	BORDEAUXVIOLET	734035883
C	BLUE	734035882
B	SINGLE WHITE	734035881
A	BLACK	734035880
KEYING CODE	COLOR	PART NO.

FUNCTIONAL SYMBOLS	THIS DRAWING CONTAINS INFORMATION THAT IS PROPRIETARY TO MOLEX ELECTRONIC TECHNOLOGIES, LLC AND SHOULD NOT BE USED WITHOUT WRITTEN PERMISSION		
	DIMENSION UNITS	SCALE	CURRENT REV DESC:
$\frac{F}{A} = 0$	IN/MM	NTS	
$\frac{F}{C} = 0$	GENERAL TOLERANCES (UNLESS SPECIFIED)		
$\frac{F}{P} = 0$		MM	INCH
DIVISIONAL SYMBOLS	4 PLACES	±	±
	3 PLACES	±	±
	2 PLACES	±	±
	1 PLACE	±	±
	0 PLACES	±	±
	ANGULAR TOL	± 2.0 °	
DRAFT WHERE APPLICABLE MUST REMAIN WITHIN DIMENSIONS		THIRD ANGLE PROJECTION	DRAWING SERIES
			C-SIZE 73403
DOCUMENT STATUS		RELEASE DATE	2021/02/18 21:12:11
P1			

molex

SMB FAKRA STRAIGHT JACK 50 OHMS
SMB-J/PCB, EWR # 13959

PRODUCT CUSTOMER DRAWING

DOCUMENT NUMBER	DOC TYPE	DOC PART	REVISION
SD-73403-588	PSD	001	A3

MATERIAL NUMBER	CUSTOMER	SHEET NUMBER
SEE TABLE		2 OF 2