

MATERIALS AND FINISHES

BODY BRASS
PLATED NICKEL

HOUSING BRASS
PLATED TIN

CENTER CONTACT (MATING END)
PHOSPHOR BRONZE
PLATED TIN

CENTER CONTACT (PCB END) BRASS.
PLATED TIN

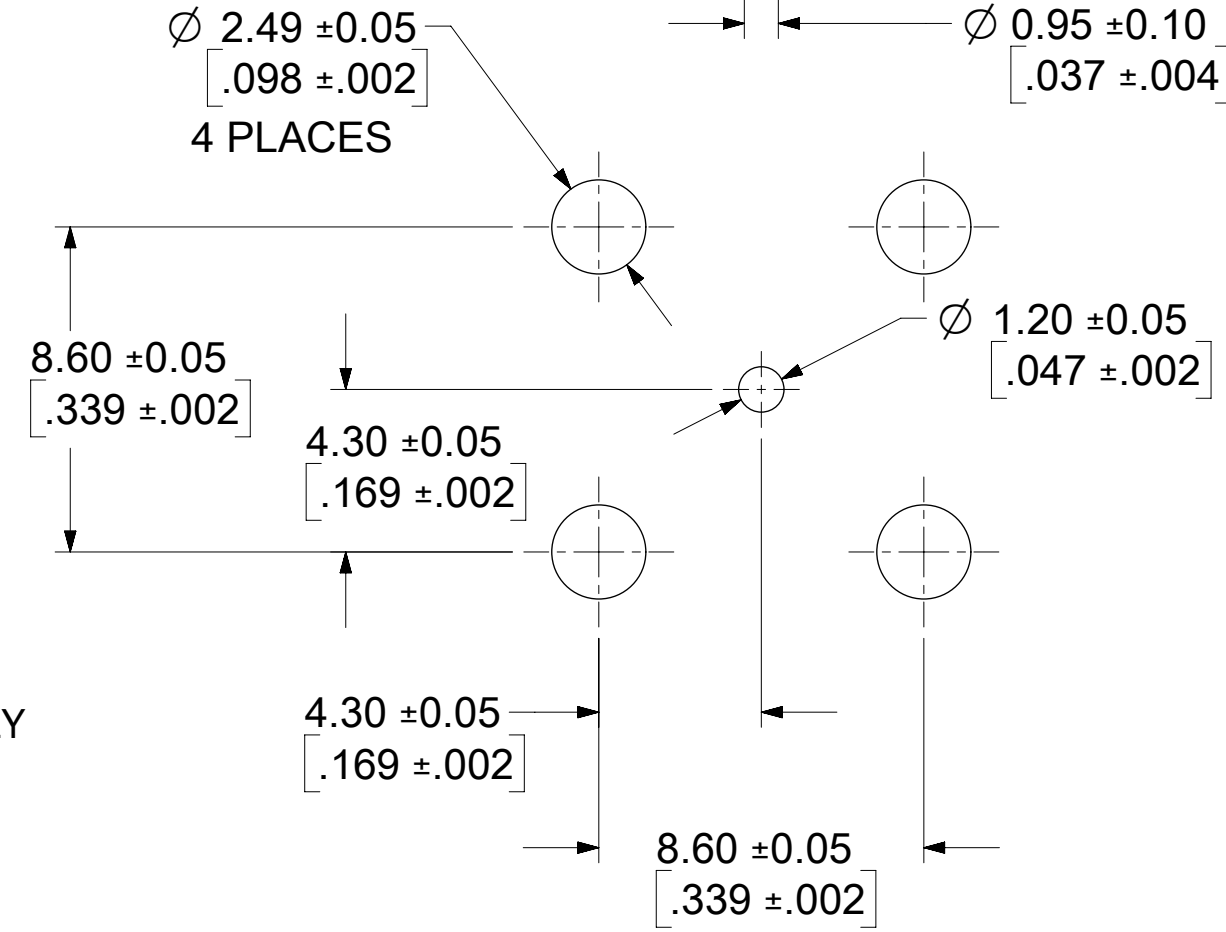
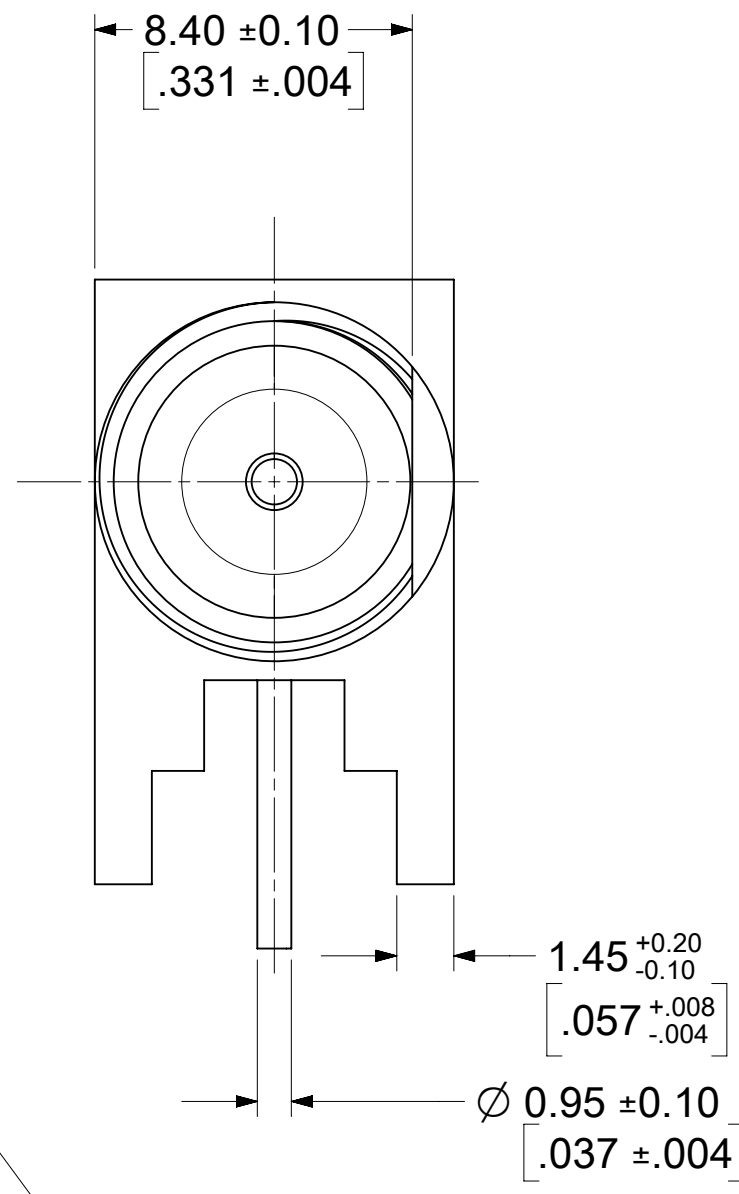
INSULATOR FRONT P.P./P.E

INSULATOR MIDDLE POM

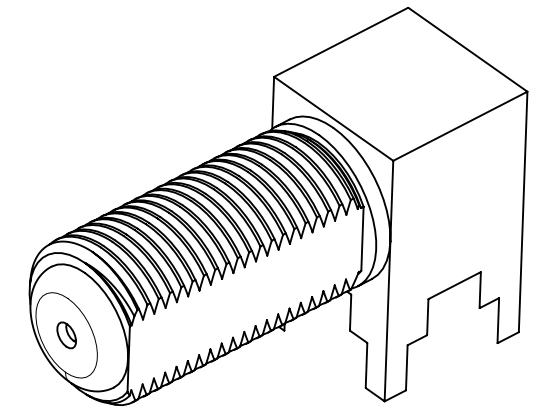
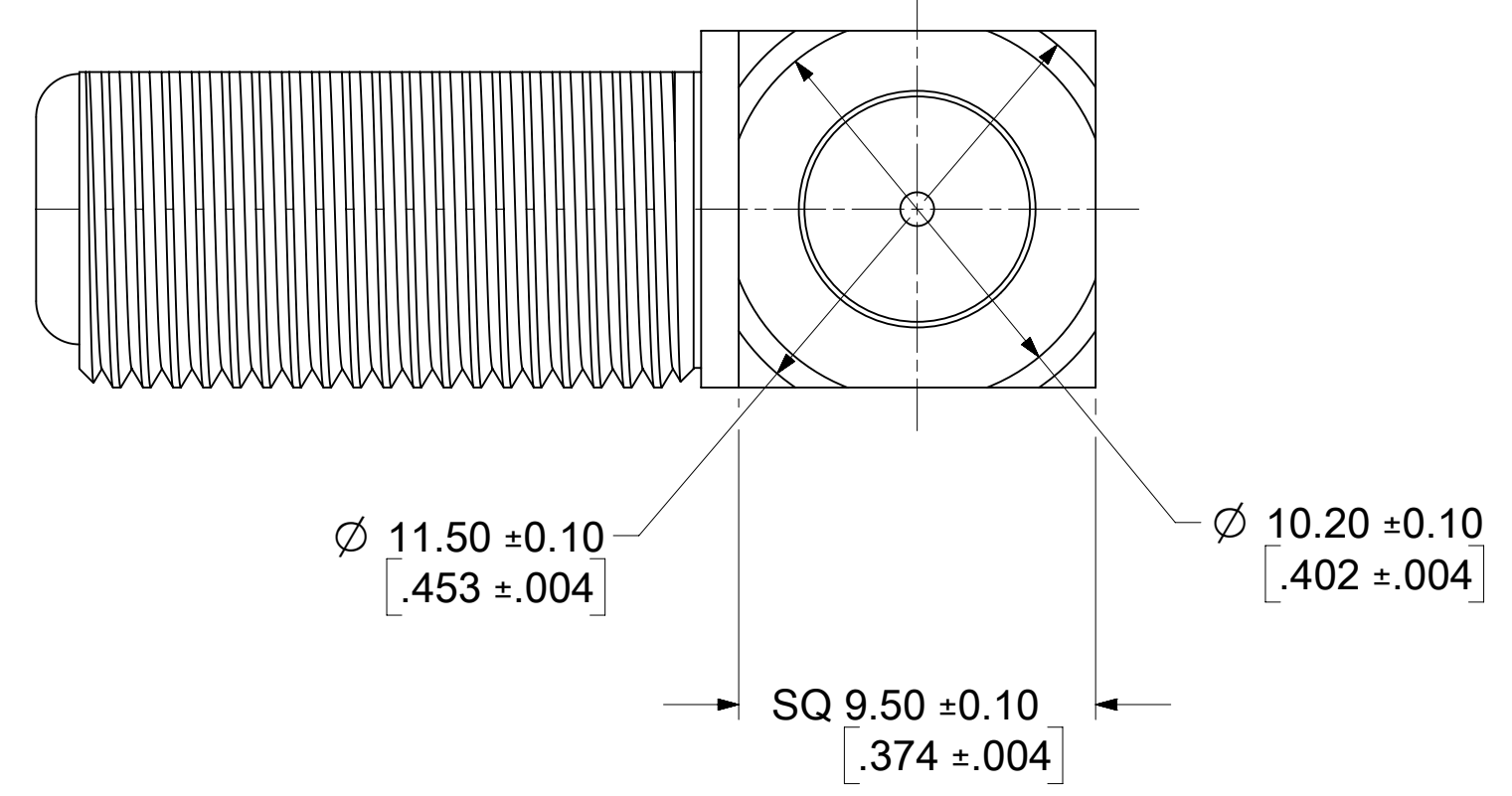
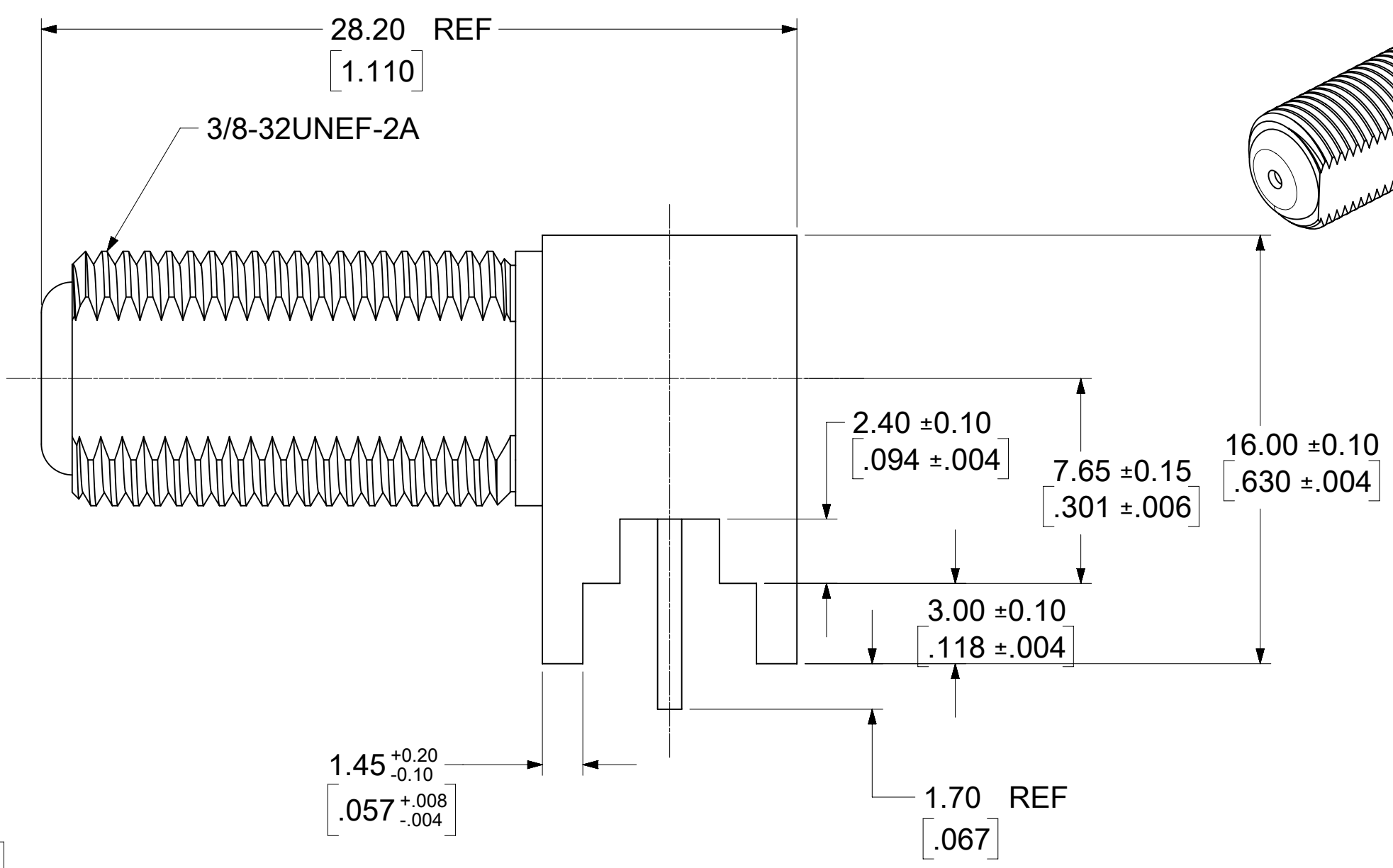
INSULATOR BOTTOM POM

PACKAGE SEE TABLE

NOTE:
WAVE SOLDER ONLY



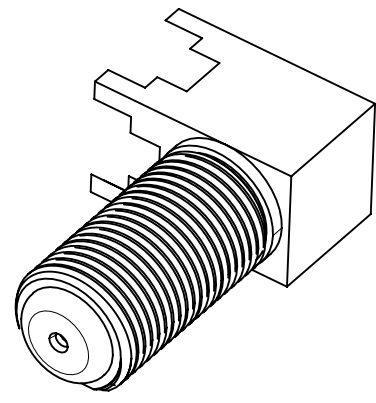
PCB HOLE CONFIGURATION



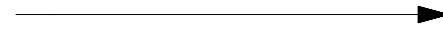
73330-0032	BAG
73330-0030	TRAY
PART NO.	PACKAGING

PS-89675-368	WAVE SOLDER PROFILE
PS-73598-0080	ELECTRO/MECHANICAL PERFORMANCE
SPECIFICATION	DESCRIPTION

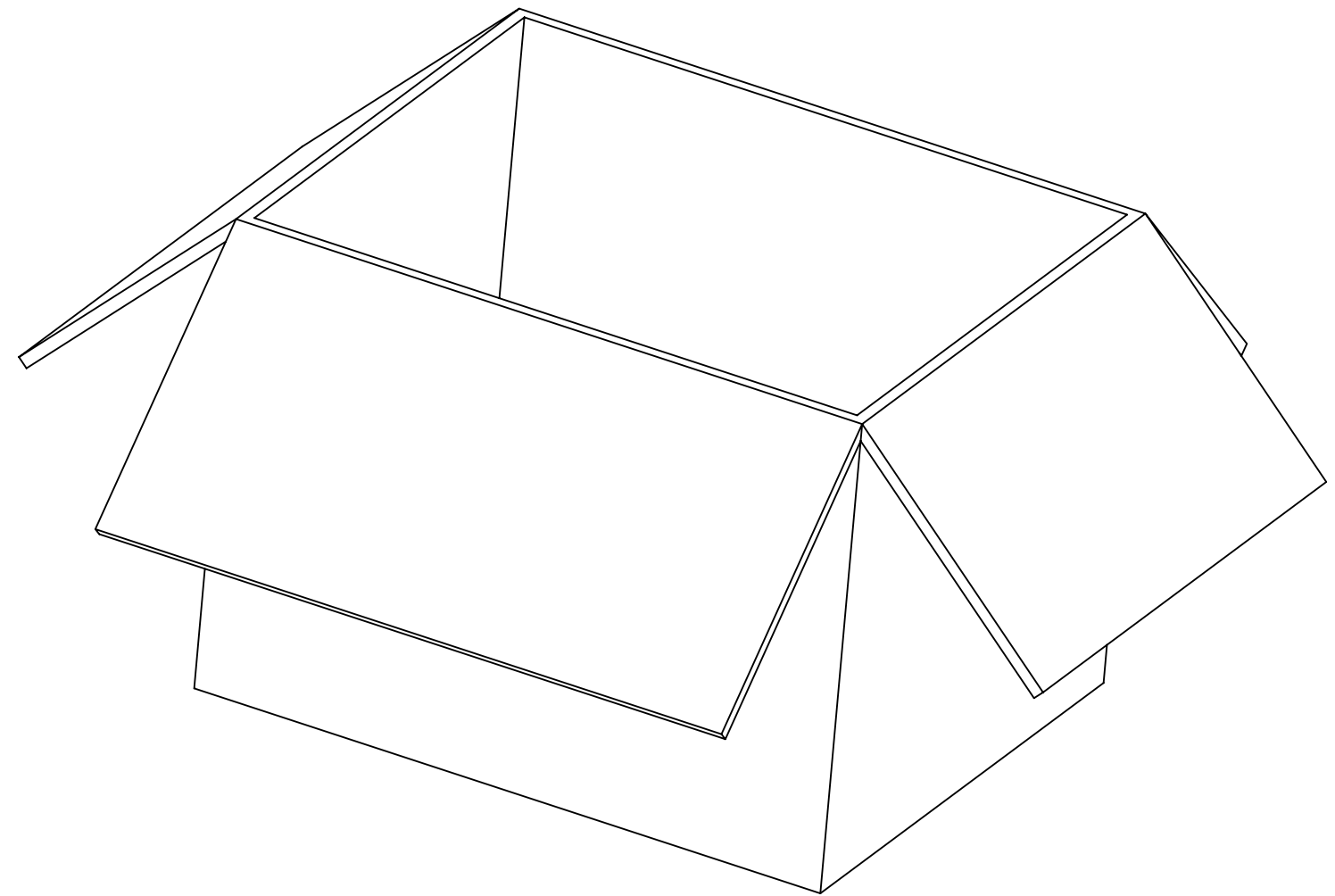
FUNCTIONAL SYMBOLS \overline{A} = 0 \overline{E} = 0 \overline{P} = 0 DIVISIONAL SYMBOLS 4 PLACES ± 3 PLACES ± 2 PLACES ± 1 PLACE ± 0 PLACES ±	THIS DRAWING CONTAINS INFORMATION THAT IS PROPRIETARY TO MOLEX ELECTRONIC TECHNOLOGIES, LLC AND SHOULD NOT BE USED WITHOUT WRITTEN PERMISSION		DIMENSION UNITS: MM/INCH SCALE: NTS		CURRENT REV DESC: EWR-14242-J ADDED LABEL FORMAT FOR 73330-0032			
	GENERAL TOLERANCES (UNLESS SPECIFIED) ANGULAR TOL ± °		EC NO: 659677 DRWN: JSU18 2021/03/24 CHK'D: YCHENG 2021/04/06 APPR: YCHENG 2021/04/06		F R/A JACK PCB 75 OHM F-RA/PCB, EWR # 13673-A			
	DRAFT WHERE APPLICABLE MUST REMAIN WITHIN DIMENSIONS		THIRD ANGLE PROJECTION		DRAWING: C-SIZE SERIES: 73330		PRODUCT CUSTOMER DRAWING DOCUMENT NUMBER: SD-73330-003 DOC TYPE: PSD DOC PART: 001 REVISION: G5	
	MATERIAL NUMBER: GENERAL MARKET		CUSTOMER: GENERAL MARKET		SHEET NUMBER: 1 OF 3			




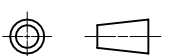
PART NO : 73330-0030



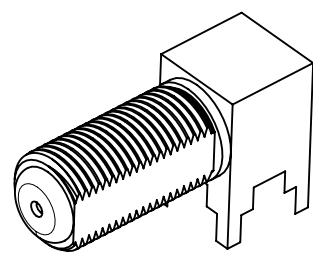
50 SET PER TRAY



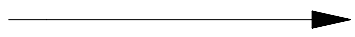
1000 SET PER OUTER CARTON BOX
P/N: 894999027

FUNCTIONAL SYMBOLS	THIS DRAWING CONTAINS INFORMATION THAT IS PROPRIETARY TO MOLEX ELECTRONIC TECHNOLOGIES, LLC AND SHOULD NOT BE USED WITHOUT WRITTEN PERMISSION												
	DIMENSION UNITS	SCALE	CURRENT REV DESC:								 F R/A JACK PCB 75 OHM F-RA/PCB, EWR # 13673-A		
$\frac{E}{A} = 0$	MM/INCH	NTS	EWR-14242-J ADDED LABEL FORMAT FOR 73330-0032										
$\frac{E}{C} = 0$	GENERAL TOLERANCES (UNLESS SPECIFIED)		EC NO: 659677								PRODUCT CUSTOMER DRAWING		
$\frac{E}{P} = 0$	ANGULAR TOL ± °		DRWN: JSU18 2021/03/24										
DIVISIONAL SYMBOLS	4 PLACES ±		CHK'D: YCHENG 2021/04/06										
	3 PLACES ±		APPR: YCHENG 2021/04/06										
	2 PLACES ±		INITIAL REVISION:										
	1 PLACE ±		DRWN: ELIN 2006/11/07										
0 PLACES ±		APPR: MISEN 2004/03/18								DOCUMENT NUMBER	DOC TYPE	DOC PART	REVISION
DRAFT WHERE APPLICABLE MUST REMAIN WITHIN DIMENSIONS		THIRD ANGLE PROJECTION	DRAWING	SERIES	MATERIAL NUMBER					CUSTOMER	SHEET NUMBER		
			C-SIZE	73330	SD-73330-003					GENERAL MARKET	2 OF 3		

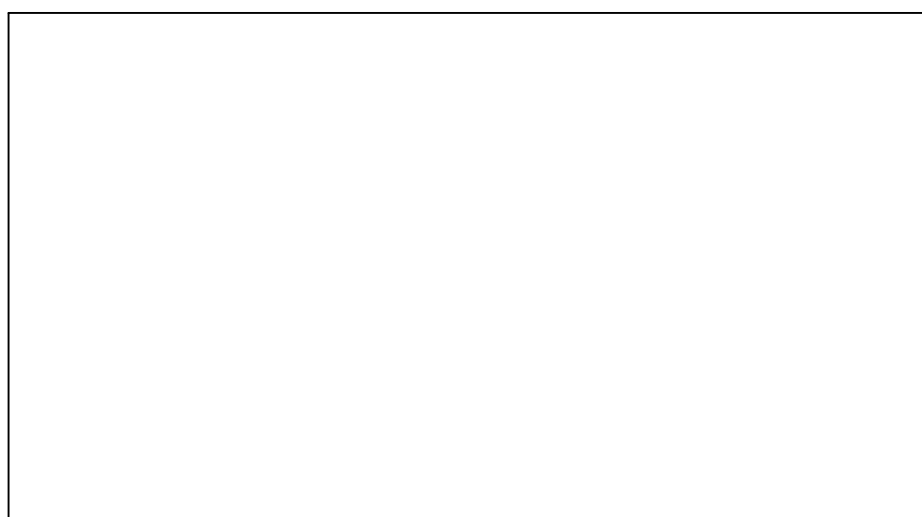
DOCUMENT STATUS	P1	RELEASE DATE	2021/04/06	01:47:29
-----------------	----	--------------	------------	----------



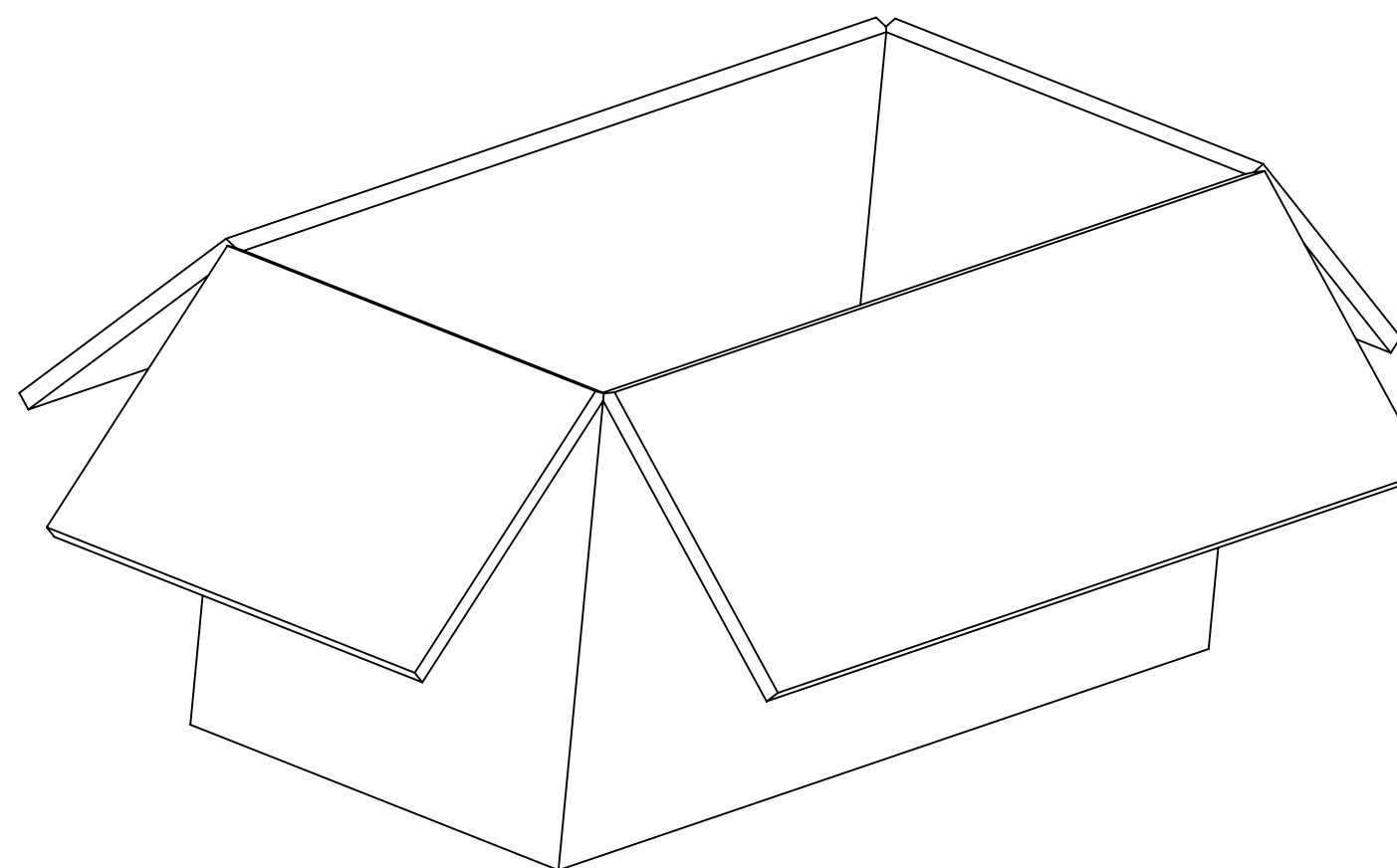
FOR 73330-0032 ONLY



1 SET PER POLYBAG
P/N: 89707-0317



50 SET PER POLYBAG
P/N: 89707-0176



500 SET PER OUTER CARTON BOX
P/N: 96707-0002

LABEL WITH EACH BAG
FOR 73330-0032

MOLEX P/N: 73330-0032
DATE: YYWW

FUNCTIONAL SYMBOLS	THIS DRAWING CONTAINS INFORMATION THAT IS PROPRIETARY TO MOLEX ELECTRONIC TECHNOLOGIES, LLC AND SHOULD NOT BE USED WITHOUT WRITTEN PERMISSION											
	DIMENSION UNITS	SCALE	CURRENT REV DESC:									
$\frac{F}{A} = 0$	MM/INCH	NTS	EWR-14242-J ADDED LABEL FORMAT FOR 73330-0032									
$\frac{F}{C} = 0$	GENERAL TOLERANCES (UNLESS SPECIFIED)		EC NO: 659677								F R/A JACK PCB 75 OHM	
$\frac{F}{P} = 0$	ANGULAR TOL ± °		DRWN: JSU18 2021/03/24								F-RA/PCB, EWR # 13673-A	
DIVISIONAL SYMBOLS	4 PLACES ±		CHK'D: YCHENG 2021/04/06								PRODUCT CUSTOMER DRAWING	
	3 PLACES ±		APPR: YCHENG 2021/04/06								DOCUMENT NUMBER	
	2 PLACES ±		INITIAL REVISION:								DOC TYPE	
	1 PLACE ±		DRWN: ELIN 2006/11/07								DOC PART	
0 PLACES ±		APPR: MISEN 2004/03/18								REVISION		
DRAFT WHERE APPLICABLE MUST REMAIN WITHIN DIMENSIONS			THIRD ANGLE PROJECTION	DRAWING	SERIES	MATERIAL NUMBER		CUSTOMER		SHEET NUMBER		
				C-SIZE	73330	SD-73330-003		GENERAL MARKET		3 OF 3		

DOCUMENT STATUS	P1	RELEASE DATE	2021/04/06	01:47:29
-----------------	----	--------------	------------	----------