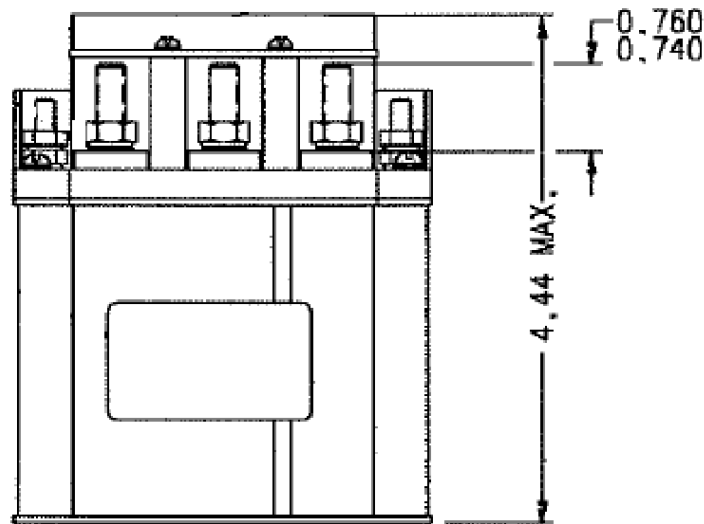
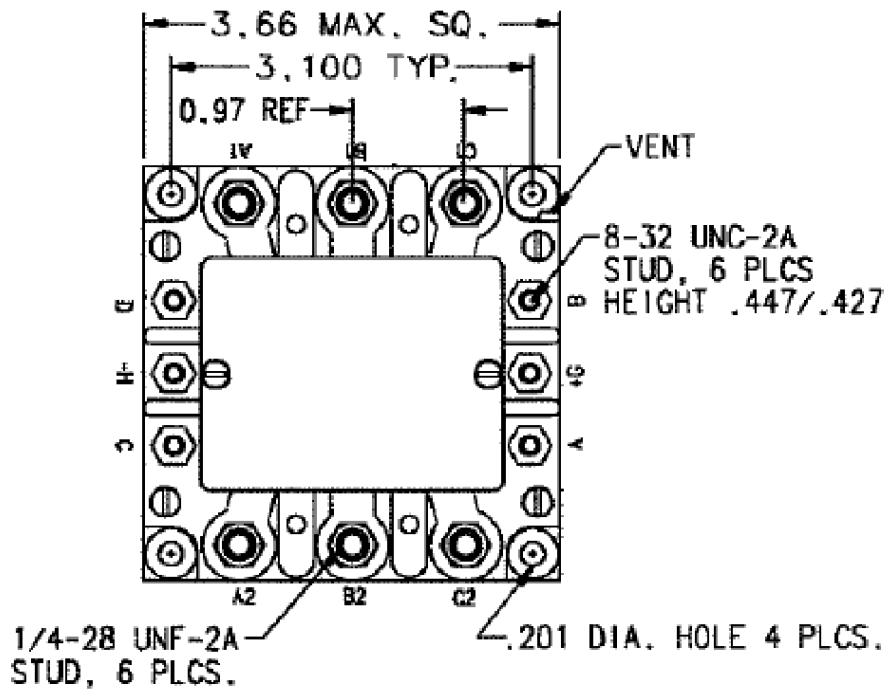


REVISIONS

REV.	ECO	DESCRIPTION	DATE	APPROVED
J	0349-03	ITEM 3 WAS N7038DB0	21MAR2003	CC

SA136A
 CONTACTOR-3PST N.O.
 75 AMP,440 VAC, 400HZ



ALL DIMENSIONS ARE IN INCHES



TE CONNECTIVITY
 175 N. DIAMOND STREET MANSFIELD,
 OHIO 44902

TITLE

CONTACTOR-3PST N.O.
 75 AMP,440 VAC, 400HZ

TE P.N.

1616021-6

DWG NO.

SA136A

DS DATA SHEET

CAGE CODE
 74063

SCALE
 NONE

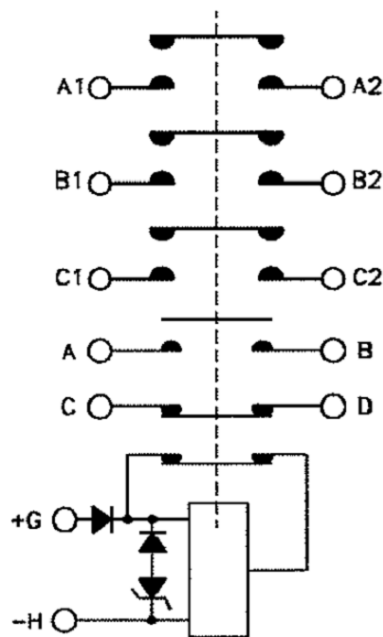
SHEET
 1 OF 2

REV
 J

GENERAL SPECIFICATION

CONSTRUCTION	GASKET SEALED AND VENTED
MAIN CONTACTS	
CONFIGURATION	3PST N.O. DOUBLE BREAK
VOLTAGE (NOMINAL)	440 VAC 400 HZ
CURRENT RESISTIVE	75 AMPS
CURRENT INDUCTIVE	75 AMPS
AUXILIARY CONTACTS	
CONFIGURATION	1 SPST NO, 1 SPST NC
VOLTAGE	28 VDC OR 115/230 VAC 60/400 HZ
CURRENT RESISTIVE	5 AMPS
CURRENT INDUCTIVE	3 AMPS
CURRENT LAMP	2 AMPS
COIL DATA	
DUTY CYCLE	CONTINUOUS (ECONOMIZING)
NOMINAL VOLTAGE	28 VDC
MAX. VOLTAGE	32 VDC
TRANSIENT SUPPRESSION	±45 VDC
PICKUP VOLTAGE	18 VDC MAX
DROPOUT VOLTAGE	1.0-7.0 VDC
COIL RESISTANCE AT 25°C	12 OHMS MINIMUM PICKUP 60 OHMS MAXIMUM HOLD
OPERATE TIMES	
PICK UP	50 mSEC. MAX. AT 28 VDC
DROP OUT	35 mSEC. MAX. AT 28 VDC
ENVIRONMENTAL	
OPERATING TEMPERATURE	-0°C TO +65°C
ALTITUDE OPERATING	8,000 FEET
VIBRATION	10 G'S OR .06 DA 10 TO 500 HERTZ
SHOCK	50 G'S FOR 11 mSEC (NON-OPERATING)
LIFE	
ELECTRICAL	50,000 CYCLES MINIMUM
MECHANICAL	100,000 CYCLES MINIMUM
WEIGHT	3.0 POUNDS MAXIMUM

SCHEMATIC



TE CONNECTIVITY
175 N. DIAMOND STREET MANSFIELD,
OHIO 44902

TITLE

CONTACTOR-3PST N.O.
75 AMP, 440 VAC, 400HZ

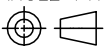
TE P.N.

1616021-6

DWG NO.

SA136A

THIRD ANGLE PROJECTION



THIS DRAWING PREPARED
IN ACCORDANCE WITH
ANSI/ASMEY14.5M-1982

CAGE CODE

74063

SCALE

NONE

SHEET

2 OF 2

REV

J