

FEBRUARY 2021

Specification change: RH series power relays

IDEC would like to inform you of a few specification changes regarding our RH series power relays. Details are as follows:



1. Affected models:

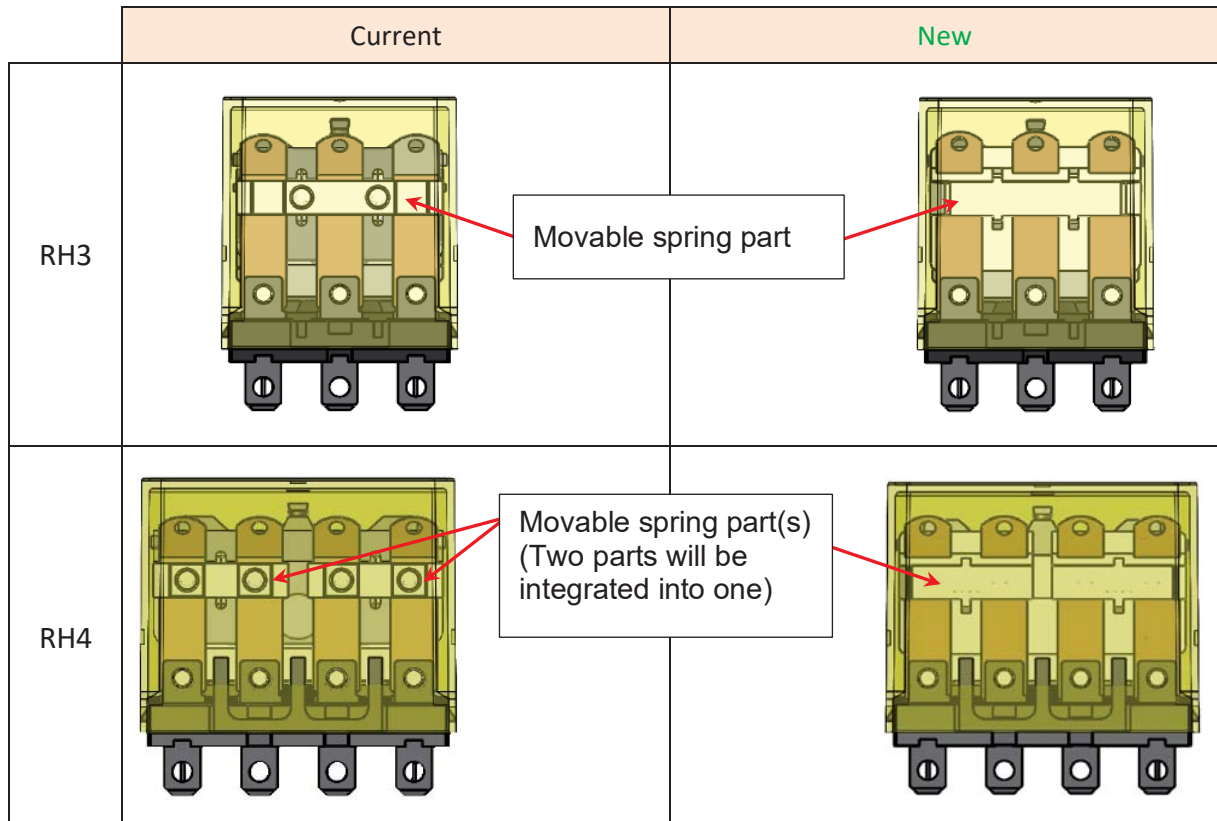
RH3 and RH4 series power relays (incl. special products): All products

Modification	Product
A) Movable spring part	All products
B) Indicator kit	All products with indicator

2. Modification details:



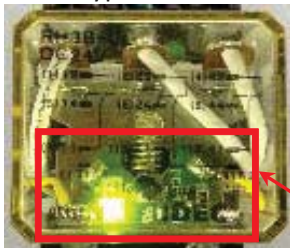
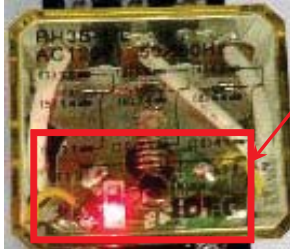
A) Movable spring part

The movable spring part(s) inside the relay will be modified as below.

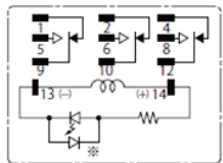
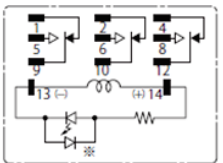
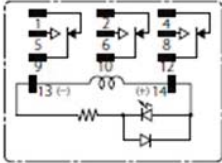
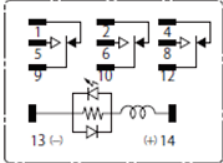
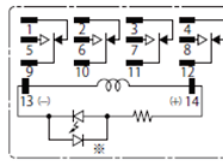
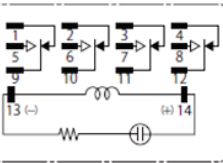
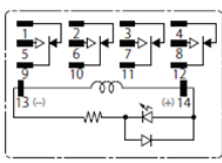
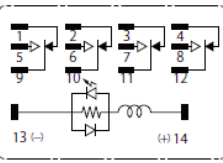


B) Indicator kit

The indicator kit of RH3 and RH4 power relays will be changed as below (they will be the same as that of RH1 and RH2 power relays).

Current	New
<p>Below 100V AC/DC:</p>  <p>100V AC/DC and over:</p> 	<p>All DC type:</p>  <p>All AC type:</p> 
AC and DC: Red indicator	AC: Red indicator, DC: Green indicator

Accordingly, the inner connection will be changed as below.

Type	Current		New	
	Below 100V AC/DC	100V AC/DC and over	Below 24V AC/DC	24V AC/DC and over
RH3 with indicator				
RH4 with indicator				

Type	Current		New	
	Below 100V AC/DC	100V AC/DC and over	Below 24V AC/DC	24V AC/DC and over
RH3 with indicator and diode				
RH4 with indicator and diode				

Note: There is no other specification change.

3. Schedule:

Starting March 2021 (depending on our stock situation)

4. Part number and pricing will remain the same.

5. Identification:

The last letter of the lot number printed on the product cases of the modified products will be underlined.

For example: Lot number of current products

2 M 9 0 7 Y



Lot number of modified products

2 M 9 0 7 Y

This identification will be used with modified products made until August 2021.