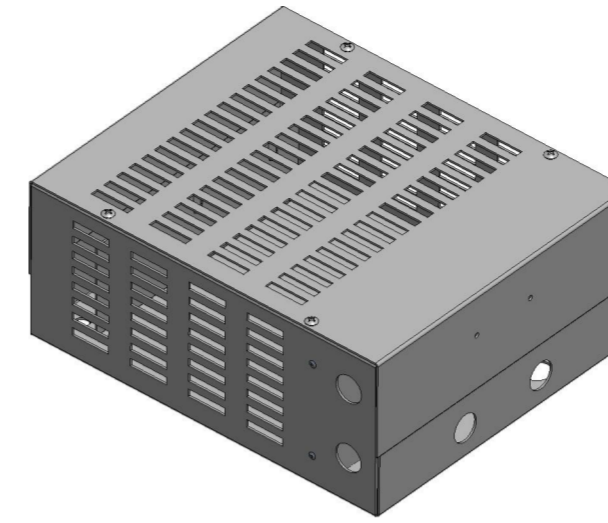
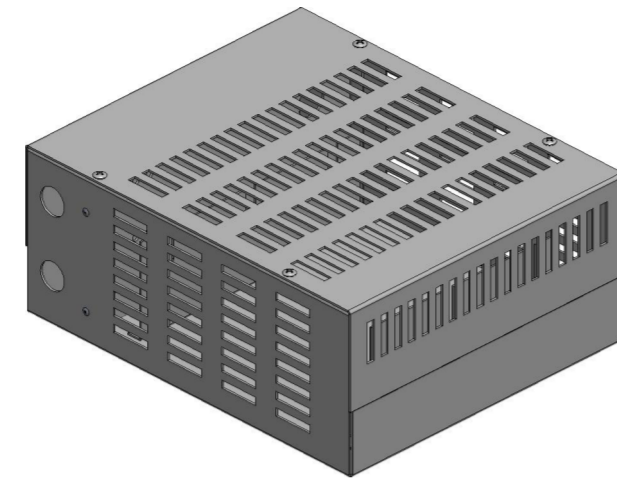
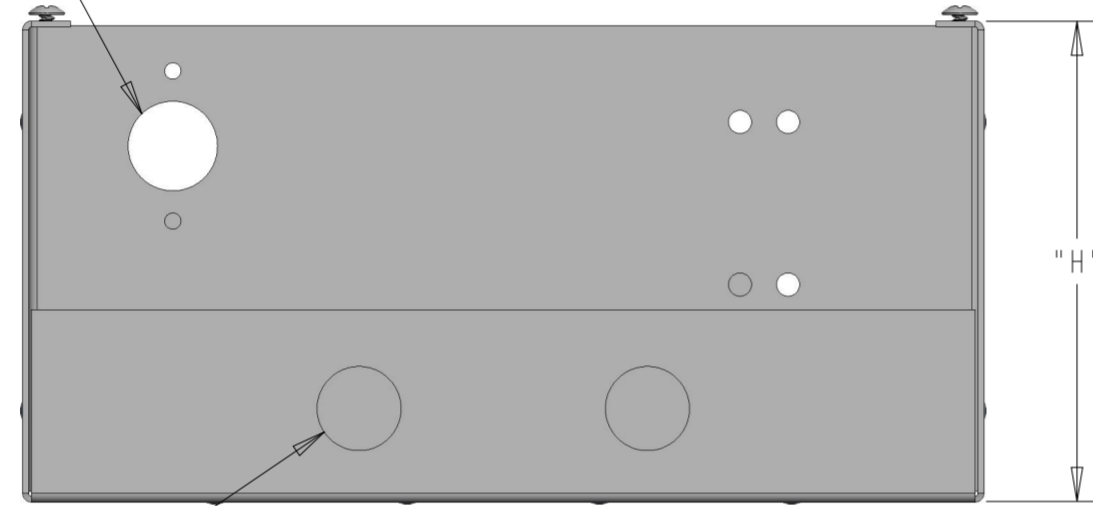


P	LTR	DESCRIPTION	DATE	DWN	APVD
	A	INITIAL RELEASE	07OCT2021	KS	AP



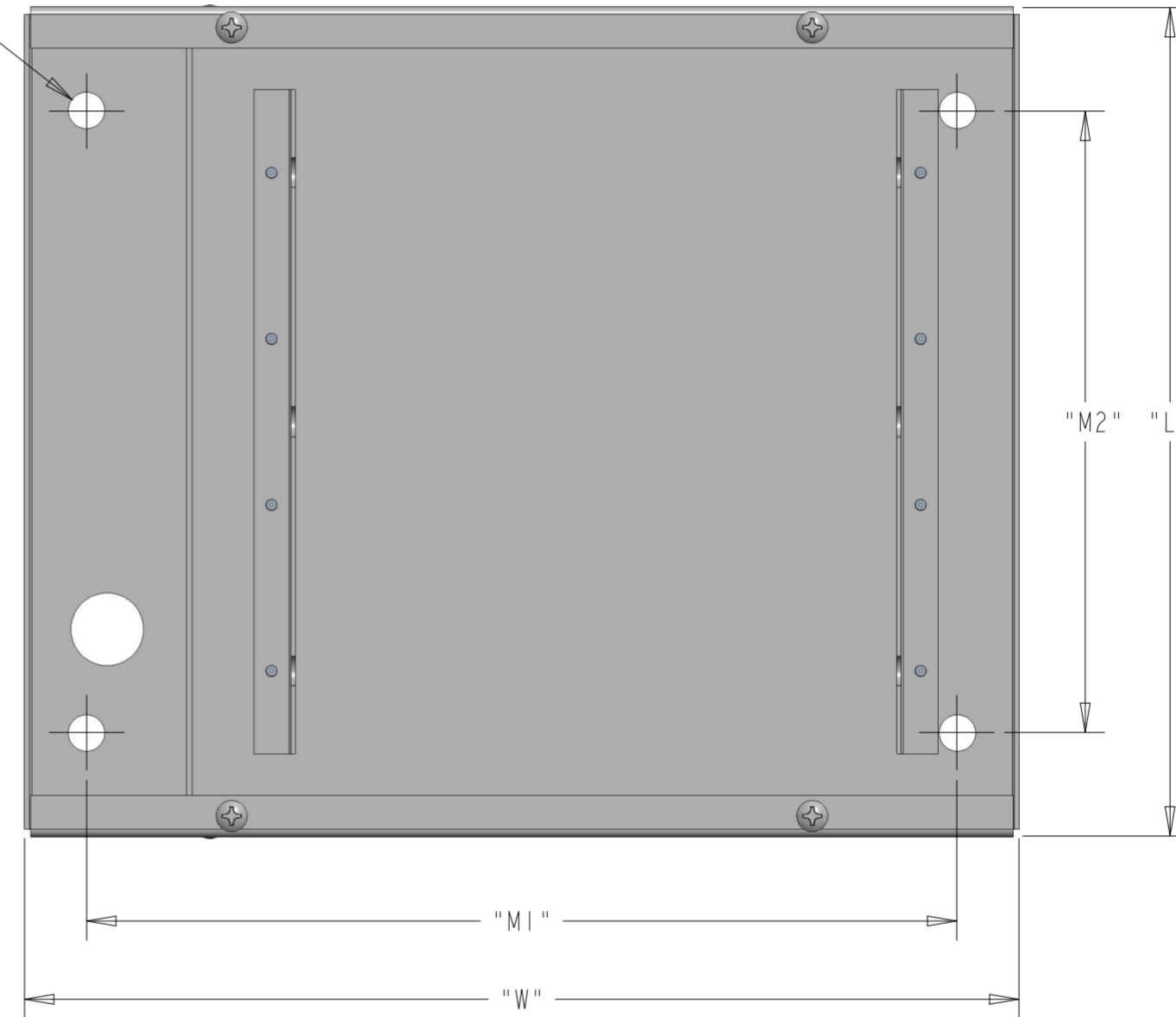
SCALE 1:5

TEMPERATURE SENSOR (OPTIONAL)



(x7) Ø22.225 (KNOCKOUTS)
[ONE LOCATED ON BOTTOM
2 ON LEFT AND RIGHT SIDE]

(x4) Ø11.125
(MOUNTING HOLES)



PART NUMBER	W (mm)	L (mm)	H (mm)	M1 (mm)	M2 (mm)	TOTAL RESISTANCE	H.P.	DUTY CYCLE	DRIVE VOLTAGE	BRAKING TORQUE
HPBA007E1K5100E	305	254	127	267	191	1500 Ohms ± 10%	0.75	100%	575 V	100%

NOTE:
1. FOR FURTHER TECHNICAL INFORMATION PLEASE SEE THE DATASHEET FOR THE HPBA SERIES

THIS DRAWING IS A CONTROLLED DOCUMENT.		DWN S. KARTHIK 24-09-2021	TE Connectivity	
DIMENSIONS: mm		CHK ALLAN PILE 24-09-2021		
TOLERANCES UNLESS OTHERWISE SPECIFIED:		APVD ALLAN PILE 24-09-2021	NAME BRAKING RESISTOR ASSEMBLY TYPE HPBA SERIES HPBA007E1K5100E	
0 PLC ± 1 PLC ± 2 PLC ±0.50 3 PLC ±0.500 4 PLC ± ANGLES ± FINISH -		PRODUCT SPEC -	RESTRICTED TO -	
MATERIAL -		APPLICATION SPEC -	SIZE A2	CAGE CODE 00779
		WEIGHT -	DRAWING NO C-4-2176470-7	
		CUSTOMER DRAWING	SCALE 1:2	SHEET 1 OF 2
			REV A	

4

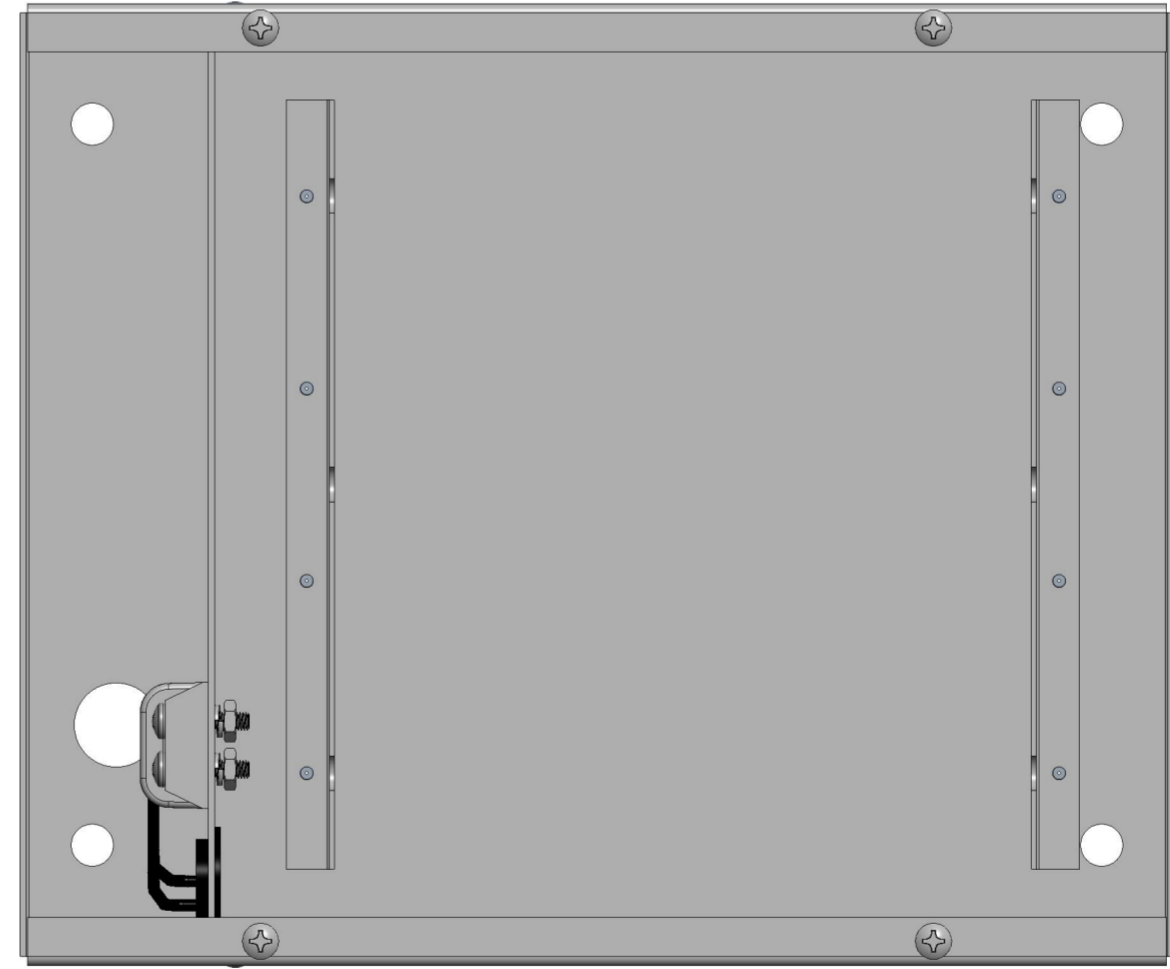
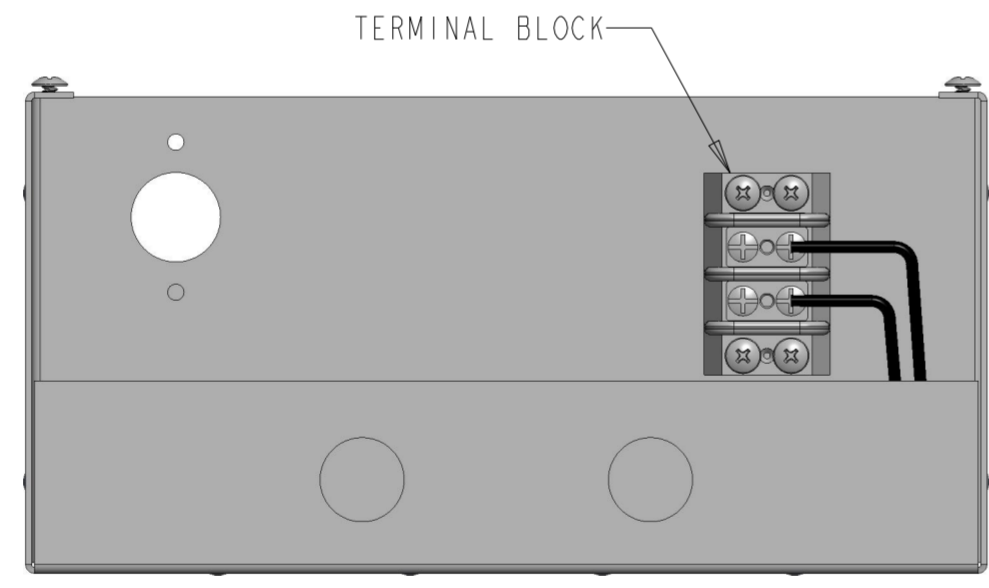
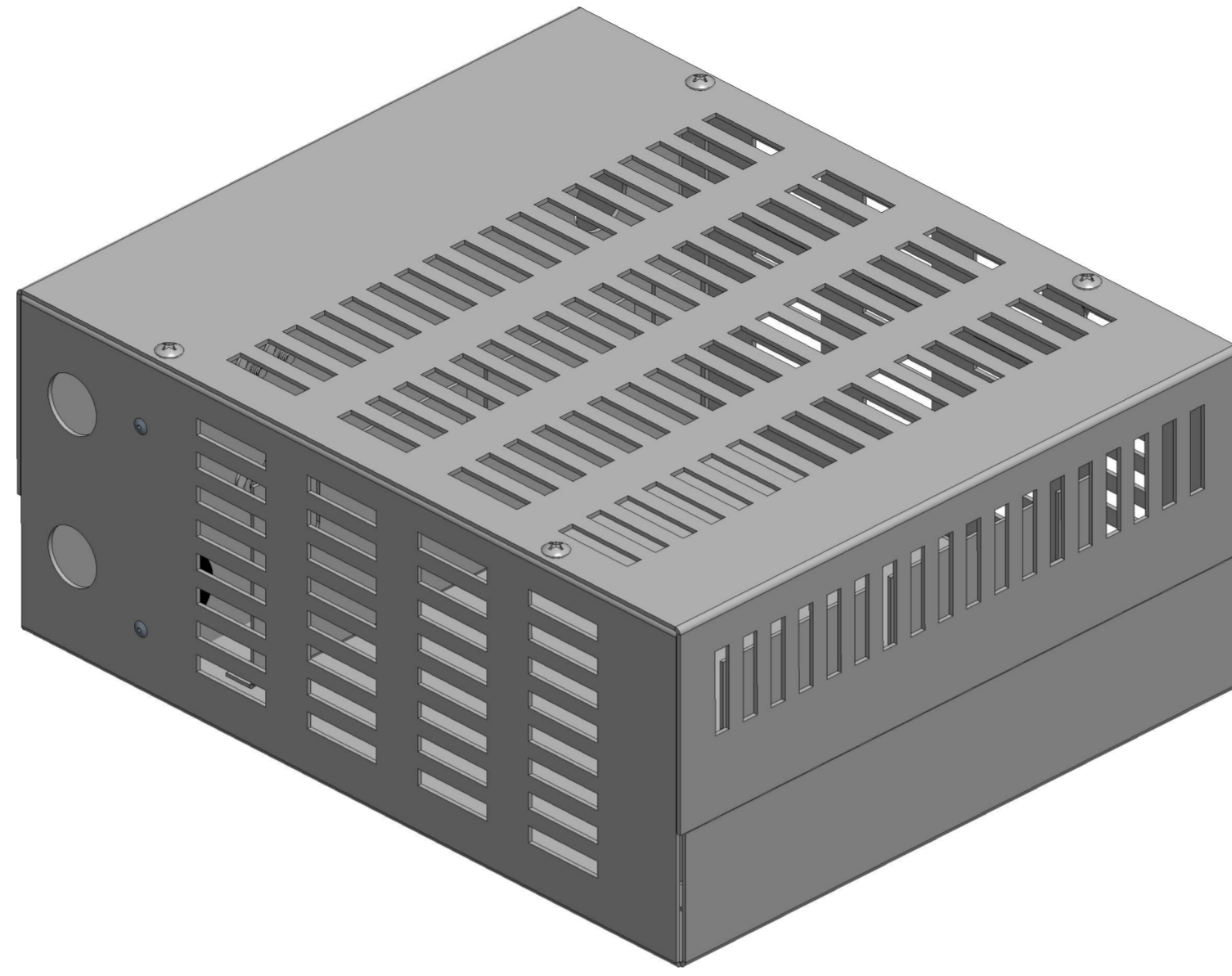
3


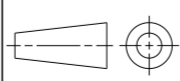
2

1

© 2021 TE Connectivity. All Rights Reserved.

REVISIONS				
P	LTR	DESCRIPTION	DATE	APVD
		SEE SHEET 1		



THIS DRAWING IS A CONTROLLED DOCUMENT.		DWN S. KARTHIK 24-09-2021	 TE Connectivity	
DIMENSIONS: mm		CHK ALLAN PILE 24-09-2021		
TOLERANCES UNLESS OTHERWISE SPECIFIED: 0 PLC ± 1 PLC ± 2 PLC ±0.50 3 PLC ±0.500 4 PLC ± ANGLES ± FINISH -		APVD ALLAN PILE 24-09-2021	NAME BRAKING RESISTOR ASSEMBLY TYPE HPBA SERIES HPBA007EIK5100E	
		PRODUCT SPEC -	SIZE A2	CAGE CODE 00779
MATERIAL -		APPLICATION SPEC -	DRAWING NO C-4-2176470-7	RESTRICTED TO -
		WEIGHT -	SCALE 1:2 SHEET 2 OF 2 REV A	
		CUSTOMER DRAWING		