

Amphenol Taiwan Corporation Product Change Notification

Part Numbers Concerned :	GSB311231HR GSB31121XHR	Originator:	Debby Hung
Customer P/N:		Issue Date:	2021/06/16
Product Description:	USB 3.0 CONNECTOR STANDARD A, STACKED, R/A DIP TYPE	PCN NO:	1210-21001041
Distribution:			

Product Change Notice

Background:

Tooling now is too old, and almost broken, and hard to keep manufacturing components. Amphenol has been duplicated the new tooling, and improved the design and material change.

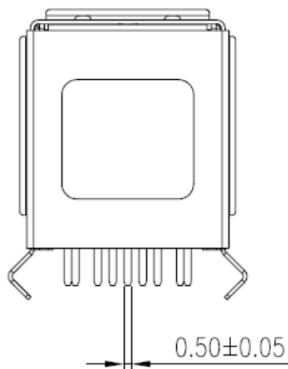
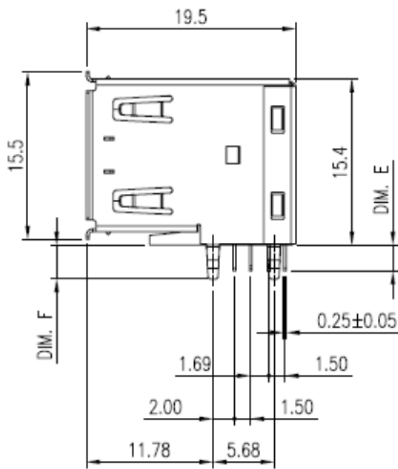
Design change including:

1. The gap increasing between shell and PCB is to avoid short circuit and raise safety factor, and stand-off area change of housing is to avoid soldering overlapping.

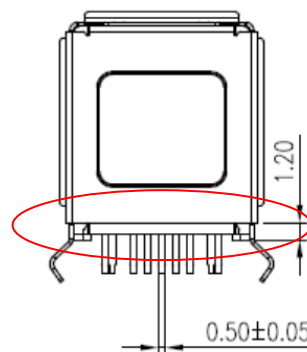
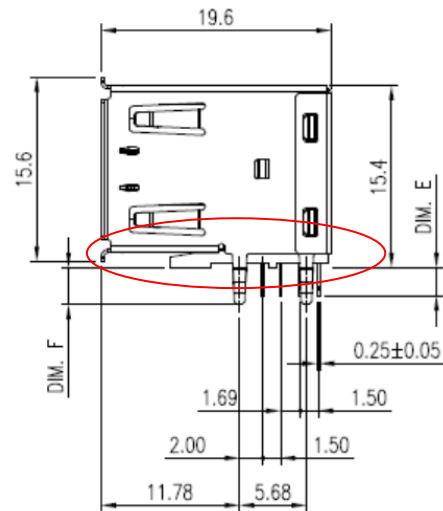
P/N: (GSB311231HR)->GSB3112XXXHR: REV:D1 -->

New P/N: GSB3112XXXHR:REV: E1

Old version part:

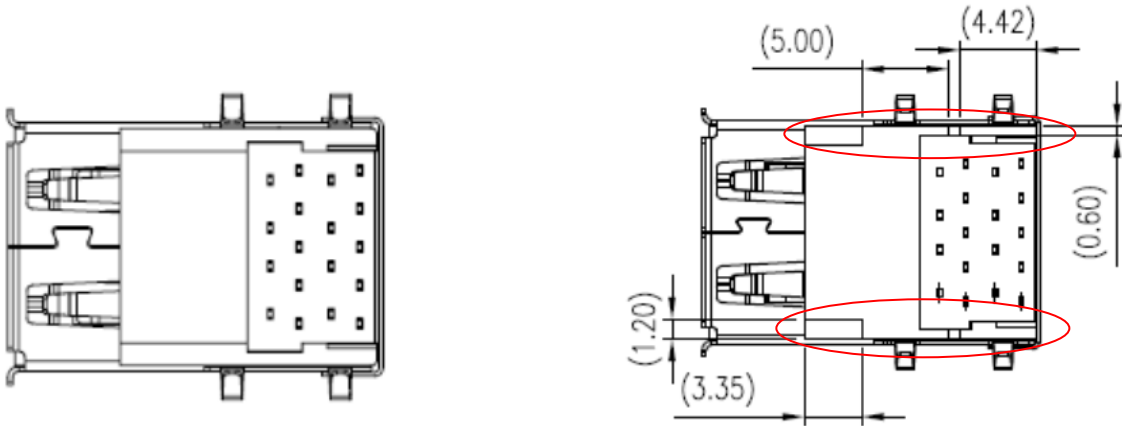


New version part: Update shell bottom outline



Amphenol Taiwan Corporation Product Change Notification

(Update plastic stand off)



2. Drawing, GSB31121XHR, was void, and combines the P/N to GSB311231HR drawing.
3. The option for P/N GSB311214HR was PA9T which's removed by new version drawing.

ORIGINAL

PART NUMBER: GSB3 112 X X X HR

CONTACT FINISH
3: 30µ" GOLD

SOLDER TAIL LENGTH / PACKING

PART NO	DIM. E	DIM. F	PACKING
"BLANK"	2.4	3.0	TRAY
"1"	3.0	3.5	TRAY
"A"	2.4	3.0	T&R
"B"	3.0	3.5	T&R

INSULATOR AND COLOR
1: LCP, Blue
3: LCP, Black

PART NUMBER: GSB3 112 X X X HR

CONTACT FINISH
1: GOLD FLASH
3: 30µ" GOLD

SOLDER TAIL LENGTH / PACKING

PART NO	DIM. E	DIM. F	PACKING
"BLANK"	2.4	3.0	TRAY
"1"	3.0	3.5	TRAY
"A"	2.4	3.0	T&R
"B"	3.0	3.5	T&R

INSULATOR AND COLOR
1: LCP, Blue
3: LCP, Black

PART NUMBER: GSB3 112 1 X HR

CONTACT FINISH
1: GOLD FLASH

INSULATOR AND COLOR
1: LCP, Blue
4: Nylon 9T, Blue

4. Update drawing number GSB311231HR to GSB3112XXXHR drawing number.

TITLE USB 3.0 CONNECTOR STANDARD A, STACKED, R/A DIP TYPE		Amphenol [®] Amphenol Corporation Amphenol Taiwan Corporation	
UNIT mm	SIZE A3	PART No. GSB3 112 XX XHR	REV. D1
SCALE NA	SHEET 2 OF 3	DWG No. GSB311231HR	

TITLE USB 3.0 CONNECTOR STANDARD A, STACKED, R/A DIP TYPE		Amphenol [®] Amphenol Corporation Amphenol Taiwan Corporation	
UNIT mm	SIZE A3	PART No. GSB3112XXXHR	REV. E1
SCALE NA	SHEET 1 OF 3	DWG No. GSB3112XXXHR	

5. Update Packing drawing.

TOLERANCE	APPROVALS	DATE	REV	DESCRIPTION
±0.10	Debyi Hwang	08/16/2017	1	USB 3.0 CONNECTOR STANDARD A, STACKED, R/A DIP TYPE
±0.05	Sandy Wu	08/16/2017	2	
±0.10	Amphenol	08/16/2017	3	

Amphenol
Amphenol Corporation
Amphenol Taiwan

PACKAGING	11.36	6.52	1.00	13	1500	GSB3112XXXHR
BY TRAY	10.76	5.92	1.00	13	1500	
BY TRAY	10.76	5.92	1.00	13	1500	

