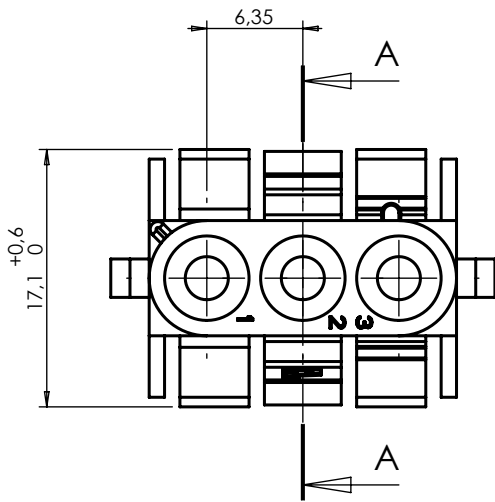
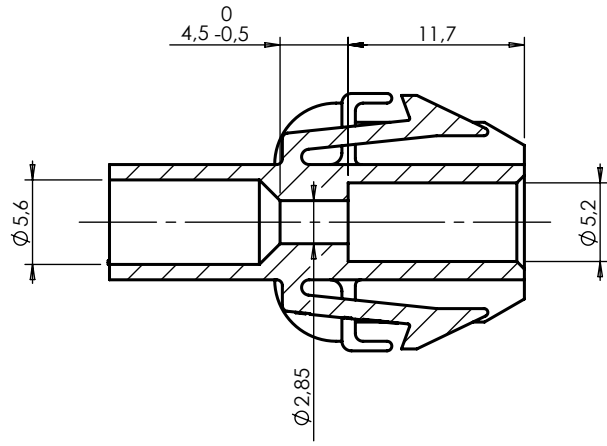
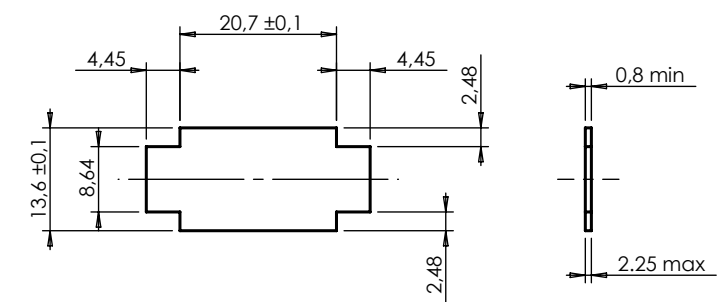


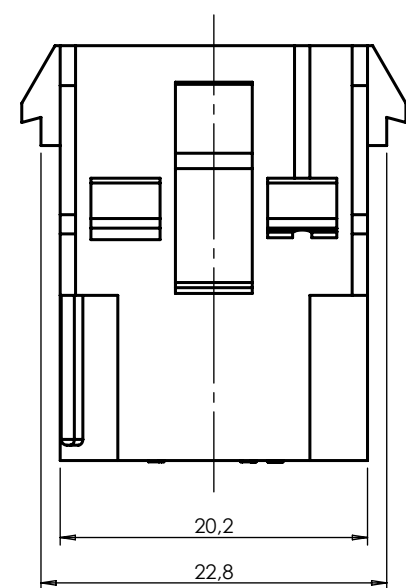
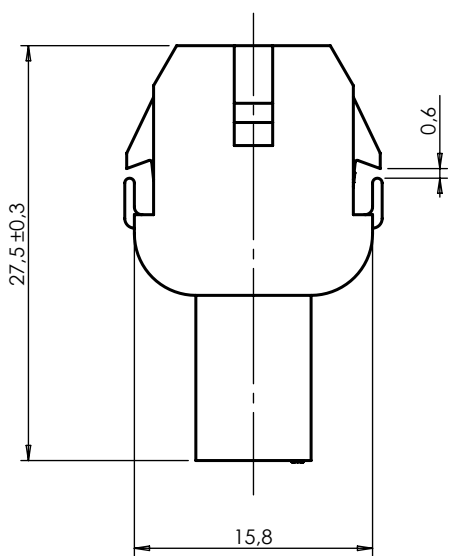
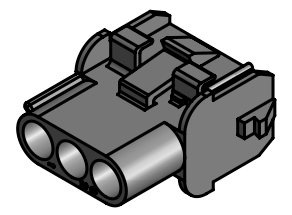
SEZIONE A-A



DISEGNO TAGLIO LAMIERA



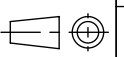
SCALA 1:1



6	Modificato quota 4.50 mm era 5.25 mm (Vedi sezione "A-A"), aggiunto particolare lamiera di fissaggio (CUT - OUT)	06-02-2015
5	Added UL & CSA symbols	09-11-2011
4	Updated raw materials table and title box	23-02-2011
3	Updated drawing	10-11-2005
2	Updated total weight	27-03-2002
1	Updated tolerances	02-12-1999
INDEX	MODIFICATION	DATE



CS S.r.l.
 20063 CERNUSCO S/N - VIA COMO, 11
 TEL +39.02.9210.7404 - FAX +39.02.9210.0217
 http://www.csconnectors.com - e-mail: info@csconnectors.com



CHECKED BY	DATE	DESIGN UNITS
Stefano Scaglioni	23-02-2011	METRIC
DRAWN BY	DATE	WEIGHT
Stefano Querzoli	23-02-2011	
CAD REFER	SIZE	SCALE
Y:\dis\es\lk\03\vie\l\modifica_07-11-2014\	A4	2:1
INDEX	INDEX 0	
	15-11-1997	
BASE CODE	DESCRIPTION	
CS-LK03F	3 poles cap housing for LK series terminal Ø2.12 mm	

DIMENSIONS WITHOUT TOLERANCES	CS-LK03F	PA66 UL94 V-2
	CS-LK03FV0	PA6/66 UL94 V-0
	CS-LK03FSTY	PA46 UL94 V-2
	CS-LK03FV0750NF	PA66 UL94 V-0 GWIT 775
	CS-LK03F-G	PA6 UL94 V-2 GWIT 775
	PART NUMBER	MATERIAL

A	0 - 6	±0.1
	6 - 30	±0.2
	> 30	±0.3

1

2

3

4

1

2

3

4