

October 23, 2015

Product change

New packaging for the L1, H25 and H3 series of EPCOS 2-electrode surge arresters

The packaging of the L1, H25 and H3 series of EPCOS 2-electrode surge arresters is being changed to increase the packing quantity and thus reduce packing waste.

The data sheets are being updated accordingly and new ordering codes will be introduced.

Affected products

Type	Old ordering code	Type	New ordering code
L1C-A800XP1	B88069X5731B201	L1C-A800XP1	B88069X5731B401
L1C-A800XP1	B88069X5971B201	L1C-A800XP1	B88069X5971B401
L10-A800XP1	B88069X5451B201	L10-A800XP1	B88069X5451B401
L10-A800XP1	B88069X5791B201	L10-A800XP1	B88069X5791B401
L10-A800XP1	B88069X5461B201	L10-A800XP1	B88069X5461B401
L1B-A800XP1	B88069X6551B201	L1B-A800XP1	B88069X6551B401
L1B-A800XP1	B88069X7221B201	L1B-A800XP1	B88069X7221B401
L1B-A800XP1	B88069X8211B201	L1B-A800XP1	B88069X8211B401
L1B-A800XP1TP	B88069X6861B201	L1B-A800XP1TP	B88069X6861B401
L1B-A800XP1C	B88069X9741B201	L1B-A800XP1C	B88069X9741B401
L1U-A800XP1	B88069X3093B201	L1U-A800XP1	B88069X3093B401
L1V-A800XP1	B88069X2913B251	L1V-A800XP1	B88069X2913B401
H25A-A800XHC	B88069X8331B201	H25A-A800XHC	B88069X8331B251
H25A-A800XP	B88069X8921B201	H25A-A800XP	B88069X8921B251
H25A-B800XP	B88069X8341B201	H25A-B800XP	B88069X8341B251
H25A-E800XP	B88069X8351B201	H25A-E800XP	B88069X8351B251
H25C-A800XP	B88069X1183B201	H25C-A800XP	B88069X1183B251
H25D-E800XP	B88069X1153B201	H25D-E800XP	B88069X1153B251
H30-A800XP	B88069X4491B101	H30-A800XP	B88069X4491B201
H31-E800X	B88069X6661B101	H31-E800X	B88069X6661B201
H38-A800XP	B88069X4511B101	H38-A800XP	B88069X4511B201
H38-E800XP	B88069X6821B101	H38-E800XP	B88069X6821B201

EPCOS AG · A TDK Group Company

Office: St.-Martin-Strasse 53, 81669 Munich · Post: P.O.Box 80 17 09, 81617 Munich, Germany
 Headquarters: Munich · Commercial register of the local court (Amtsgericht): Munich HRB 127250
 Chairman of the Supervisory Board: Dr. Werner Faber
 Management Board: Joachim Zichlarz, Chairman · Joachim Thiele · Dr. Norbert Hess · Christian Block
www.epcos.com

Surge Arresters
 Internal / External

151023AB1e

October 23, 2015

All electrical and mechanical characteristics are unchanged. The type designations and delivery times likewise remain unchanged. The qualification was successfully performed according to our internal green-light release guidelines.

Scheduled date of introduction: February 1, 2016

Enclosure PCN (ID No. PPD23/T120)
Details of new packaging

Contact Wong Huan Chee, PPD AB PM, Johore Bahru

Customers are asked to address inquiries directly to their sales contacts.

Product / Process Change Notification

1. ID No.: PPD23/ T120		2. Date of announcement: October 23, 2015	
3. Product / product group: L1, H25 and H3 series of EPCOS 2-electrode surge arresters	Old ordering code: See annex	New ordering code: See annex	Customer part number:
4. Description of change: The packaging of the L1, H25 and H3 series of EPCOS 2-electrode surge arresters is being changed to increase the packing quantity and thus reduce packing waste. The data sheets are being updated accordingly and new ordering codes will be introduced. Refer to annex for details.			
5. Effect on the product or for the customer (benefit, quality, specification, lead time): Customers can reduce their packaging waste for disposal. The electrical and mechanical characteristics remain unaffected by these changes. The type designations and delivery times remain unchanged.			
6. Quality assurance measures / risk assessment: The qualification is in accordance with our internal green-light quality procedure. The investigations for internal release showed no effects on the mechanical characteristics as a consequence of the change described in item 4. The established control plans will consequently not be changed. All quality assurance measures will be maintained. Samples are available on request.			
7. Scheduled date of change: February 1, 2016			
8. Estimated date of first delivery of changed product: February 1, 2016 If EPCOS does not receive notification to the contrary within a period of 10 weeks, EPCOS assumes that the customer agrees to the change. For an interim period we cannot rule out that old as well as new products will be shipped.			
Quality Management Name Markus Weiglhofer		Signature signed Weiglhofer	
Product Marketing Name Wong Huan Chee Tel. +607 3566 666 Email huanchee.wong@epcos.com		Signature signed Wong	
Customer feedback			
Customer acknowledgement		Signature	

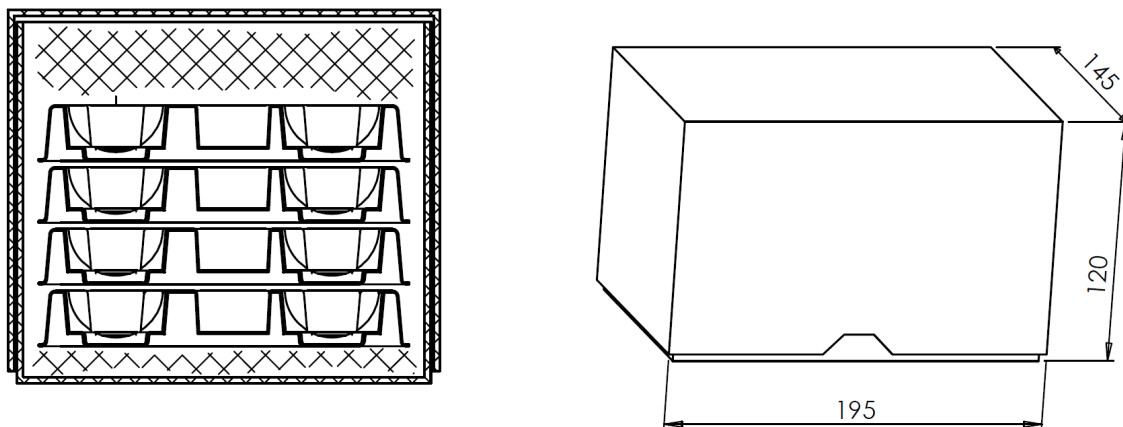
Annex to UPtoDATE PPD23/T120 of October 23, 2015 /

New packaging of the L1, H25 and H3 series EPCOS 2-electrode surge arresters

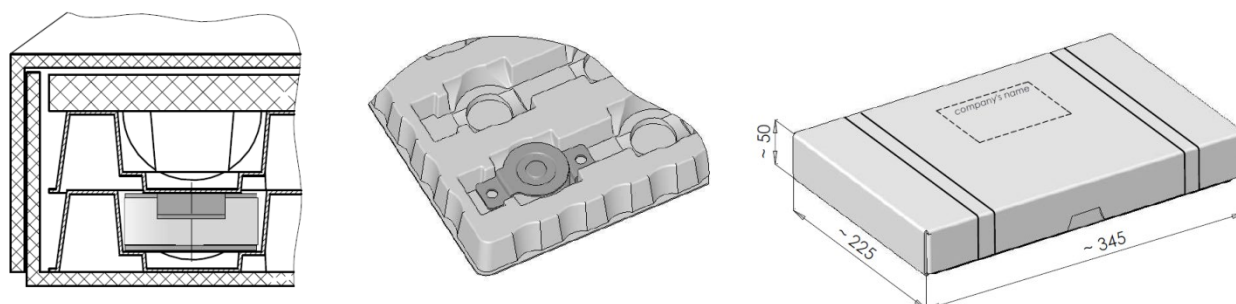
1. Comparison between old and new packaging

Current			New		
Type	Ordering code	Qty: pcs	Type	Ordering code	Qty: pcs
L1C-A800XP1	B88069X5731B201	20	L1C-A800XP1	B88069X5731B401	40
L1C-A800XP1	B88069X5971B201	20	L1C-A800XP1	B88069X5971B401	40
L10-A800XP1	B88069X5451B201	20	L10-A800XP1	B88069X5451B401	40
L10-A800XP1	B88069X5791B201	20	L10-A800XP1	B88069X5791B401	40
L10-A800XP1	B88069X5461B201	20	L10-A800XP1	B88069X5461B401	40
L1B-A800XP1	B88069X6551B201	20	L1B-A800XP1	B88069X6551B401	40
L1B-A800XP1	B88069X7221B201	20	L1B-A800XP1	B88069X7221B401	40
L1B-A800XP1	B88069X8211B201	20	L1B-A800XP1	B88069X8211B401	40
L1B-A800XP1TP	B88069X6861B201	20	L1B-A800XP1TP	B88069X6861B401	40
L1B-A800XP1C	B88069X9741B201	20	L1B-A800XP1C	B88069X9741B401	40
L1U-A800XP1	B88069X3093B201	20	L1U-A800XP1	B88069X3093B401	40
L1V-A800XP1	B88069X2913B251	25	L1V-A800XP1	B88069X2913B401	40

Drawing of old packaging, Qty: 20 pcs



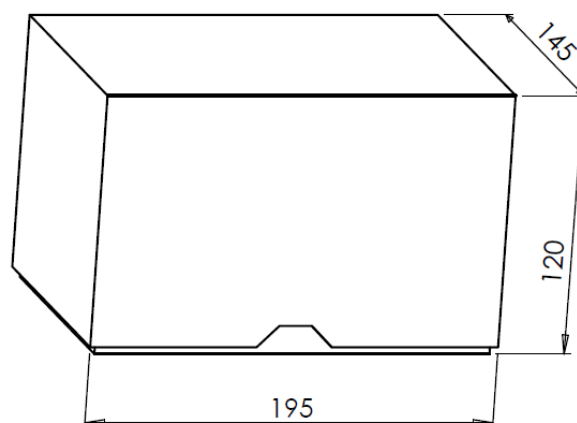
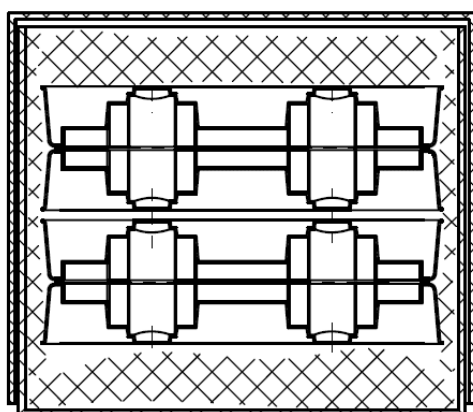
Drawing of new packaging, Qty: 40 pcs



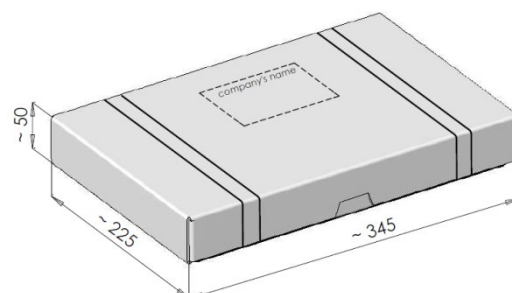
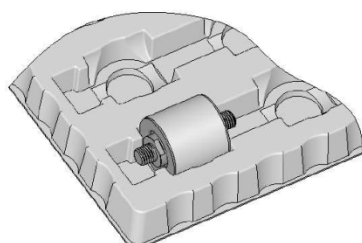
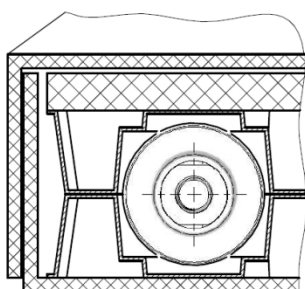
2. Comparison between old and new packaging

Current			New		
Type	Ordering code	Qty: pcs	Type	Ordering code	Qty: pcs
H25A-A800XHC	B88069X8331B201	20	H25A-A800XHC	B88069X8331B251	25
H25A-A800XP	B88069X8921B201	20	H25A-A800XP	B88069X8921B251	25
H25A-B800XP	B88069X8341B201	20	H25A-B800XP	B88069X8341B251	25
H25A-E800XP	B88069X8351B201	20	H25A-E800XP	B88069X8351B251	25
H25C-A800XP	B88069X1183B201	20	H25C-A800XP	B88069X1183B251	25
H25D-E800XP	B88069X1153B201	20	H25D-E800XP	B88069X1153B251	25

Old packaging, Qty: 20 pcs



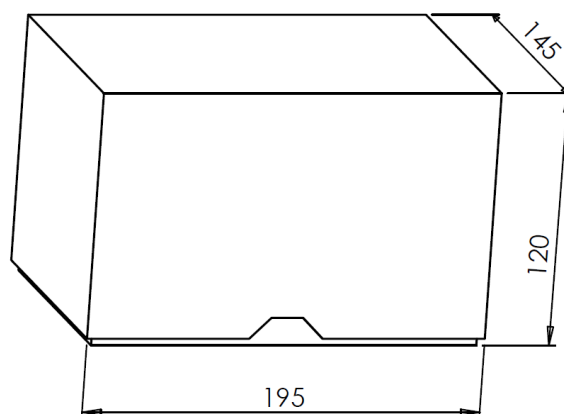
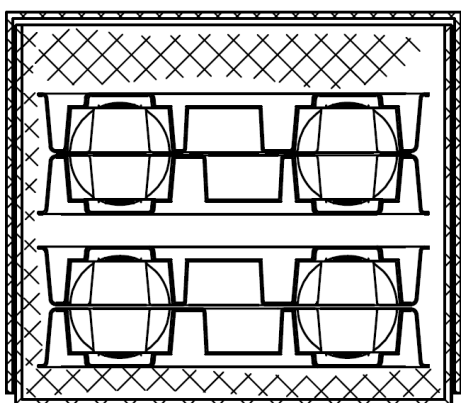
New packaging, Qty: 25 pcs



3. Comparison between old and new packaging

Current			New		
Type	Ordering code	Qty: pcs	Type	Ordering code	Qty: pcs
H30-A800XP	B88069X4491B101	10	H30-A800XP	B88069X4491B201	20
H31-E800X	B88069X6661B101	10	H31-E800X	B88069X6661B201	20
H38-A800XP	B88069X4511B101	10	H38-A800XP	B88069X4511B201	20
H38-E800XP	B88069X6821B101	10	H38-E800XP	B88069X6821B201	20

Old packaging, Qty: 10 pcs



New packaging, Qty: 20 pcs

