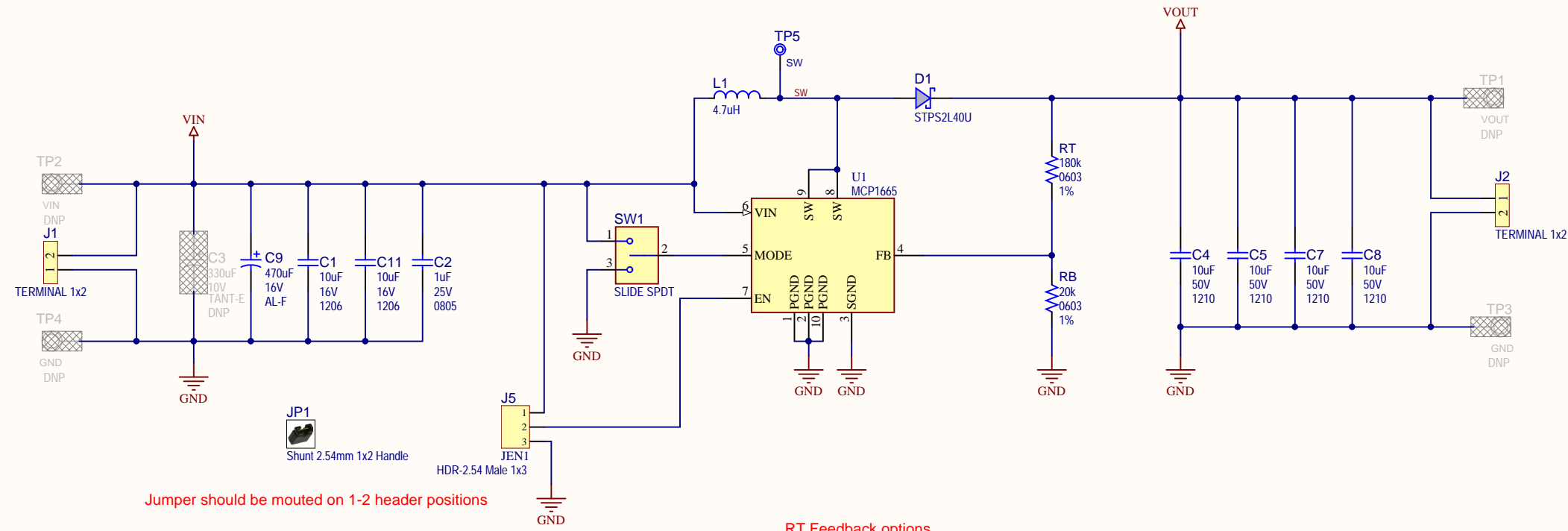
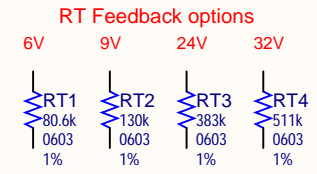


REV	ECO#	DESCRIPTION	DATE



Jumper should be mouted on 1-2 header positions



LABEL1
02- -R1
JIT
LABEL Need Help Small

PAD1 Rubber Pad Cyl D7.9H5.3
PAD2 Rubber Pad Cyl D7.9H5.3
PAD3 Rubber Pad Cyl D7.9H5.3
PAD4 Rubber Pad Cyl D7.9H5.3

Drawn By: Florin Bolea	MICROCHIP
Engineer: Florin Bolea	
PartNumber: ADM00865	Project Title MCP1665 12V Boost Converter Eval Bd
Sheet Title MCP1665 Evaluation Board	Designed with Altium
Size B	Sch #03-10713 Date: 9/29/2017 11:58:44 AM
Revision:1	Sheet 1 of 1
File: MCP1665.SchDoc	