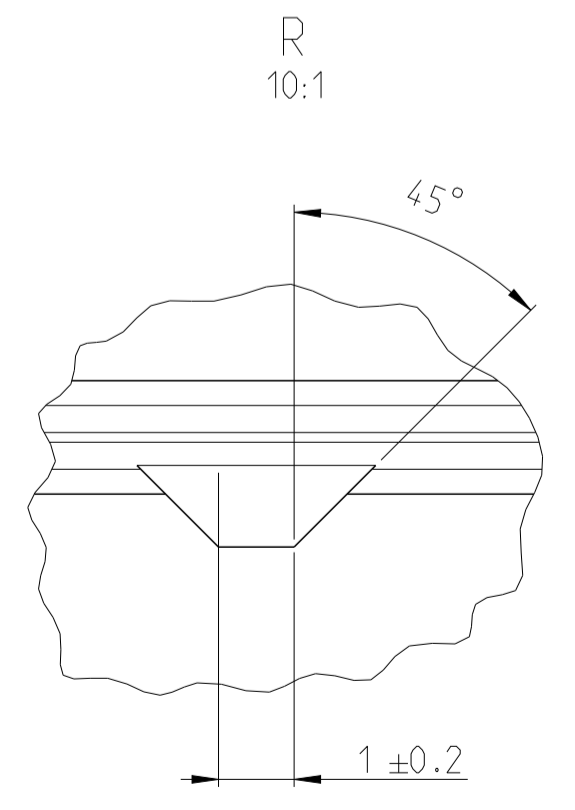
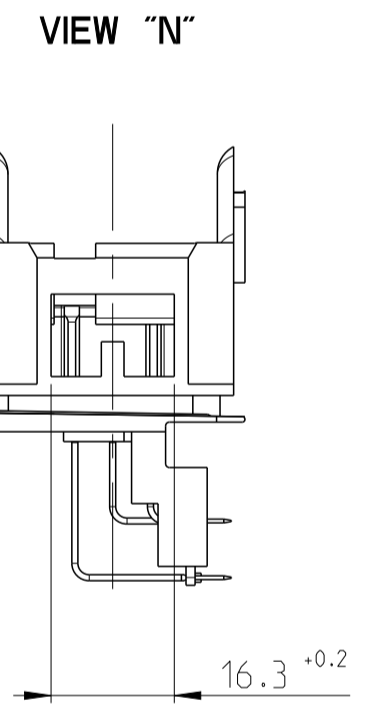
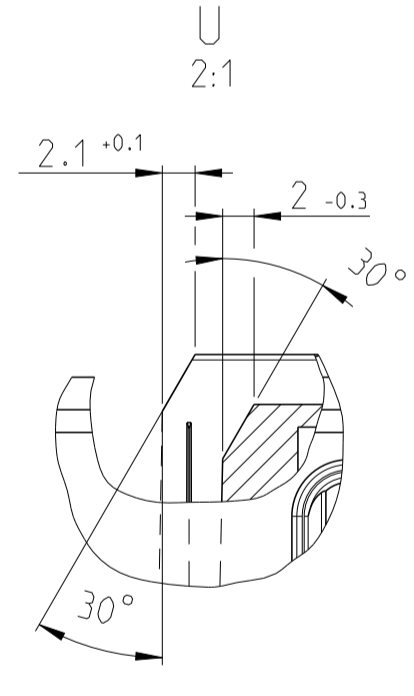
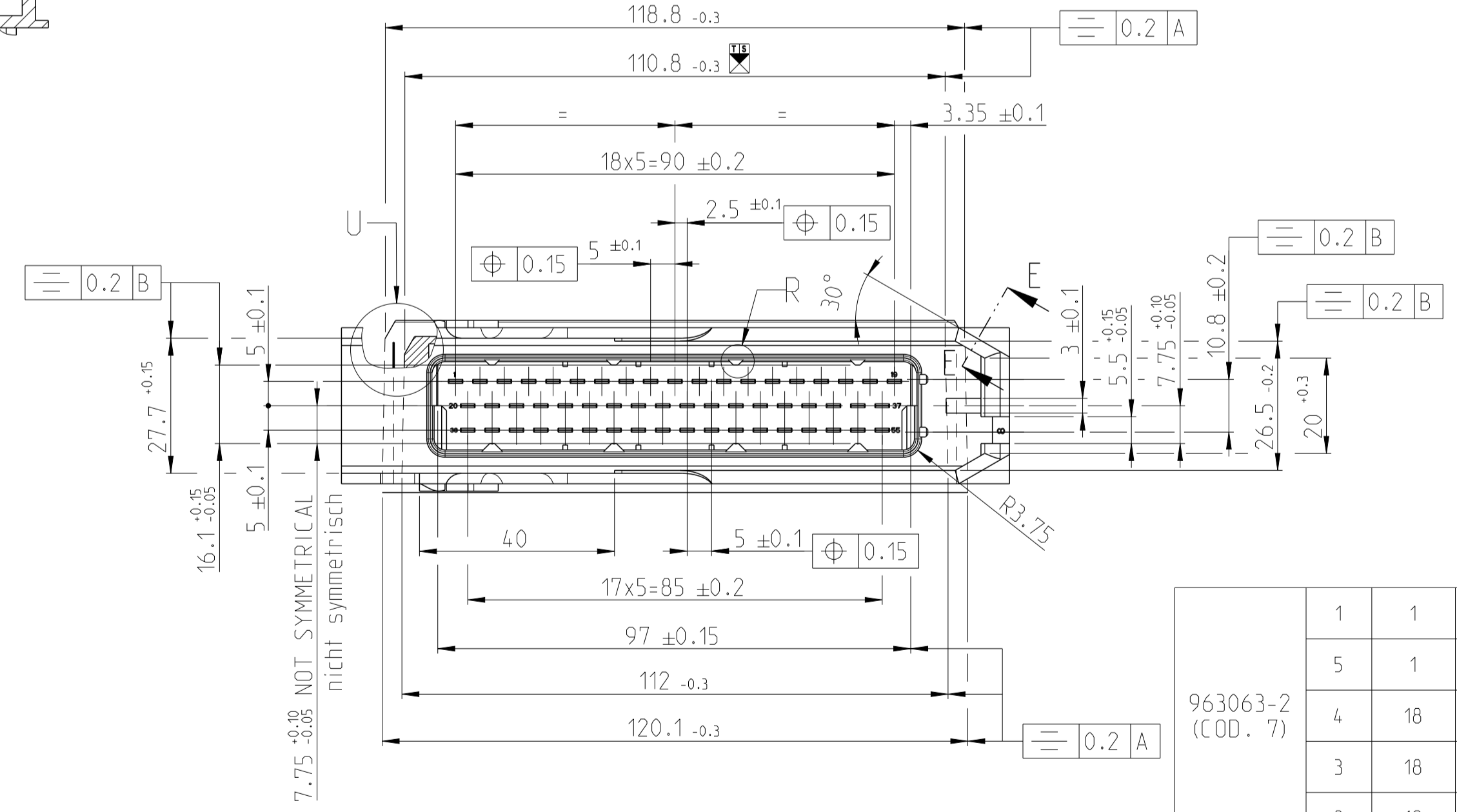
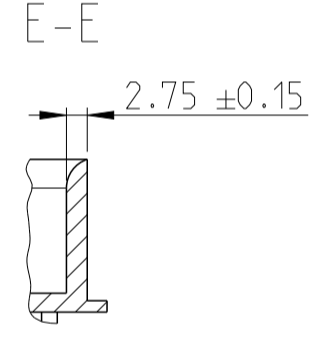
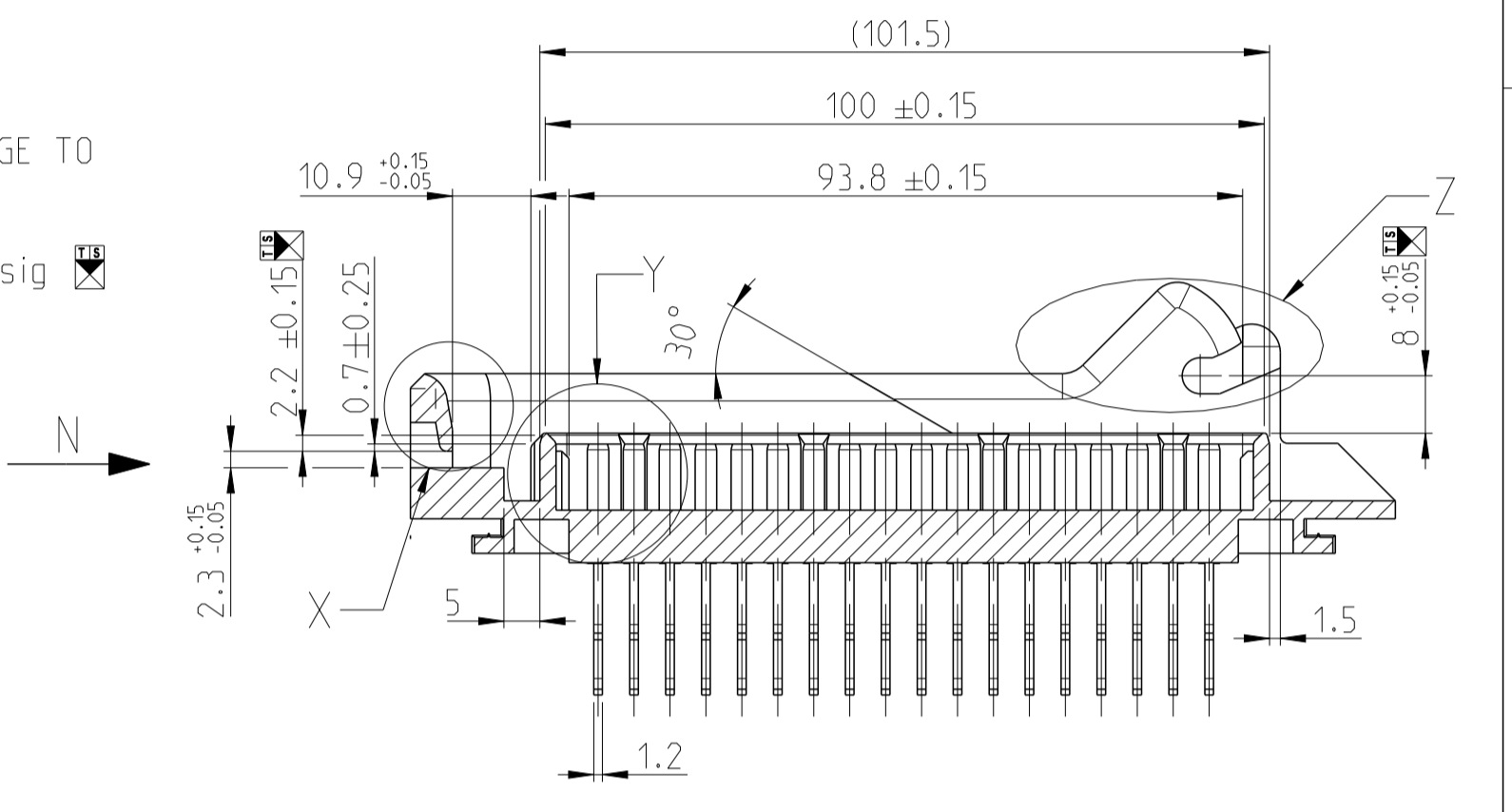
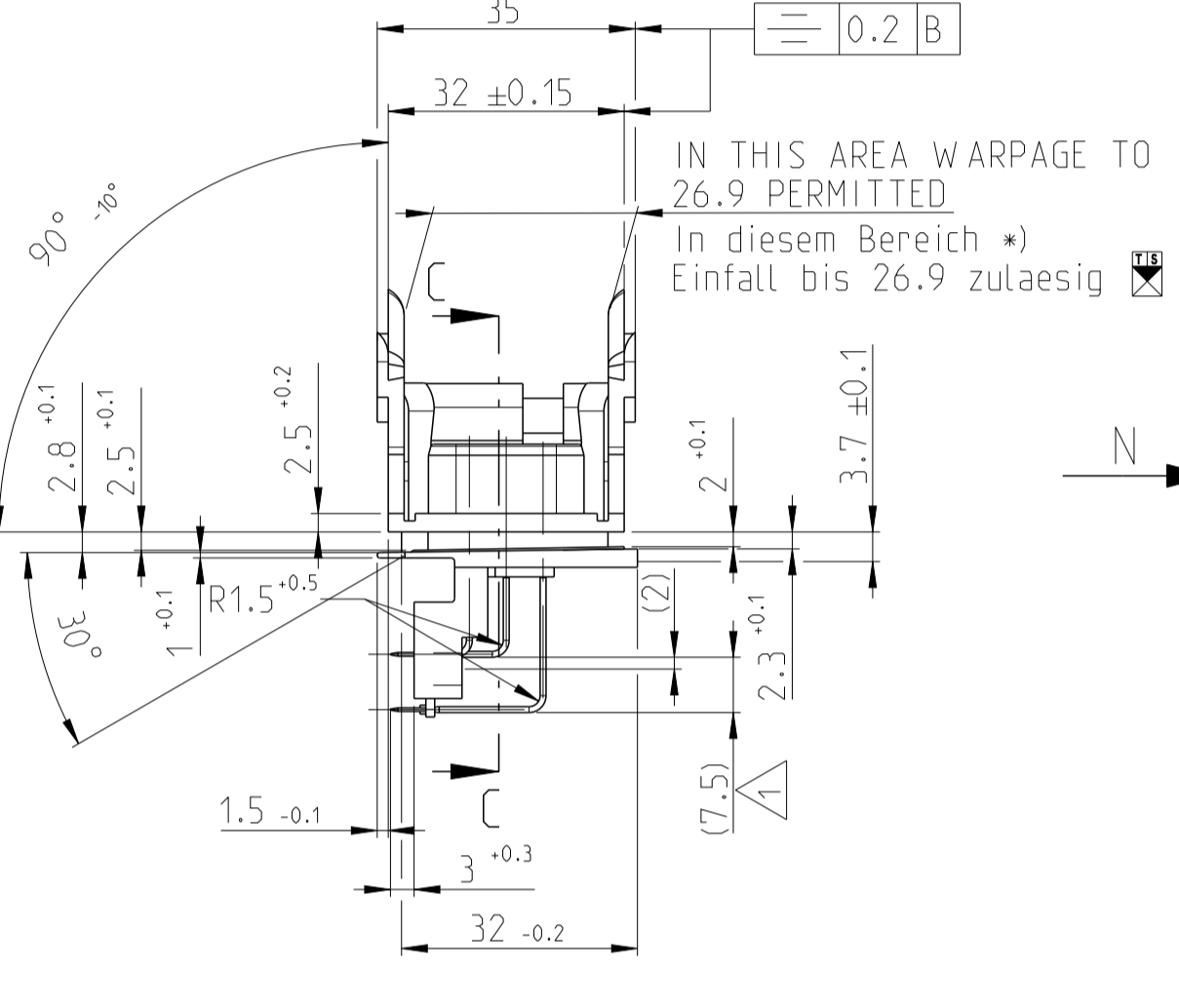
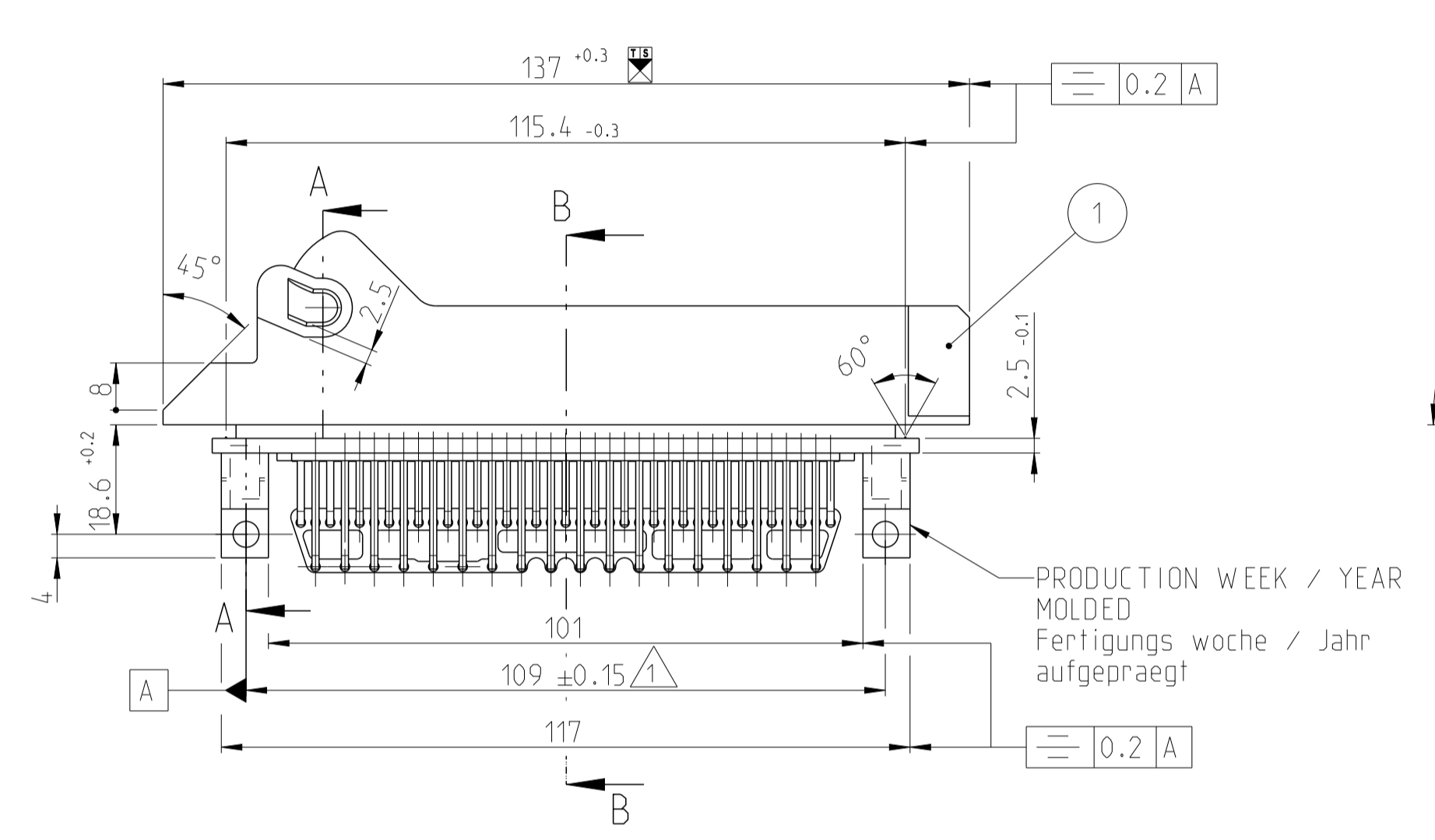
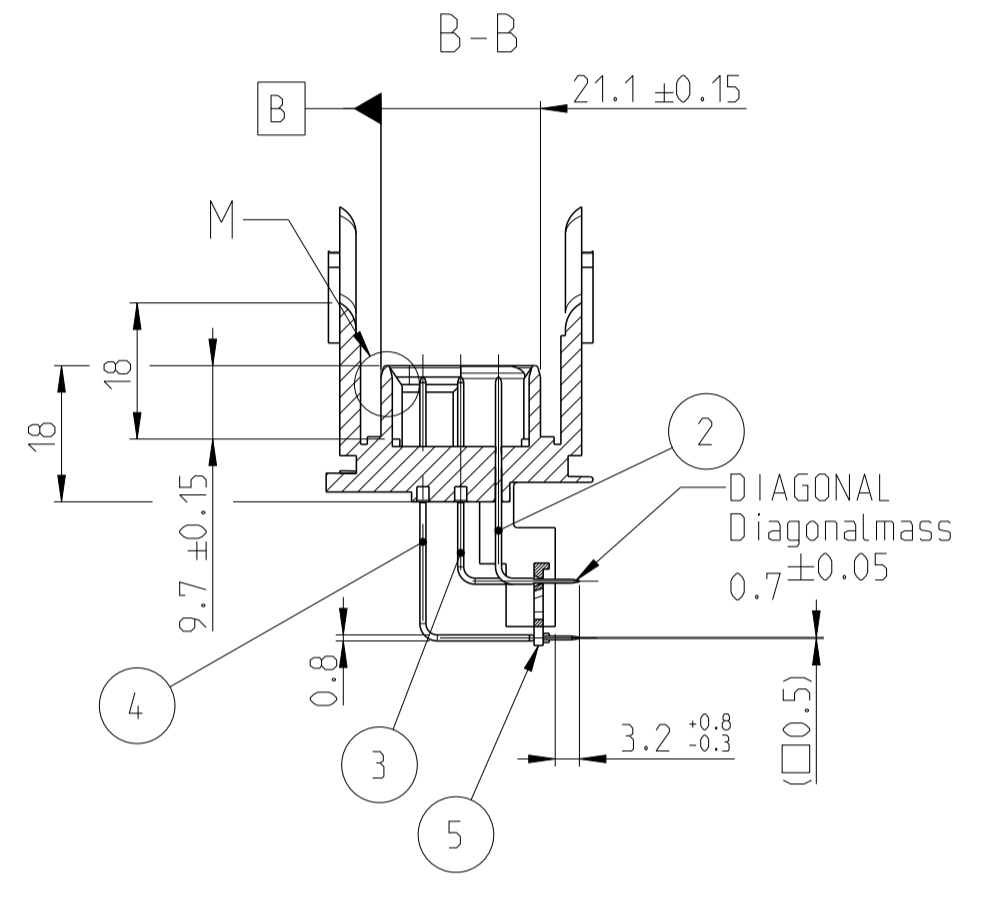
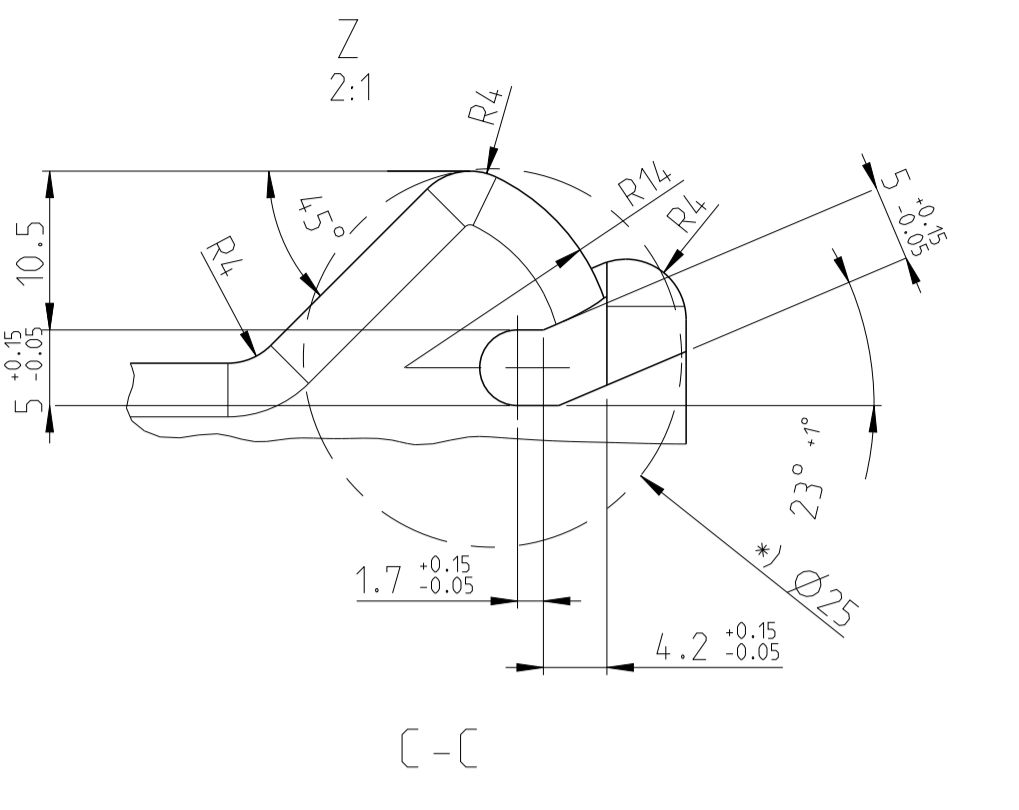
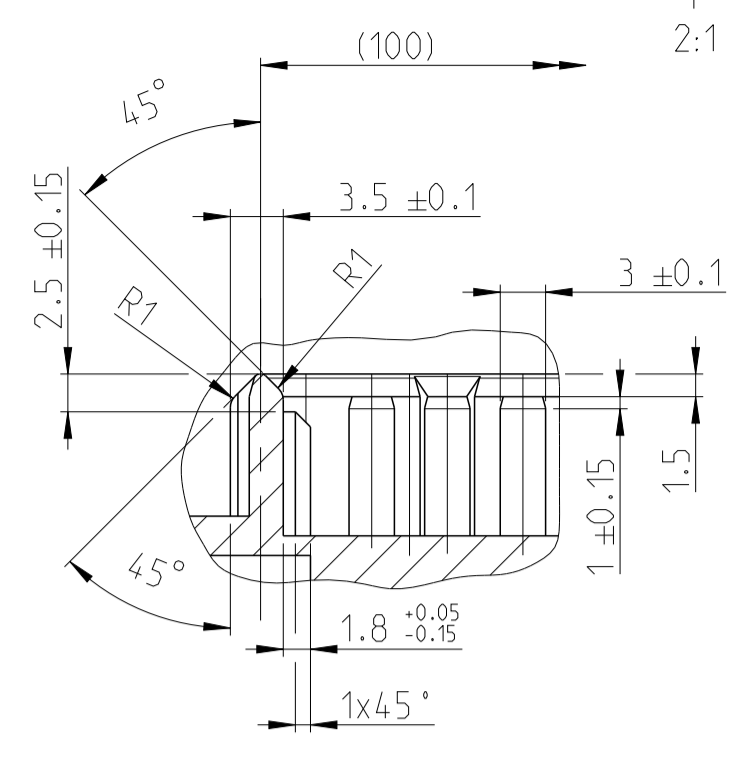
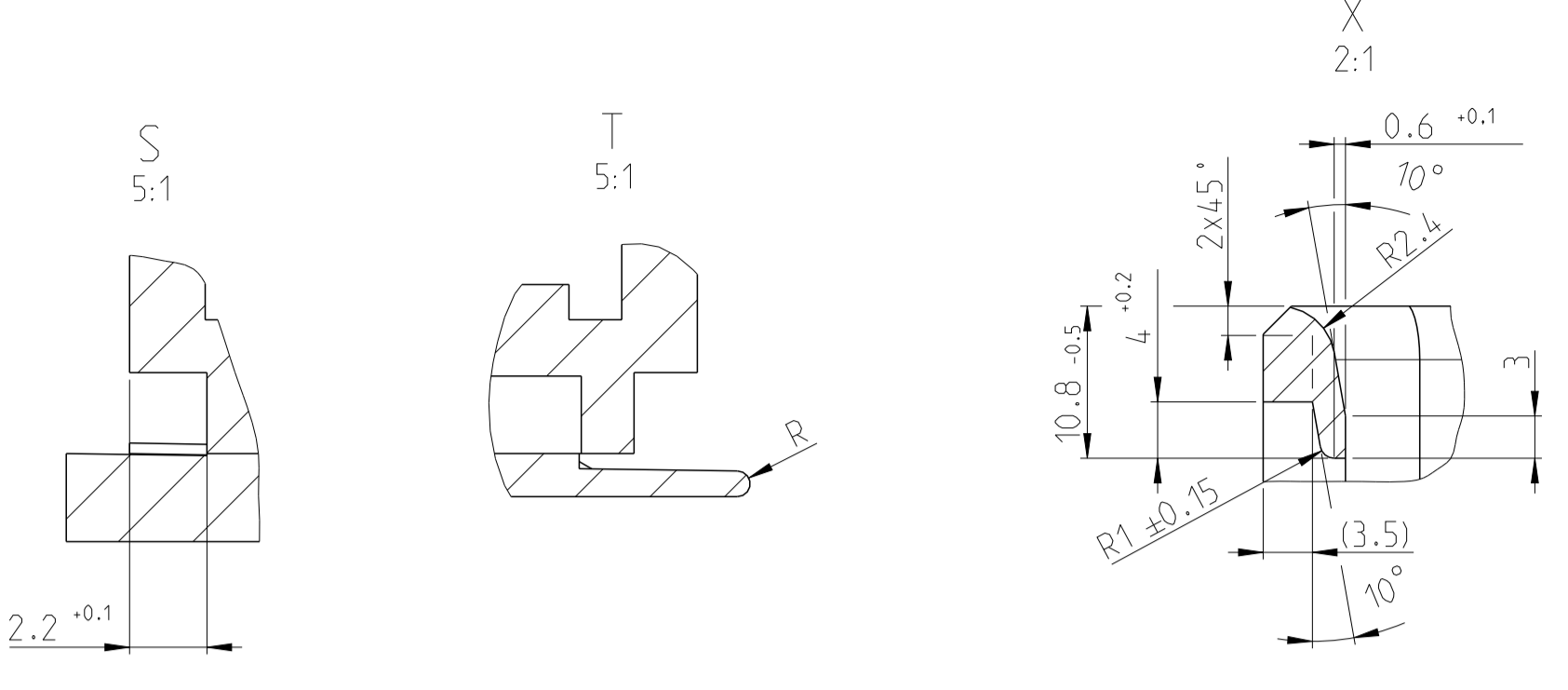
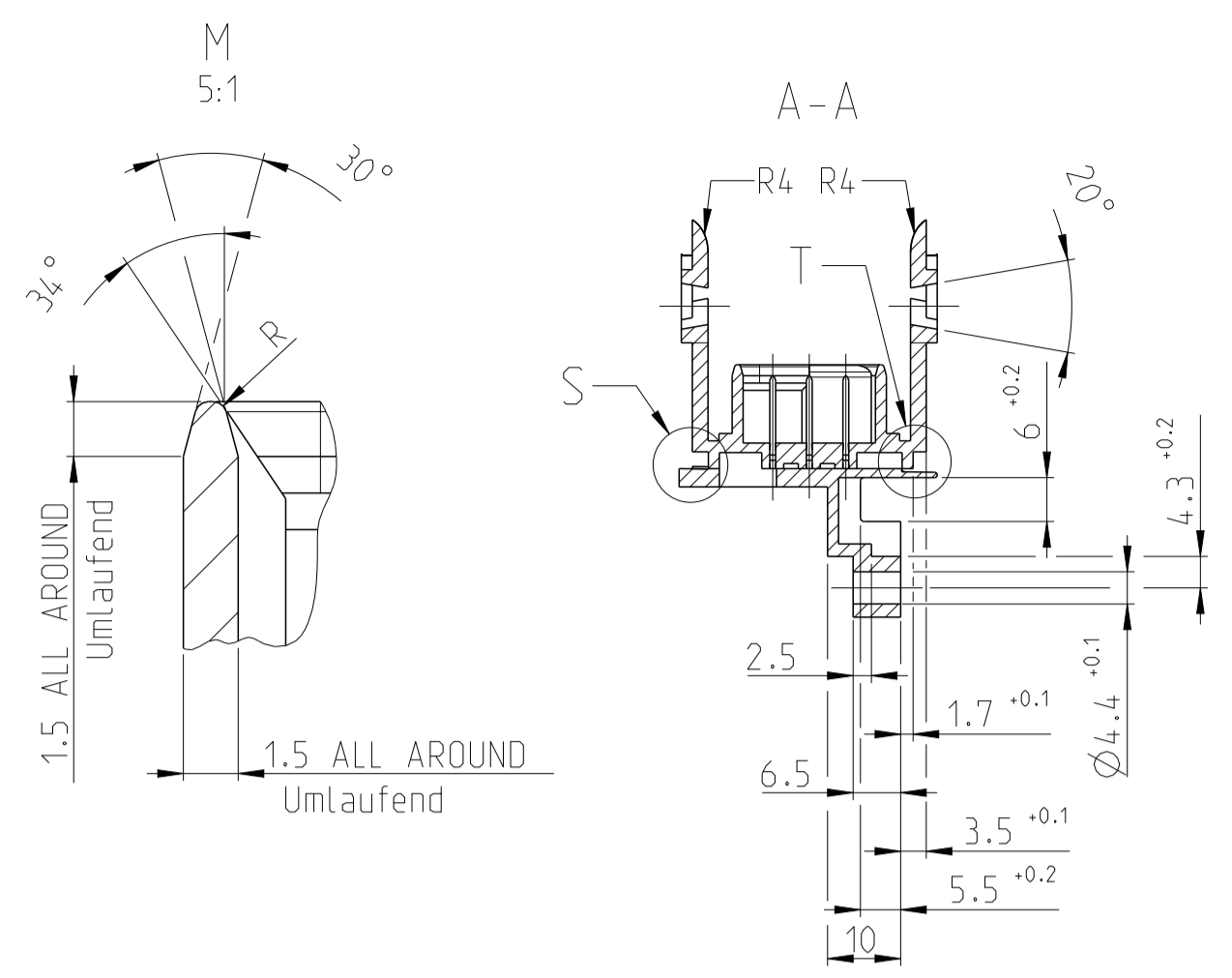


REVISIONS				
NO.	DATE	DESCRIPTION	BY	APPD.
A	26.JUL.2018	NEW CREO DRAWING	JP	KG



PN / BESTELL-NR.	POS.	PCS / STUECK	COMPONENT NAME / BENENNUNG EINZELTEIL	MATERIAL / WERKSTOFF	SURFACE / OBERFLAECHE	COLOR / FARBE
963063-2 (COD. 7)	1	1	55 Pos. CONNECTOR / Messerleiste	PA 6.6 GV35	BLACK / Schwarz	
	5	1	CENTER PLATE / Zentrierplatte	CRASTIN1056GV10	BLACK / Schwarz	
	4	18	TAB	CuZn30F53	TIN / Verzinkt	
	3	18	TAB	CuZn30F53	TIN / Verzinkt	
	2	19	TAB	CuZn30F53	TIN / Verzinkt	
963063-1 (COD. 8)	5	1	CENTER PLATE / Zentrierplatte	CRASTIN1056GV10	BLACK / Schwarz	
	4	18	TAB	CuZn30F53	TIN / Verzinkt	
	3	18	TAB	CuZn30F53	TIN / Verzinkt	
	2	19	TAB	CuZn30F53	TIN / Verzinkt	
	1	1	55 Pos. CONNECTOR / Messerleiste	PA 6.6 GV35	BLACK / Schwarz	

DIMENSIONS: mm		TOLERANCES UNLESS OTHERWISE SPECIFIED:	
0 PLC	#	#	#
1 PLC	# ±0.2	#	#
2 PLC	# ±0.1	#	#
3 PLC	# ±0.1	#	#
4 PLC	# ±0.1	#	#
ANGLES	# ±1	#	#
MATERIAL	#	#	#
FINISH	#	#	#

CUSTOMER SPECIFIC FOR SIEMENS  
 Kundenspezifisch fuer Siemens  
 PCB MOUNTING POSITION  
 Loetanschlussmasse Lehrenhaltig

THIS DRAWING IS A CONTROLLED DOCUMENT.

DMN: SCHWAEGER 13DEC1988  
 CHK: RYLL 13DEC1988

**STE** TE Connectivity

NAME: 55 POS. HSG. WITH JUNIOR-TIMER TAB'S  
 PRODUCT SPEC: -  
 APPLICATION SPEC: 55-pol. Messerleiste mit J.T - TAB'S

SIZE: A1 CAGE CODE: 00779 DRAWING NO: 963063  
 WEIGHT: -  
 CUSTOMER DRAWING: -

SCALE: 1:1 SHEET: 1 OF 1 REV: A