

DESCRIPTION: COAXIAL - RIGHT ANGLE - FEMALE - MACHINED

UNITS = INCHES [MM]

**SPECIFICATIONS:**

**ELECTRICAL:**

INSULATOR RESISTANCE: 5 GOHMS Min.  
 OPERATING TEMPERATURE: -55° C ~ +125° C  
 CONTACT RESISTANCE: 2.7 Milliohms Max.  
 COAXIAL PINS: 50 OHM

**MECHANICAL:**

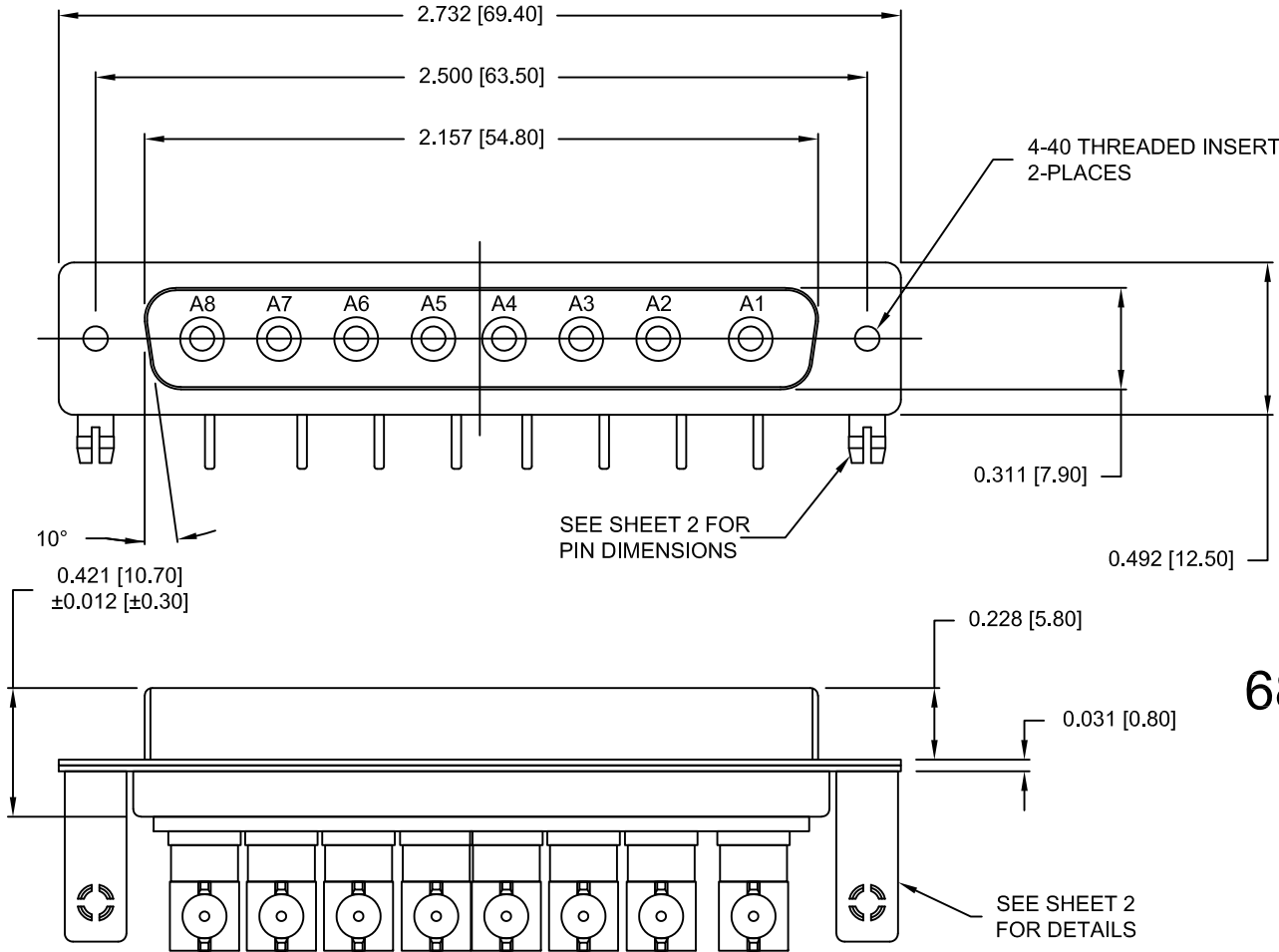
CONTACT INSERTION FORCE: 4.5 Kg Max.  
 CONTACT SEPARATOR FORCE: 0.3Kg Min.

**MATERIALS:**

CONTACTS: COPPER ALLOY  
 INSULATOR: PBT UL94V-0 RATED, BLACK  
 230°C PROCESS TEMP.  
 SHELL: STEEL

**FINISH:**


SHELL: NICKEL  
 CONTACTS: FULL GOLD FLASH



**685M8W8203L461**

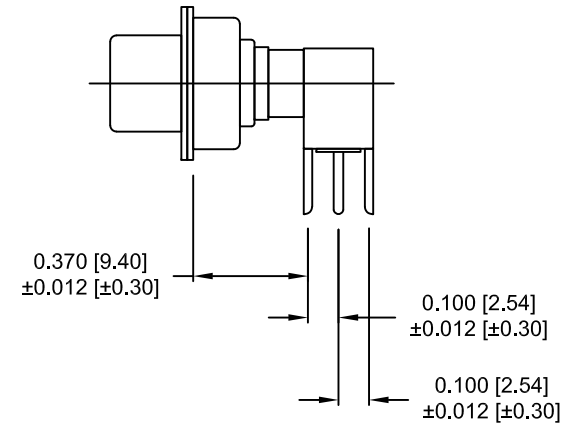
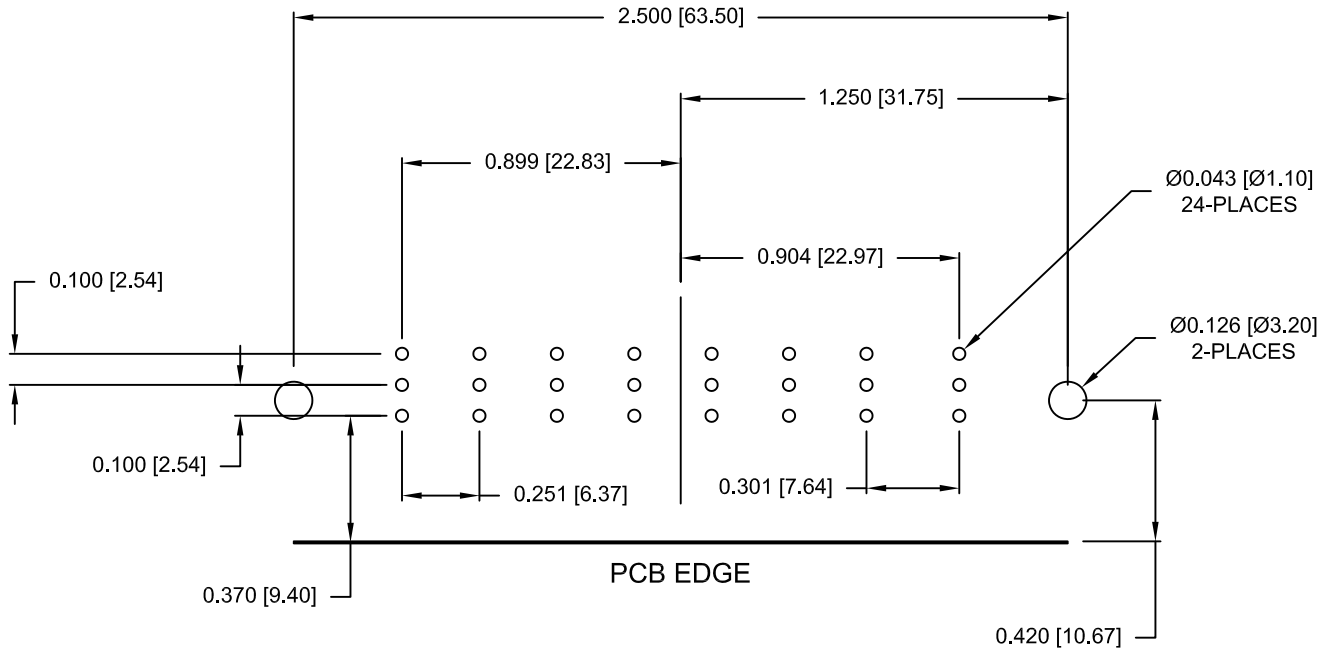
46 = 4-40 INSERTS / BOARD LOCKS

**RoHS COMPLIANT**

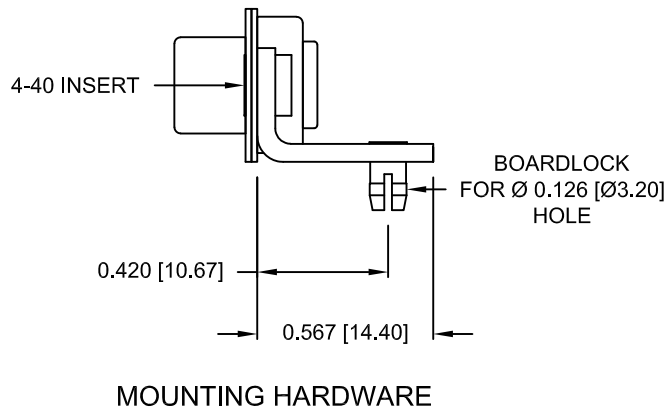
	THESE DRAWINGS AND SPECIFICATIONS ARE THE PROPERTY OF NorComp AND SHALL NOT BE REPRODUCED, COPIED OR USED AS THE BASIS FOR THE MANUFACTURE OR SALE OF APPARATUS WITHOUT WRITTEN PERMISSION.		DRAWN: M. SIGMON	DATE: 03-10-14
	NorComp		SCALE: 1.5 = 1	SHEET 1 OF 2
DWG NO. 685M8W8203L461				

DESCRIPTION: 685M SERIES CONTACTS


NOTE:  
COAXIAL CONTACTS COME  
PRE-LOADED INTO INSULATORS



50 OHM COAXIAL CONTACT



RoHS COMPLIANT

	THESE DRAWINGS AND SPECIFICATIONS ARE THE PROPERTY OF NorComp AND SHALL NOT BE REPRODUCED, COPIED OR USED AS THE BASIS FOR THE MANUFACTURE OR SALE OF APPARATUS WITHOUT WRITTEN PERMISSION.		DRAWN: M. SIGMON	DATE: 03-10-14
	<h1>NorComp</h1>		SCALE: 1.5 = 1	SHEET 2 OF 2
			DWG NO. 685M8W8203L461	