



# Product Change Notification

## TE Connectivity

Product Change Notification: PCN-22-137634

PCN Date: 29-APR-22

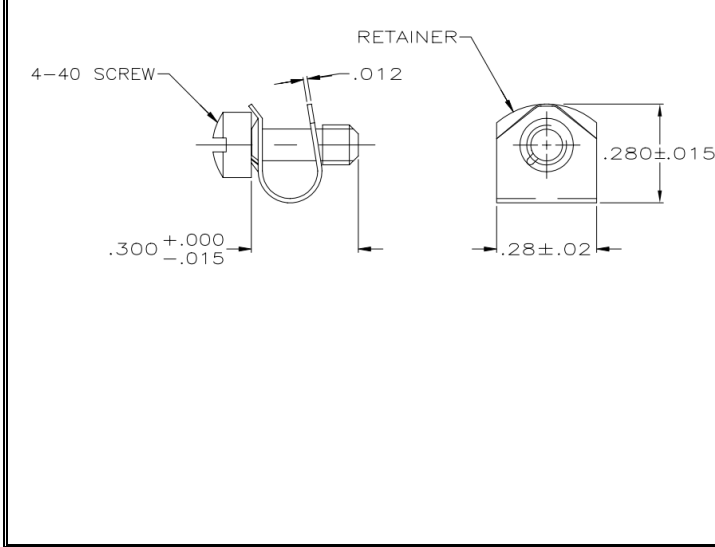
TE would like to inform you of the following change(s) to the listed TE Connectivity Product. In case of any further questions about this change(s), please contact your TE Connectivity Sales Engineer. Affected part, drawing and/or specification numbers are listed on the attached sheet(s).

**General Product Description:**  
SCREW RETAINER KIT

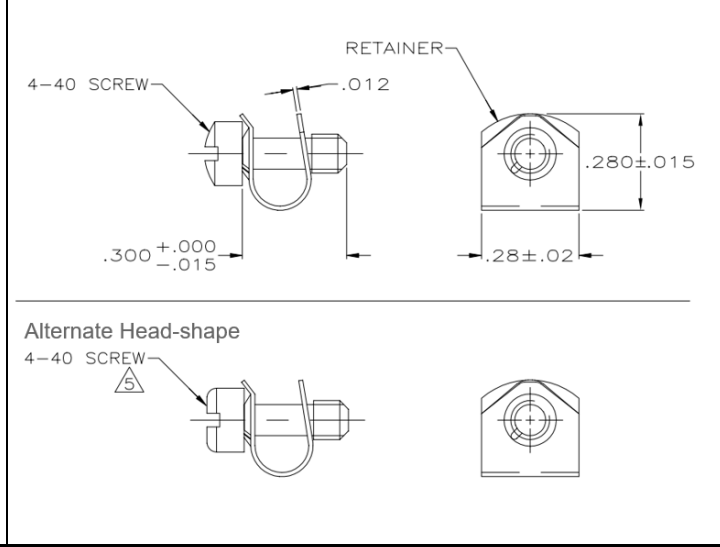
**Description of Changes**

SCREW RETAINER KIT, .135 FLANGE, LOW PROFILE, AMPLIMITE HDF

Only one screw head-shape available



Alternate screw head-shape added



**Reason for Changes:**  
Alternate Screw Headshape | Customer Intimation

<b>PCN Attributes:</b>	
<b>Product Category:</b> Connector Kit	<b>Kind of Change:</b> Drawing
<b>Change Feature:</b> Drawing Change	<b>Potential Customer Impact:</b> No Customer Impact
<b>Remarks:</b>	

<b>Estimated Dates:</b>	
<b>Last Order Date (Obsolete Parts Only):</b>	<b>First Ship Date of Changed Items (Changed Parts Only):</b> 05-MAY-2022
<b>Last Ship Date of Changed Items (Obsolete Parts Only):</b>	<b>Last Date for Mixed Shipments: (Changed Parts Only):</b> No Mixed Shipments
<b>Effectivity Date:</b>	<b>Date of First Samples:</b>

**Part Number(s) being Modified:**

Part Number	Part Discontinued per PCN	Customer Drawing	Customer Part Number	Alias Part Number(s)	Substitute Part Number	Substitute Alias Part Number(s)	Description Of Difference
<a href="#">5746879-1</a>	NO						
<a href="#">5746881-1</a>	NO			"2-42934-1478"			
<a href="#">5746881-2</a>	NO						

The documents listed below are being modified. Related parts that are not explicitly listed on this PCN are not being modified or discontinued as per the PCN. The Last Order Date, Last Ship Date, First Date to Ship Changed Parts and last date for Mixed Shipments apply only to parts explicitly listed on this PCN.

**Customer Drawing(s) Being Modified:**

Drawing Number	Related Part Number	Customer Part Number	Current Revision	New Revision
<a href="#">5746879</a>	5746879-1		A	
<a href="#">5746881</a>	5746881-2, 5746881-1		A1	

**Part Number(s) being Modified:**

Part Number	Part Discontinued per PCN	Customer Drawing	Customer Part Number	Alias Part Number(s)	Substitute Part Number	Substitute Alias Part Number(s)	Description Of Difference
<a href="#">5746881-1</a>	NO			"2-42934-1478"			

The documents listed below are being modified. Related parts that are not explicitly listed on this PCN are not being modified or discontinued as per the PCN. The Last Order Date, Last Ship Date, First Date to Ship Changed Parts and last date for Mixed Shipments apply only to parts explicitly listed on this PCN.

**Customer Drawing(s) Being Modified:**

Drawing Number	Related Part Number	Customer Part Number	Current Revision	New Revision
<a href="#">5746881</a>	5746881-1		A1	

**Part Number(s) being Modified:**

Part Number	Part Discontinued per PCN	Customer Drawing	Customer Part Number	Alias Part Number(s)	Substitute Part Number	Substitute Alias Part Number(s)	Description Of Difference
<a href="#">5746879-1</a>	NO						
<a href="#">5746881-1</a>	NO			"2-42934-1478"			
<a href="#">5746881-2</a>	NO						

The documents listed below are being modified. Related parts that are not explicitly listed on this PCN are not being modified or discontinued as per the PCN. The Last Order Date, Last Ship Date, First Date to Ship Changed Parts and last date for Mixed Shipments apply only to parts explicitly listed on this PCN.

**Customer Drawing(s) Being Modified:**

Drawing Number	Related Part Number	Customer Part Number	Current Revision	New Revision
<a href="#">5746879</a>	5746879-1		A	
<a href="#">5746881</a>	5746881-2		A1	