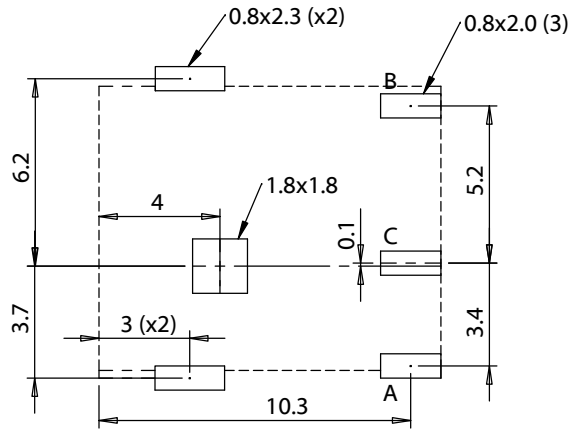
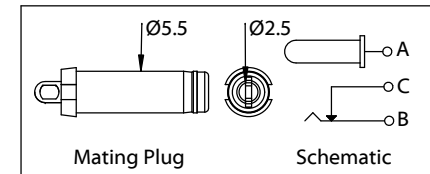
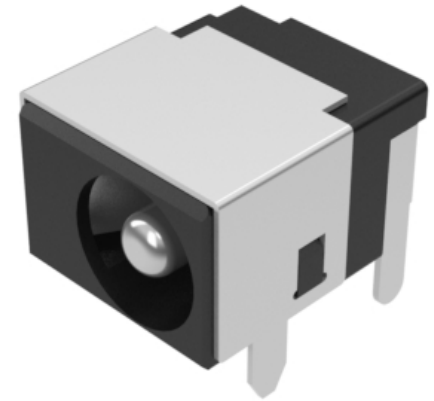


SECTION A-A

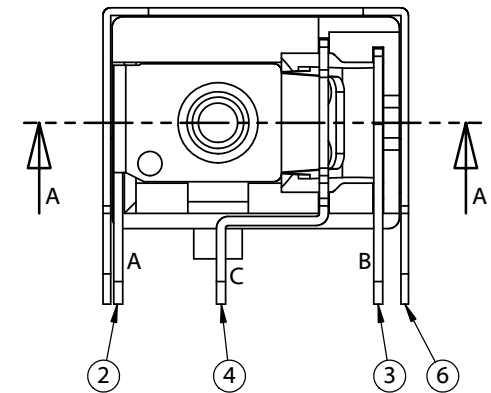
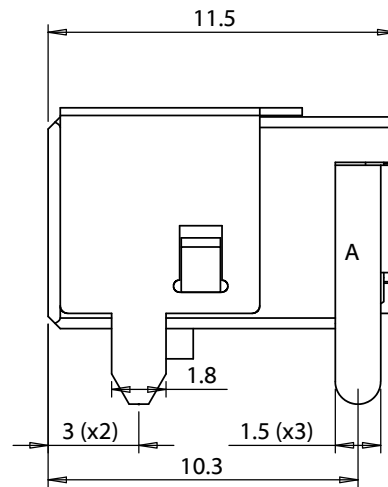
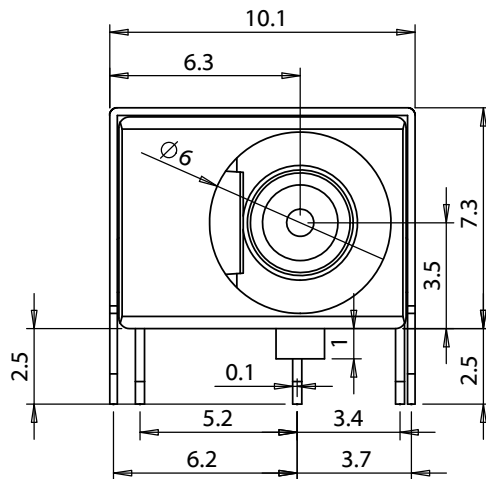


P.C.B. Layout



Mating Plug

Schematic



| | | | | | |
|-----------|-----------|-----------------|---------------------------------------------------------------------------------------------------------------|-------------------------------------------------------------------------|--------------------------|
| Revision: | Date: | Description: | Prepared: | Notes: | <h1>TENSILITY</h1> |
| A | 9/24/2018 | Initial release | Verified: | | |
| | | | Dimensions are in millimeters. Tolerances: < 1.0: ± 0.1 mm 1.0 to 10.0: ± 0.2 mm > 10.0: ± 0.3 mm | Description: | Size: Part number: |
| | | | | Connector, dc jack 5.5x2.5 mm, PCB mount, 90°, silver plated, thru hole | A 54-00128 |
| | | | | | Scale: 4:1 Sheet 1 of 2 |

