

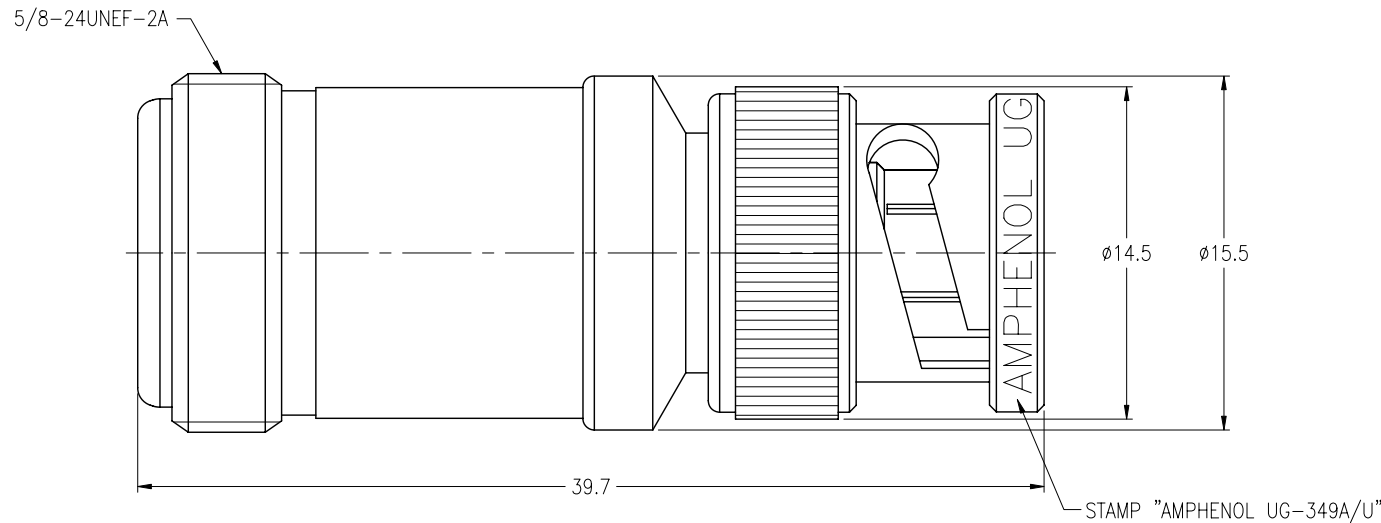
NOTES:

1. MATERIALS AND FINISHES  
 BODY - BRASS, NICKEL PLATING  
 CONTACT - BERYLLIUM COPPER, SILVER PLATING  
 INSULATOR - PTFE
2. ELECTRICAL:  
 A. IMPEDANCE: 50 OHM  
 C. FREQUENCY RANGE: DC 0-11 GHz  
 C. DIELECTRIC WITHSTANDING VOLTAGE: 2500 VRMS, MIN.
3. MECHANICAL:  
 A. DURABILITY: 500 CYCLES MIN.  
 B. TEMPERATURE RANGE: - 65°C to +165°C

THIRD ANGLE PROJ.

REVISIONS

REV	DESCRIPTION	DATE	ECO	APPR
B	SEE SHEET 1	05-Mar-08	--	AW
Y	REDRAWN TO UPDATE FORMAT	11-Dec-08	47205	SH
AA	SEE SHEET 1	21-Dec-09	47888	SH
AB	STAMP "AMPHENOL" WAS "74868"\RD-DM11120601R3	26-Dec-11	48844	SH



**CUSTOMER OUTLINE DRAWING**  
 ALL OTHER SHEETS ARE FOR INTERNAL USE ONLY

UNLESS OTHERWISE SPECIFIED, DIMENSIONS ARE IN METRIC AND TOLERANCES ARE:  
 <math>< 0.5\text{mm}</math>    <math>0.5 - 6\text{mm}</math>    <math>6 - 30\text{mm}</math>    <math>30 - 120\text{mm}</math>    ANGLES  
 <math>\pm 0.05\text{mm}</math>    <math>\pm 0.1\text{mm}</math>    <math>\pm 0.2\text{mm}</math>    <math>\pm 0.3\text{mm}</math>    <math>\pm 1^\circ</math>

NOTICE - These drawings, specifications, or other data (1) are, and remain the property of Amphenol Corp. (2) must be returned upon request; and (3) are confidential and not to be disclosed to any person other than those to whom they are given by Amphenol Corp. The furnishing of these drawings, specifications, or other data by Amphenol Corp., or to any other person to anyone for any purpose is not to be regarded by implication or otherwise in any manner licensing, granting rights or permitting such holder or any other person to manufacture, use or sell any product, process or design, patented or otherwise, that may in any way be related to or disclosed by said drawings, specifications, or other data.

MATERIAL	DRAWN	DATE	TITLE			Amphenol RF Danbury CT USA, Tainan Taiwan, Shenzhen China www.amphenolrf.com
	R.MAO	12-Dec-11	ADAPTER "N" FEMALE & "BNC" MALE CONN UG349A/U			
REFERENCE	ENGINEER	DATE	SCALE: 3/1			DRAWING NO.
	C.WANG	21-Dec-09	SHEET 2 OF 2			31-217
FINISH	APPROVED	DATE	DWG SIZE	CODE ID	REV	ITEM NO.
	S.HSIEH	12-Dec-11	B	74868	AB	31-217
	CAD FILE					PART NO.
	F:\DWG\CNPD\31\217-ABSZ					31-217