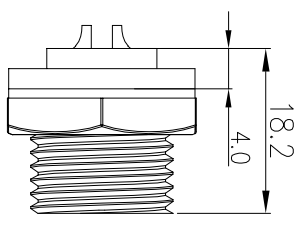
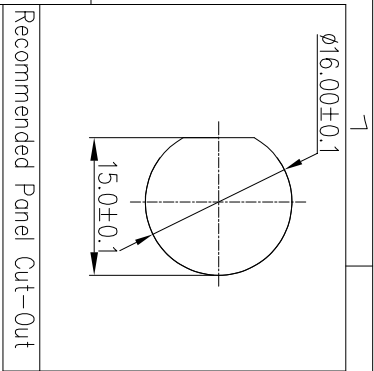
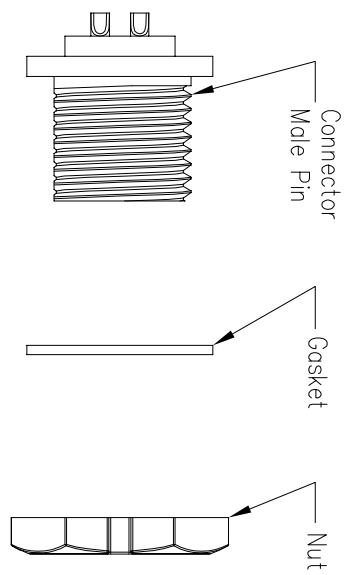
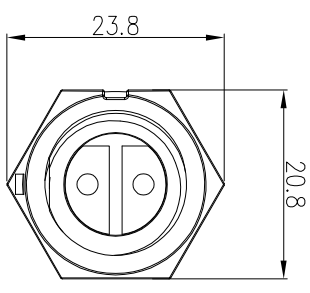
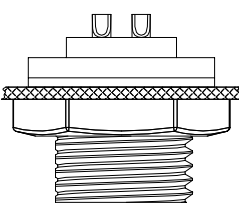


REV.	EN. NO.	DESCRIPTION	SIGN	DATE
C1	N/A	INITIAL DRAWING	Liu	2019/08/13

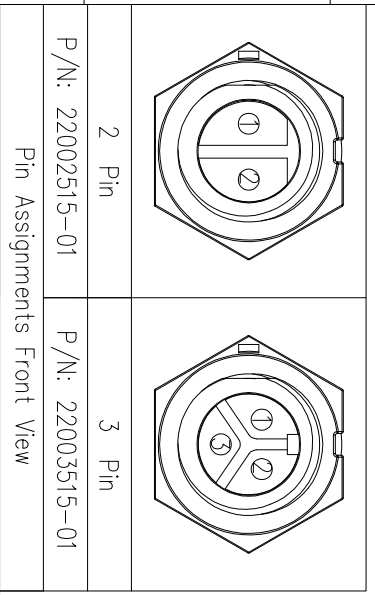


Panel T. Max 3.0



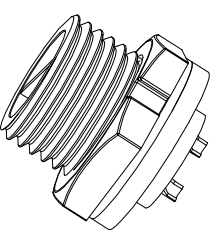
22XXXX515-01

Pin Number



Standard Series Screw
Front Mount With Male Pin

UNIT: mm	DESCRIPTION	SCALE	SIZE	SHEET	OF	1
TOLERANCE .X .XX .XXX ANGLES	Front Mount With Male Pin	1:1	A4	1	1	1
		REV	C1			* : Inspection Item



- Specification:
1. Operation Temperature: $-45^{\circ}\text{C} \sim 105^{\circ}\text{C}$.
 2. Insulation Resistance: $100\text{M}\Omega$ at DC500V.
 3. Contact Resistance: $<10\text{m}\Omega$.
 4. Withstand Voltage: 2000V AC
 5. Operating Current: 10A
 6. Operating Voltage: AC 300V
 7. Waterproof Rate: IP67 (Mated)
 8. Housing: Nylon, Black
 9. Male Pin: Copper Alloy, Gold Plated
 10. Gasket: Silicon Gray
 11. Panel Nut: Nylon, Black
 12. Torque Rate: $0.8 \sim 1.0\text{N} \cdot \text{m}$
 13. RoHS Compliant.
 14. UL Compliant.
 15. Mating Cap P/N: 806-00030-00

CHOGORI

PART NO	22XXXX515-01	DRAWN BY	Liu	DATE	2019/08/13
DWG NO		CHECKED BY	Mo	DATE	2019/08/13
CUSTOMER		APPROVED BY	Ponson	DATE	2019/08/13