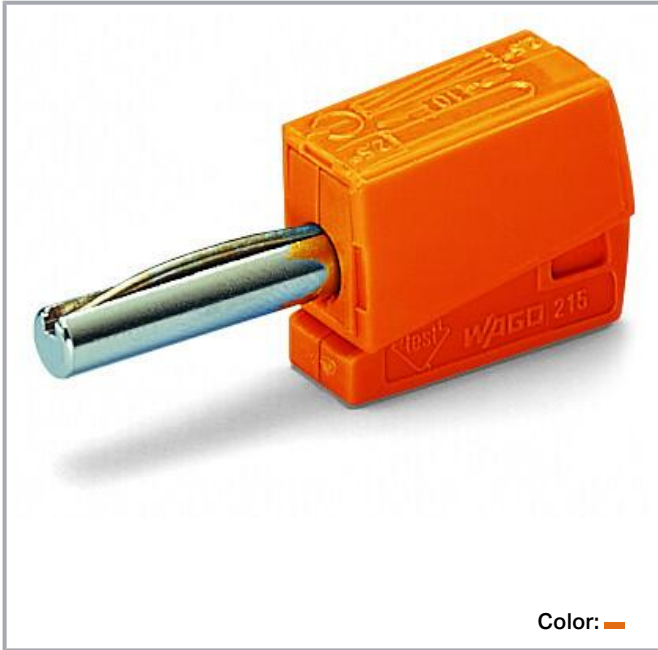


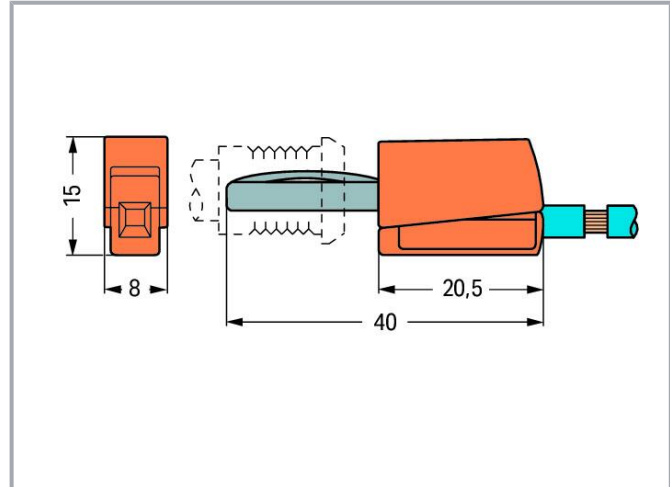
Data sheet | Item number: 215-211

Banana plug; for socket 4 mm Ø; 2,50 mm²; orange

www.wago.com/215-211



Color: ■



Data

Technical data

Main product function	Testing accessories
Total number of potentials	1

Electrical data

Rated current	20 A
Test voltage	42 V

Connection data

Connection technology	CAGE CLAMP®
Strip length	9 ... 11 mm / 0.35 ... 0.43 inches
Connection points	1
Solid conductor	0.08 ... 2.5 mm ² / 28 ... 14 AWG
Fine-stranded conductor	0.08 ... 2.5 mm ² / 28 ... 14 AWG

Subject to changes. Please also observe the further product documentation!

WAGO GmbH & Co. KG
Hansastr. 27
32423 Minden
Phone: +49571 887-0 | Fax: +49571 887-169
Email: info.de@wago.com | Web: www.wago.com

Do you have any questions about our products?
We are always happy to take your call at +49 (571) 887-44222.



Physical data

Width	8 mm / 0.315 inches
Height	15 mm / 0.591 inches
Depth	40 mm / 1.575 inches

Material Data

Color	orange
Fire load	0.04 MJ
Weight	3.9 g

Commercial data

Product Group	2 (Terminal Block Accessories)
eCl@ss 10.0	27-44-03-13
eCl@ss 9.0	27-44-03-13
ETIM 8.0	EC002255
ETIM 7.0	EC002255
PU (SPU)	50 pcs
Packaging type	box
Country of origin	DE
GTIN	4045454293468
Customs tariff number	85366990990

Environmental Product Compliance

CAS-No.	7439-92-1
REACH Candidate List Substance	Lead
RoHS Compliance Status	Compliant,With Exemption
RoHS Exemption	6(c)
SCIP notification number (Austria)	6fec46bb-ff0f-431c-bc8f-0b47a6bdcb80
SCIP notification number (Belgium)	0b896409-20ed-4526-941b-d088df380fda
SCIP notification number (Bulgaria)	844d5516-4ba3-4ab3-93f9-e81ee8c8118d
SCIP notification number (Czech Republic)	7be4b47a-b4d7-4b70-ba22-029e0f597cd1
SCIP notification number (Denmark)	7661fe54-c376-450a-99ea-7834da1eaa4c
SCIP notification number (Finland)	edb4728e-51f8-4d0a-8b2d-91883f2afaed
SCIP notification number (France)	2f14b5fd-ea06-4442-b802-5e74002ca610
SCIP notification number (Germany)	573ff099-24ba-4b7c-a82b-11fdebc802a

Subject to changes. Please also observe the further product documentation!

WAGO GmbH & Co. KG
Hansastr. 27
32423 Minden
Phone: +49571 887-0 | Fax: +49571 887-169
Email: info.de@wago.com | Web: www.wago.com

Do you have any questions about our products?
We are always happy to take your call at +49 (571) 887-44222.



SCIP notification number (Hungary)	290e4b81-ea89-4cc0-819e-438115ef5ac6
SCIP notification number (Italy)	930ca824-0f38-436d-bc24-4b9e127cb922
SCIP notification number (Netherlands)	0a4a3572-4f9c-4b1d-990a-2d8ade3edcf3
SCIP notification number (Poland)	f7232267-4600-4b3f-9f55-72da3ec22d79
SCIP notification number (Romania)	b64a9208-a918-4c01-940d-975168936a07
SCIP notification number (Sweden)	13a83958-998c-4cc9-a587-a536cf48375b

Downloads

Documentation

Bid Text

215-211 X81 - Datei	2019 Feb 19	xml 3.1 kB	Download
215-211 doc - Datei	2017 Sep 19	doc 25.1 kB	Download

CAD/CAE-Data

CAE data

EPLAN Data Portal 215-211	URL	Download
WSCAD Universe 215-211	URL	Download

Environmental Product Compliance

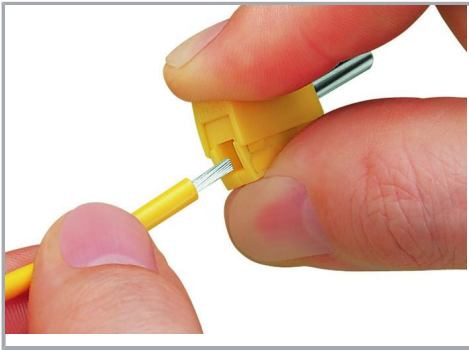
Compliance Search

Environmental Product Compliance 215-211 Banana plug; for socket 4 mm Ø; 2,50 mm ² ; orange	URL	Download
---	-----	----------

Installation Notes

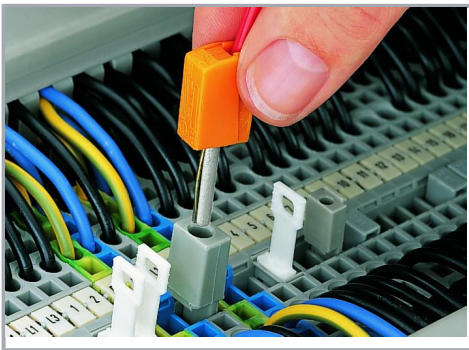
Conductor termination

Subject to changes. Please also observe the further product documentation!



Conductor termination: Press button fully, insert stripped conductor into square entry and release.

Testing



Testing via banana plug.

Picture shows a test plug adapter (209-170).

Subject to changes. Please also observe the further product documentation!