

## 3W, 11V - 200V Surface Mount Zener Diode

### FEATURES

- Photo Glass passivated chip junction
- Ideal for automated placement
- Low inductance
- Moisture sensitivity level: level 1, per J-STD-020
- RoHS Compliant
- Halogen-free according to IEC 61249-2-21

### APPLICATIONS

- Switching mode power supply (SMPS)
- Adapters
- Lighting application
- On-board DC/DC converter

### MECHANICAL DATA

- Case: DO-214AA (SMB)
- Molding compound meets UL 94V-0 flammability rating
- Terminal: Matte tin plated leads, solderable per J-STD-002
- Meet JESD 201 class 2 whisker test
- Polarity: Indicated by cathode band
- Weight: 0.100g (approximately)

KEY PARAMETERS		
PARAMETER	VALUE	UNIT
$V_Z$	11 - 200	V
Test current $I_{ZT}$	1.9 - 34.1	mA
$P_{tot}$	3	W
$T_{JMAX}$	175	°C
Package	DO-214AA (SMB)	
Configuration	Single die	



DO-214AA (SMB)



### ABSOLUTE MAXIMUM RATINGS ( $T_A = 25^\circ\text{C}$ unless otherwise noted)

PARAMETER	SYMBOL	VALUE	UNIT
DC power dissipation at $T_L=75^\circ\text{C}$ , measure at zero lead length (Note 1) derate above $75^\circ\text{C}$	$P_{tot}$	3	W
Junction temperature	$T_J$	-55 to +175	°C
Storage temperature	$T_{STG}$	-55 to +175	°C

#### Notes:

1. Mounted on Cu-Pad size 10mm x 10mm on PCB

### THERMAL PERFORMANCE

PARAMETER	SYMBOL	TYP	UNIT
Junction-to-lead thermal resistance	$R_{\theta JL}$	21	°C/W
Junction-to-ambient thermal resistance	$R_{\theta JA}$	59	°C/W
Junction-to-case thermal resistance	$R_{\theta JC}$	23	°C/W

**Thermal Performance Note:** Units mounted on PCB (10mm x 10mm Cu pad test board)

**ELECTRICAL SPECIFICATIONS** (TA = 25°C unless otherwise noted)

Device (Note 1)	Device Marking Code	Nominal Zener Voltage			Test current	Zener Impedance (Note 3)			Leakage Current		Maximum DC Zener Current
		V <sub>Z</sub> @I <sub>Z</sub>				I <sub>ZT</sub>	Z <sub>ZT</sub> @ I <sub>ZT</sub>	Z <sub>ZK</sub> @I <sub>ZK</sub>		I <sub>R</sub> @V <sub>R</sub>	
		V			mA	Ω	Ω	mA	μA	V	mA(DC)
		Min	Nom (Note 2)	Max							
1PGSMB5926	P926B	10.45	11	11.55	34.1	5.5	550	0.25	1	8.4	136
1PGSMB5927	P927B	11.40	12	12.60	31.2	6.5	550	0.25	1	9.1	125
1PGSMB5928	P928B	12.35	13	13.65	28.8	7.0	550	0.25	1	9.9	115
1PGSMB5929	P929B	14.25	15	15.75	25.0	9.0	600	0.25	1	11.4	100
1PGSMB5930	P930B	15.20	16	16.80	23.4	10.0	600	0.25	1	12.2	94
1PGSMB5931	P931B	17.10	18	18.90	20.8	12.0	650	0.25	1	13.7	83
1PGSMB5932	P932B	19.00	20	21.00	18.7	14.0	650	0.25	1	15.2	75
1PGSMB5933	P933B	20.90	22	23.10	17.0	17.5	650	0.25	1	16.7	68
1PGSMB5934	P934B	22.80	24	25.20	15.6	19	700	0.25	1	18.2	63
1PGSMB5935	P935B	25.65	27	28.35	13.9	23	700	0.25	1	20.6	56
1PGSMB5936	P936B	28.50	30	31.50	12.5	26	750	0.25	1	22.8	50
1PGSMB5937	P937B	31.35	33	34.65	11.4	33	800	0.25	1	25.1	45
1PGSMB5938	P938B	34.20	36	37.80	10.4	38	850	0.25	1	27.4	42
1PGSMB5939	P939B	37.05	39	40.95	9.6	45	900	0.25	1	29.7	38
1PGSMB5940	P940B	40.85	43	45.15	8.7	53	950	0.25	1	32.7	35
1PGSMB5941	P941B	44.65	47	49.35	8.0	67	1000	0.25	1	35.8	32
1PGSMB5942	P942B	48.45	51	53.55	7.3	70	1100	0.25	1	38.8	29
1PGSMB5943	P943B	53.20	56	58.80	6.7	86	1300	0.25	1	42.6	27
1PGSMB5944	P944B	58.90	62	65.10	6.0	100	1500	0.25	1	47.1	24
1PGSMB5945	P945B	64.60	68	71.40	5.5	120	1700	0.25	1	51.7	22
1PGSMB5946	P946B	71.25	75	78.75	5.0	140	2000	0.25	1	56.0	20
1PGSMB5947	P947B	77.90	82	86.10	4.6	160	2500	0.25	1	62.2	18
1PGSMB5948	P948B	86.45	91	95.55	4.1	200	3000	0.25	1	69.2	16
1PGSMB5949	P949B	95.00	100	105.00	3.7	250	3100	0.25	1	76.0	15
1PGSMB5950	P950B	104.50	110	115.50	3.4	300	4000	0.25	1	83.6	13
1PGSMB5951	P951B	114.00	120	126.00	3.1	360	4500	0.25	1	91.2	12
1PGSMB5952	P952B	123.50	130	136.50	2.9	450	5000	0.25	1	98.8	11
1PGSMB5953	P953B	142.50	150	157.50	2.5	600	6000	0.25	1	114.0	10
1PGSMB5954	P954B	152.00	160	168.00	2.3	700	6500	0.25	1	121.6	9
1PGSMB5955	P955B	171.00	180	189.00	2.1	900	7000	0.25	1	136.8	8
1PGSMB5956	P956B	190.00	200	210.00	1.9	1200	8000	0.25	1	152.0	7

**Notes:**

1. Tolerance and type number designation the type numbers listed indicate a tolerance of 5%
2. Zener voltage (V<sub>Z</sub>) measurement Nominal Zener voltage is measured with the device junction in thermal equilibrium with ambient temperature 25°C
3. Zener impedance (Z<sub>Z</sub>) derivation : Z<sub>ZT</sub> and Z<sub>ZK</sub> are measured by dividing the AC voltage drop across the device by the AC current applied.
4. The specified limits are for I<sub>Z</sub> (AC) = 0.1 I<sub>Z</sub> (DC) with the AC frequency = 60Hz

**ORDERING INFORMATION**

<b>ORDERING CODE<sup>(1)</sup></b>	<b>PACKAGE</b>	<b>PACKING</b>
1PGSMB59x	DO-214AA (SMB)	3,000 / Tape & Reel

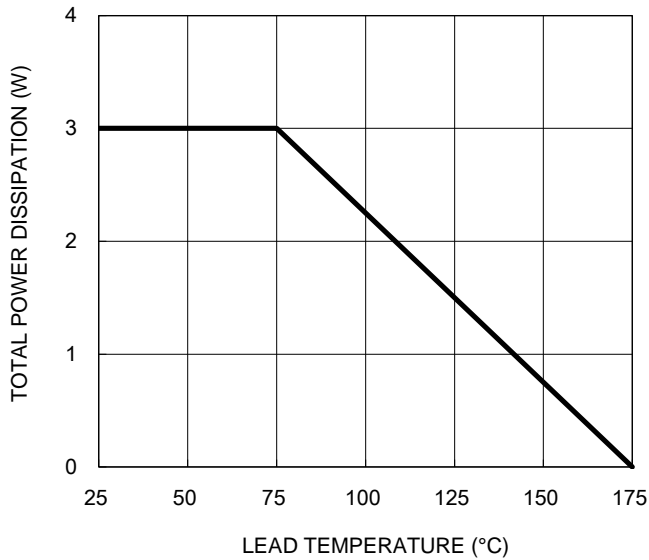
**Notes:**

1. "x" defines voltage from 11V(1PGSMB5926) to 200V(1PGSMB5956)

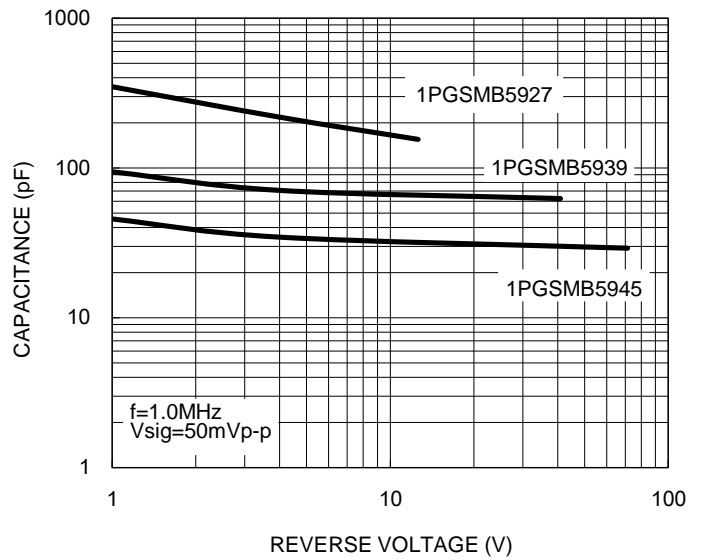
**CHARACTERISTICS CURVES**

( $T_A = 25^\circ\text{C}$  unless otherwise noted)

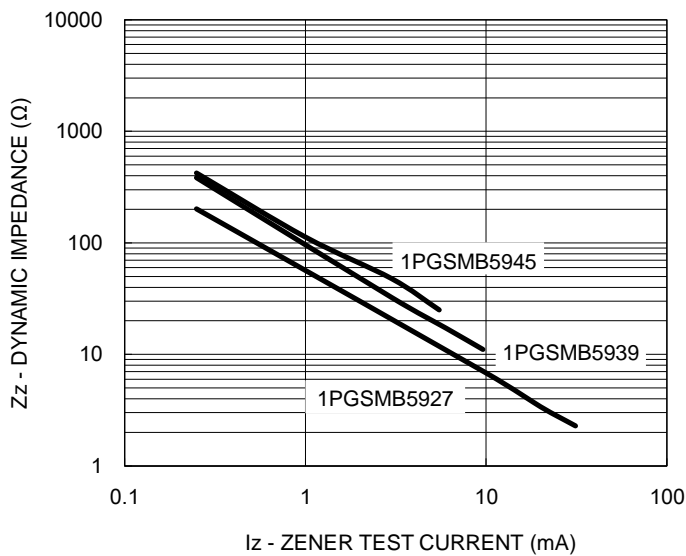
**Fig.1 Steady State Power Derating**



**Fig.2 Typical Junction Capacitance**

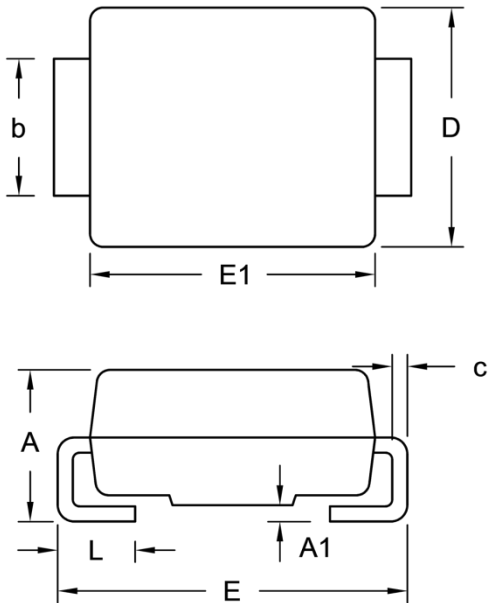


**Fig.3 Typical Zener Impedance**



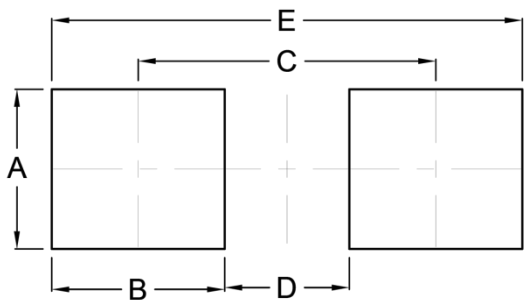
**PACKAGE OUTLINE DIMENSIONS**

DO-214AA (SMB)



DIM.	Unit (mm)		Unit (inch)	
	Min.	Max.	Min.	Max.
A	1.95	2.65	0.077	0.104
A1	0.05	0.20	0.002	0.008
b	1.95	2.20	0.077	0.087
c	0.15	0.31	0.006	0.012
D	3.30	3.95	0.130	0.156
E	5.10	5.60	0.201	0.220
E1	4.05	4.60	0.159	0.181
L	0.75	1.60	0.030	0.063

**SUGGESTED PAD LAYOUT**



Symbol	Unit (mm)	Unit (inch)
A	2.30	0.091
B	2.50	0.098
C	4.30	0.169
D	1.80	0.071
E	6.80	0.268

**MARKING DIAGRAM**



- P/N = Marking Code
- G = Green Compound
- YW = Date Code
- F = Factory Code

## **Notice**

Specifications of the products displayed herein are subject to change without notice. TSC or anyone on its behalf, assumes no responsibility or liability for any errors or inaccuracies.

Purchasers are solely responsible for the choice, selection, and use of TSC products and TSC assumes no liability for application assistance or the design of Purchasers' products.

Information contained herein is intended to provide a product description only. No license, express or implied, to any intellectual property rights is granted by this document. Except as provided in TSC's terms and conditions of sale for such products, TSC assumes no liability whatsoever, and disclaims any express or implied warranty, relating to sale and/or use of TSC products including liability or warranties relating to fitness for a particular purpose, merchantability, or infringement of any patent, copyright, or other intellectual property right.

The products shown herein are not designed for use in medical, life-saving, or life-sustaining applications. Customers using or selling these products for use in such applications do so at their own risk and agree to fully indemnify TSC for any damages resulting from such improper use or sale.