

4

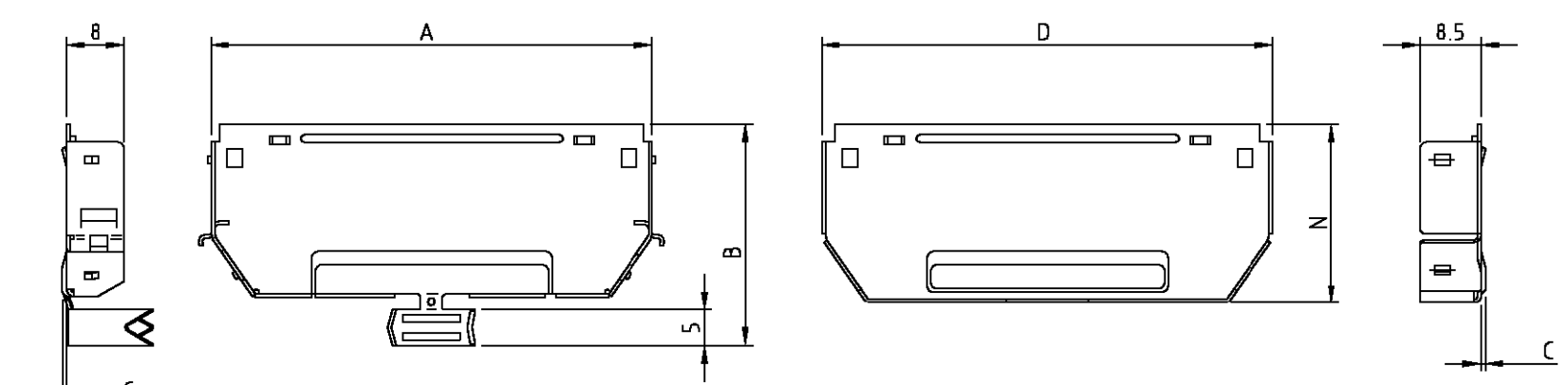
3

2

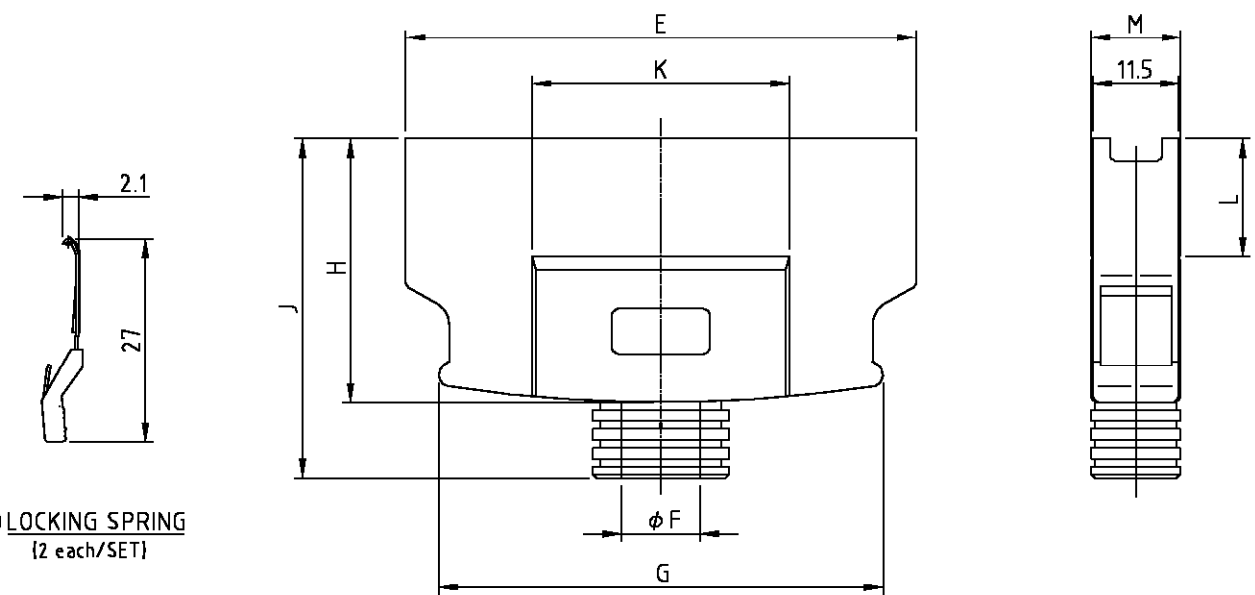
1

THIS DRAWING IS UNPUBLISHED. RELEASED FOR PUBLICATION .20  
 © COPYRIGHT 20 BY AMP INCORPORATED. ALL RIGHTS RESERVED.

LOC	DIST	REVISIONS					
		P	LTR	DESCRIPTION	DATE	DWN	APVD
J	-		D	REDRAWN W/CHANGE (FJ00-1587-00)	11OCT'00	T.K	H.M



① REAR SHELL (BOTTOM)      ② REAR SHELL (UPPER)



③ LOCKING SPRING (2 each/SET)      ④ ENCLOSURE

TOLERANCES UNLESS OTHERWISE SPECIFIED:  
 一般公差  
 TOLERANCES UNLESS OTHERWISE SPECIFIED:  
 10 ≥ ±0.2  
 30 ≥ >10 ±0.25  
 100 ≥ >30 ±0.3  
 ANGLES : ±3°

ITEM	材料 MATERIAL	仕上 FINISH
① ②	鋼 t=0.5 STEEL t=0.5	銅下地上にニッケルめっき NICKEL PL. OVER COPPER PL.
③	ステンレス鋼 熱可塑性樹脂 STAINLESS STEEL THERMOPLASTIC UL94V-0	
④	ガラス入り熱可塑性樹脂 G.F THERMOPLASTIC UL94V-0	色 : 別表参照 COLOR:SEE ANOTHER TABLE

RECOMMENDED CABLE DIA	COLOR	POSN	P/No.
8.5~10.2		80	7- 176793 -0
9.9~11.0		100	6- -9
8.1~9.6		68	6- -8
7.2~8.5		50	6- -7
6.4~7.9		36	6- -5
5.9~6.9		26	6- -4
5.4~6.5		20	6- -2
4.3~6.1	DARK GRAY	14	6- 176793 -1
8.5~10.2		80	5- 176793 -0
9.9~11.0		100	4- -9
8.1~9.6		68	4- -8
7.2~8.5		50	4- -7
6.4~7.9		36	4- -5
5.9~6.9		26	4- -4
5.4~6.5		20	4- -2
4.3~6.1	LIGHT GRAY	14	4- 176793 -1
6.4~7.9	MISTY WHITE	36	3- 176793 -5
8.5~10.2		80	3- 176793 -0
9.9~11.0		100	2- -9
8.1~9.6		68	2- -8
7.2~8.5		50	2- -7
6.4~7.9		36	2- -5
5.9~6.9		26	2- -4
5.4~6.5		20	2- -2
4.3~6.1	BLACK	14	2- 176793 -1
8.5~10.2		80	1- 176793 -0
9.9~11.0		100	-9
8.1~9.6		68	-8
7.2~8.5		50	-7
6.4~7.9		36	-5
5.9~6.9		26	-4
5.4~6.5		20	-2
4.3~6.1	BEIGE WHITE	14	176793 -1

1- -0; AS SHOWN

80	61.80	31	0.6	63.10	67.75	10.3	59.05	35	45	34	15.6	11.8	25
100	74.50	33	1.3	75.80	80.45	11.2	71.75	37	47	38	12.5	13.5	27
68	54.18	28	0.6	55.48	60.13	9.8	51.43	32	42	30	14.3	12.0	22
50	42.75	28	x	44.05	48.70	8.7	40.00	32	42	13	x	11.5	22
36	33.86	28	x	35.16	39.81	8.1	31.11	32	42	13	x	11.5	22
26	27.51	28	x	28.81	33.46	7.1	24.76	32	42	13	x	11.5	22
20	23.70	28	x	25.00	29.65	6.7	20.95	32	42	13	x	11.5	22
14	19.89	28	x	21.19	25.84	6.3	17.14	32	42	13	x	11.5	22
POSN	A	B	C	D	E	F	G	H	J	K	L	M	N

THIS DRAWING IS A CONTROLLED DOCUMENT.

DWN T.KAWAMAE 10/OCT/00  
 CHK H.MURAMATSU 11/OCT/00  
 APVD H.MURAMATSU 11/OCT/00

AMP Tyco Electronics AMP K.K. Kawasaki, Japan

NAME 名称 SHIELD CASE KIT (WITHOUT LOGO) CHAMP.050 SERIES(II) STD-TYPE

PRODUCT SPEC 製品規格 108-5288  
 APPLICATION SPEC 取付適用規格 114-5166

SIZE A3 CAGE CODE 00779 DRAWING NO 番号 C-176793 RESTRICTED TO -

WEIGHT CUSTOMER DRAWING SCALE 1:1 SHEET 1 OF 1 REV D

DIMENSIONS: 単位 MM TOLERANCES UNLESS OTHERWISE SPECIFIED: 一般公差  
 0 PLC ±-  
 1 PLC ±-  
 2 PLC ±-  
 3 PLC ±-  
 4 PLC ±-  
 ANGLES ±-

MATERIAL 材料 SEE TABLE FINISH 仕上 SEE TABLE