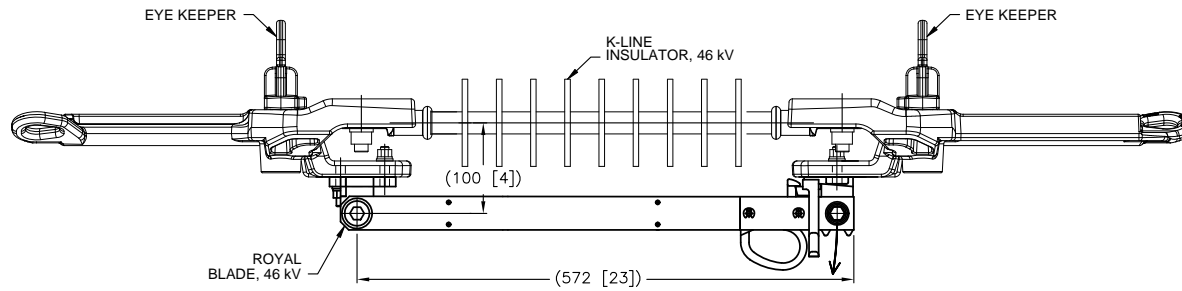
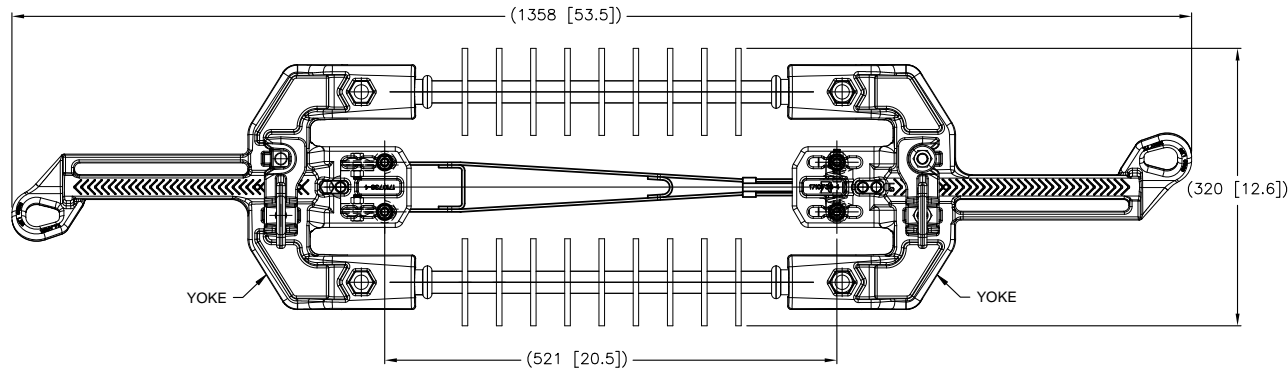


THIS DRAWING IS UNPUBLISHED. RELEASED FOR PUBLICATION.
 © COPYRIGHT - By - ALL RIGHTS RESERVED.

REVISIONS					
REV	DATE	DESCRIPTION	BY	CHK	APPV
C	21FEB2012	LC20-0014-12 / ECO-12-003549	DM	BJ	
D	14APR2016	LC20-0031-16 / ECO-16-005675	DM	BJ	
E	21JUL2016	LC20-0085-16 / ECO-16-011010	DM	BJ	
F	29JUN2019	LC20-0060-19 / ECO-19-010173	DM	BJ	



1. BODY STRENGTH: 10,000 lbs.
PULLING EYE STRENGTH: 6000 lbs.
2. BLADE DETAIL MAY NOT BE EXACTLY AS SHOWN.
3. 1710734-1 WILL BE REPLACED BY 1710734-5 IN THE FUTURE.

40,000 AMPERE RMS, ASYMMETRICAL	25,000 AMPERE RMS, SYMMETRICAL	900 AMPERE RMS	60 HERTZ	275 kV	46 kV AC
MOMENTARY CURRENT	THREE SECOND CURRENT	CONTINUOUS CURRENT ALLOWABLE RATING: (PER ANSI C37-32.3.2.1 2002)	FREQUENCY	BASIC IMPULSE INSULATION LEVEL (BIL)	VOLTAGE
SHORT TIME CURRENT					
RATINGS					

X-SMALL	1710734-5
X-SMALL	1710734-4
X-LARGE	1710734-3
LARGE	1710734-2
SMALL	1710734-1
YOKE SIZE IN ILD ASSEMBLY	PART NO.

THIS DRAWING IS A CONTROLLED DOCUMENT.		OWN D. MURUGIAH 12FEB2010																										
DIMENSIONS: mm [INCHES]		CHK S. KAMEL 29MAR2010																										
TOLERANCES UNLESS OTHERWISE SPECIFIED:		APPV B. JOHNSON 29MAR2010	NAME B. JOHNSON																									
<table border="1"> <tr><td>0</td><td>PLC</td><td>±</td><td>-</td></tr> <tr><td>1</td><td>PLC</td><td>±</td><td>-</td></tr> <tr><td>2</td><td>PLC</td><td>±</td><td>-</td></tr> <tr><td>3</td><td>PLC</td><td>±</td><td>-</td></tr> <tr><td>4</td><td>PLC</td><td>±</td><td>-</td></tr> <tr><td></td><td>ANGLES</td><td>±</td><td>-</td></tr> </table>		0	PLC	±	-	1	PLC	±	-	2	PLC	±	-	3	PLC	±	-	4	PLC	±	-		ANGLES	±	-	PRODUCT SPEC	NAME INLINE DISCONNECT SWITCH ASSEMBLY WITHOUT TAPS, AMPACT, 46 kV, 900 Amp	
0	PLC	±	-																									
1	PLC	±	-																									
2	PLC	±	-																									
3	PLC	±	-																									
4	PLC	±	-																									
	ANGLES	±	-																									
MATERIAL		APPLICATION SPEC	SIZE	CAGE CODE	DRAWING NO																							
FINISH		WEIGHT	A2	00779	1710734																							
		CUSTOMER DRAWING	SCALE	NTS	SHEET 1 of 1																							
					REV F																							