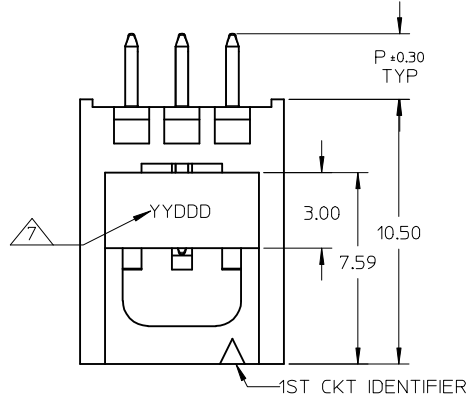
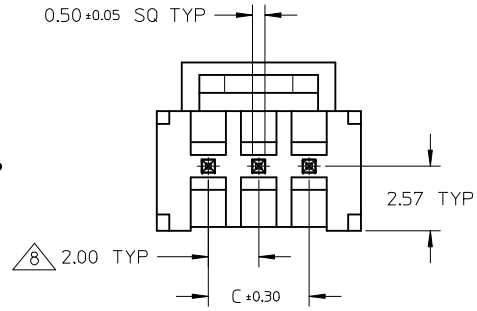
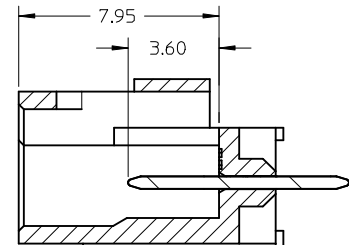
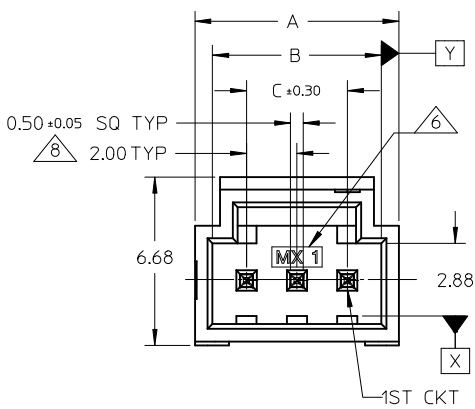
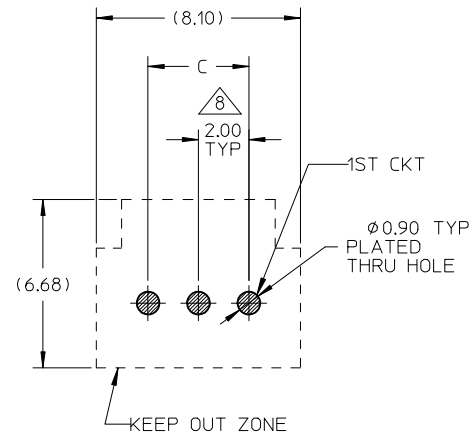


10 9 8 7 6 5 4 3 2 1

CKT SIZE	DIMENSION				
	A	B	C	D	E
2	6.10	4.70	2.00	7.60	6.40
3	8.10	6.70	4.00	9.60	8.40
4	10.10	8.70	6.00	11.60	10.40
5	12.10	10.70	8.00	13.60	12.40
6	14.10	12.70	10.00	15.60	14.40
7	16.10	14.70	12.00	17.60	16.40
8	18.10	16.70	14.00	19.60	18.40
9	20.10	18.70	16.00	21.60	20.40
10	22.10	20.70	18.00	23.60	22.40



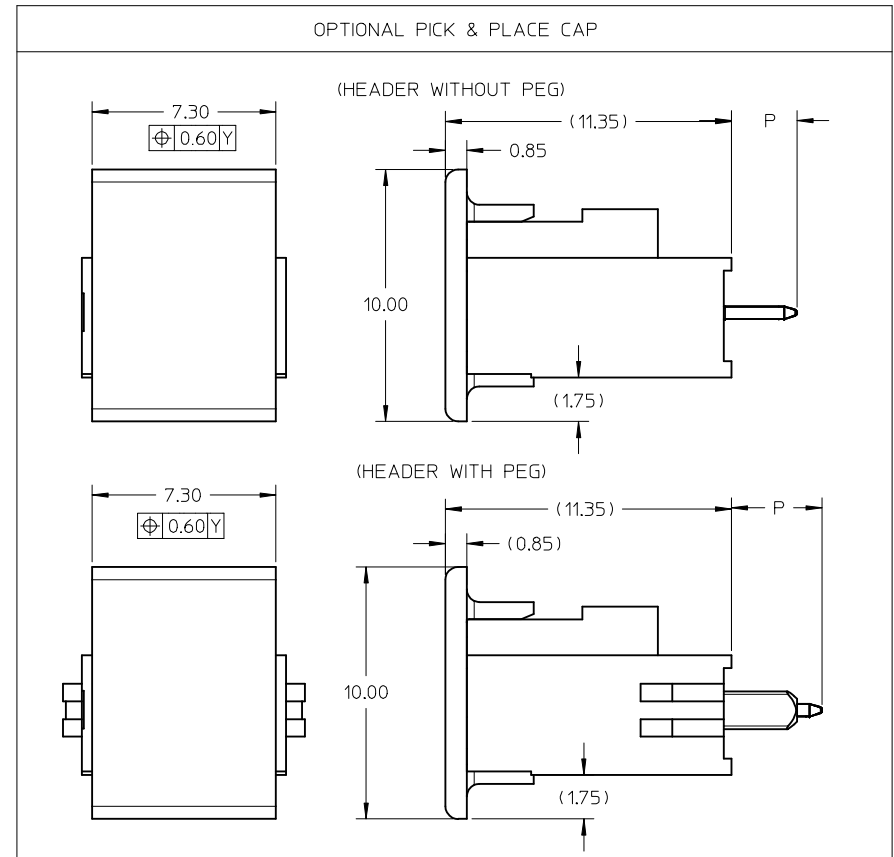
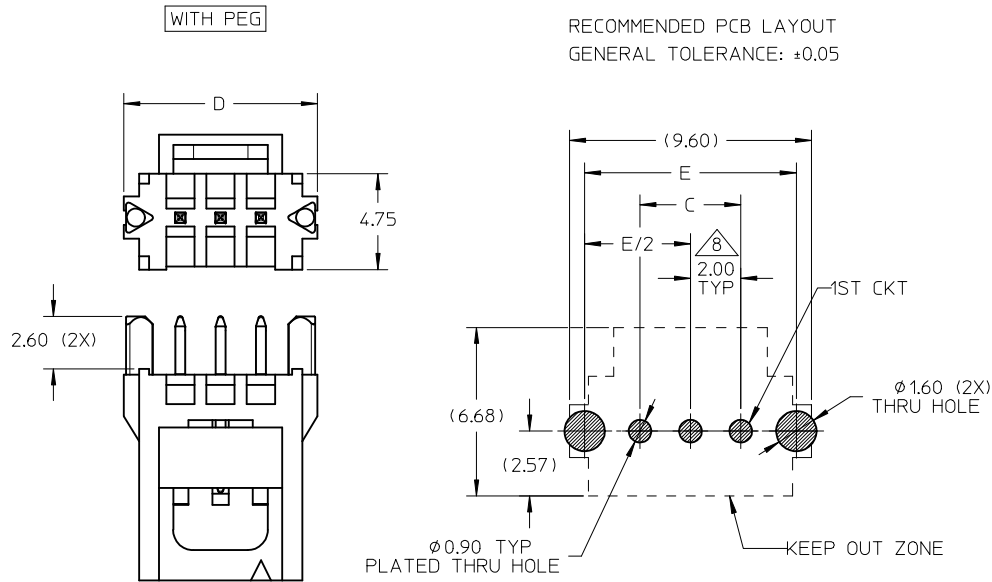
RECOMMENDED PCB LAYOUT
GENERAL TOLERANCE: ±0.05



- NOTES:
- MATERIAL:
HOUSING: LIQUID CRYSTALLINE POLYMERS (LCP), GLASS FILLED, UL94V-0, BLACK.
PIN: COPPER ALLOY, 0.50MM SQ
PICK & PLACE CAP: POLYAMIDE (PA), GLASS FILLED, UL94V-0, BLACK.
 - PLATING: SEE TABLE.
 - PRODUCT SPECIFICATION: PS-151062-0001.
 - PACKAGING SPECIFICATION: PK-151062-0001.
 - TO BE MATED WITH MOLEX RECEPTACLES SERIES: 151100.
 - MANUFACTURING ID & CAVITY ID SHALL BE LOCATED APPROXIMATELY AS SHOWN.
 - DATE CODE: YYDDD IS LOCATED APPROXIMATELY AS SHOWN.
 - PITCH TOLERANCE SHALL BE NON ACCUMULATED.

REV	DESCRIPTION	QUALITY SYMBOLS	GENERAL TOLERANCES (UNLESS SPECIFIED)		DIMENSION STYLE	SCALE	DESIGN UNITS	THIRD ANGLE PROJECTION	
			mm	INCH	MM ONLY	NTS	METRIC		
4	REV DESCRIPTION	$F_A=0$ $F_G=0$ $F_P=0$	4 PLACES	± ---	± ---	DRAWN BY	DATE	TITLE	
			3 PLACES	± ---	± ---	FCS00	2014/12/16	SALES DRAWING	
			2 PLACES	± 0.20	± ---	CHECKED BY	DATE	PCB HEADER, VERTICAL TH	
			1 PLACE	± ---	± ---	APPROVED BY	DATE	SINGLE ROW MILLIGRID	
			0 PLACE	± ---	± ---	KHL IM	2015/07/02	molex	
			ANGULAR ± 3 °		MATERIAL NO.	DOCUMENT NO.	SHEET NO.		
			DRAFT WHERE APPLICABLE MUST REMAIN WITHIN DIMENSIONS		SEE TABLE	SD-151063-0001	1 OF 3		
					SIZE	THIS DRAWING CONTAINS INFORMATION THAT IS PROPRIETARY TO MOLEX INCORPORATED AND SHOULD NOT BE USED WITHOUT WRITTEN PERMISSION			
					A3				

9 8 7 6 5 4 3 2 1



REVISE DATECODE EC NO: S2016-0127 DRWN:FCS00 2015/08/13 CHKD:CGOH 2015/09/18 APPR:KHL IM 2015/09/18	QUALITY SYMBOLS $\nabla_A = 0$ $\nabla_C = 0$ $\nabla_P = 0$	GENERAL TOLERANCES (UNLESS SPECIFIED)		DIMENSION STYLE MM ONLY		SCALE NTS	DESIGN UNITS METRIC	THIRD ANGLE PROJECTION		
			mm	INCH	DRAWN BY	DATE	TITLE			
			± ---	± ---	FCS00	2014/12/16	SALES DRAWING PCB HEADER, VERTICAL TH SINGLE ROW MILLIGRID molex			
			± 0.20	± ---	CHECKED BY	DATE				
						APPROVED BY KHL IM 2015/07/02		DOCUMENT NO. SD-151063-0001		
						MATERIAL NO. SEE TABLE		SHEET NO. 2 OF 3		
						THIS DRAWING CONTAINS INFORMATION THAT IS PROPRIETARY TO MOLEX INCORPORATED AND SHOULD NOT BE USED WITHOUT WRITTEN PERMISSION				

ASSEMBLY

151063 - X X X X

02 - 10	2-10 CKT W/O PEG
52 - 60	2-10 CKT WITH PEG
	52 = 2CKT
	53 = 3CKT
	.
	59 = 9CKT
	60 = 10CKT

PLATING		CAP VERSION
0	FULL TIN	WITHOUT CAP
1	Au FLASH	
2	0.38 Au	
3	0.75 Au	
4	FULL TIN	WITH CAP
5	Au FLASH	
6	0.38 Au	
7	0.75 Au	
8	OTHER OPTIONS	
9		

	P TAIL LENGTH	PACKAGING
0	2.60	TAPE & REEL
1	3.60	
2	4.60	
3	2.60	
4	3.60	TUBE
5	4.60	
6		OTHER OPTIONS
7		
8		
9		

PLATING OPTIONS	
-*0** & -*4**	2.50µm MIN. TIN ON CONTACT AND 2.00µm MIN. TIN (MATTE) ON SOLDER TAIL OVER 1.25µm MIN. NICKEL OVERALL.
-*1** & -*5**	0.05µm MIN. GOLD PLATE ON CONTACT AND 2.00µm MIN. TIN (MATTE) ON SOLDER TAIL OVER 1.25µm MIN. NICKEL OVERALL.
-*2** & -*6**	0.38µm MIN. GOLD PLATE ON CONTACT AND 2.00µm MIN. TIN (MATTE) ON SOLDER TAIL OVER 1.25µm MIN. NICKEL OVERALL.
-*3** & -*7**	0.75µm MIN. GOLD PLATE ON CONTACT AND 2.00µm MIN. TIN (MATTE) ON SOLDER TAIL OVER 1.25µm MIN. NICKEL OVERALL.

PACKAGING OPTION AND CAP	
TAPE & REEL	151000-4***
PACKAGING TUBE	151000-3015 (WITHOUT CAP) 151000-3018 (WITH CAP)
CAP	151088-0001
P TAIL LENGTH	RECOMMENDED PCB THICKNESS
2.60	1.50
3.60	2.50
4.60	3.50

REVISE DATECODE EC NO: S2016-0127 DRWN: FCS00 2015/08/13 CHKD: CGOH 2015/09/18 APPR: KHL IM 2015/09/18	QUALITY SYMBOLS $F_A=0$ $F_G=0$ $F_P=0$	GENERAL TOLERANCES (UNLESS SPECIFIED)		DIMENSION STYLE MM ONLY	SCALE NTS	DESIGN UNITS METRIC	THIRD ANGLE PROJECTION		
		4 PLACES ± --- ± --- 3 PLACES ± --- ± --- 2 PLACES ± 0.20 ± --- 1 PLACE ± --- ± --- 0 PLACE ± --- ± ---	mm INCH ± --- ± --- ± 0.20 ± --- ± --- ± --- ± --- ± ---	DRAWN BY FCS00	DATE 2014/12/16	TITLE SALES DRAWING PCB HEADER, VERTICAL TH SINGLE ROW MILLIGRID			
		DRAFT WHERE APPLICABLE MUST REMAIN WITHIN DIMENSIONS		APPROVED BY KHL IM	DATE 2015/07/02	DOCUMENT NO. SD-151063-0001			
				MATERIAL NO. SEE TABLE	SHEET NO. 3 OF 3	THIS DRAWING CONTAINS INFORMATION THAT IS PROPRIETARY TO MOLEX INCORPORATED AND SHOULD NOT BE USED WITHOUT WRITTEN PERMISSION			