

# RJ45 connector - CUC-V06-C1PGY-S/R4CE8:1 - 1414383


Please be informed that the data shown in this PDF Document is generated from our Online Catalog. Please find the complete data in the user's documentation. Our General Terms of Use for Downloads are valid (<http://phoenixcontact.com/download>)



RJ45 connector, degree of protection: IP67, number of positions: 8, 1 Gbps, CAT6, material: PA, connection method: Crimp connection, connection cross section: AWG 27- 24, cable outlet: straight, color: gray



## Key Commercial Data

Packing unit	1 pc
GTIN	 4 055626 025346
GTIN	4055626025346

## Technical data

### Mechanical characteristics

Number of positions	8
Connection profile	RJ45
Insertion/withdrawal cycles	≥ 750
Connection method	Crimp connection
Type of contact	Crimp contacts
Conductor cross section	0.1 mm <sup>2</sup> ... 0.2 mm <sup>2</sup> (flexible)
Connection cross section AWG	27 ... 24 (flexible)
External cable diameter	5 mm ... 8.5 mm
Cable outlet	straight
Color	gray
Degree of protection	IP67
Type	RJ45, IP67, version 6
No. of cable outlets	1

### Ambient conditions

Ambient temperature (operation)	-25 °C ... 60 °C
---------------------------------	------------------

### Material data

Flammability rating according to UL 94	V0
--	----

# RJ45 connector - CUC-V06-C1PGY-S/R4CE8:1 - 1414383

## Technical data

### Material data

Housing material	PA
Contact carrier material	PC
Contact material	Phosphor bronze
Contact surface material	Gold
O-ring material	FPM
Cable seal material	NBR

### Electrical characteristics

Number of positions	8
Nominal voltage $U_N$	72 V (DC)
Nominal current $I_N$	1.75 A
Transmission characteristics (category)	CAT6
GRP transmission properties	CAT6 CAT6
Transmission speed	1 Gbps (250 MHz)
Frequency range	to 250 MHz
Rated current	1 A
Overvoltage category	I
Degree of pollution	2
Rated voltage (III/3)	72 V (DC)

### Standards and Regulations

Flammability rating according to UL 94	V0
--	----

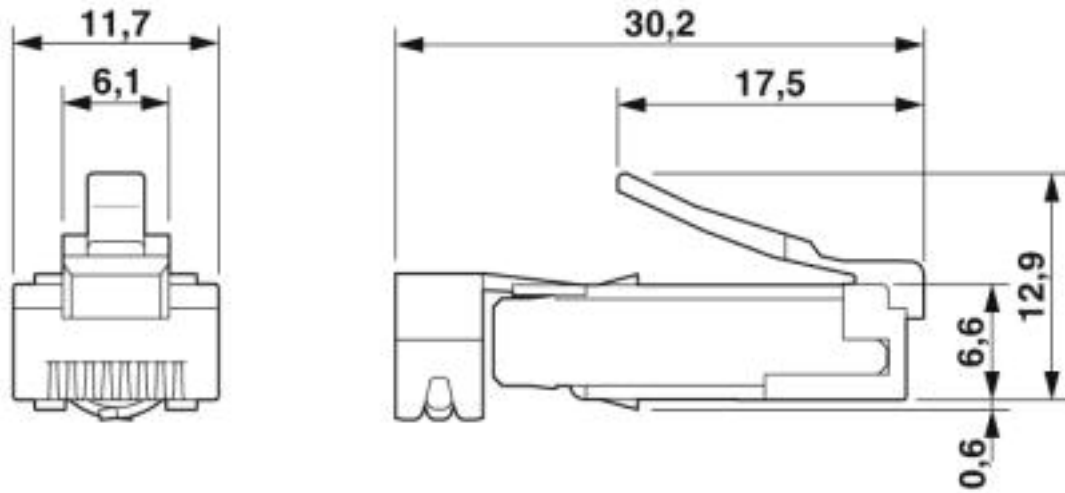
### Environmental Product Compliance

China RoHS	Environmentally friendly use period: unlimited = EFUP-e
	No hazardous substances above threshold values

## Drawings

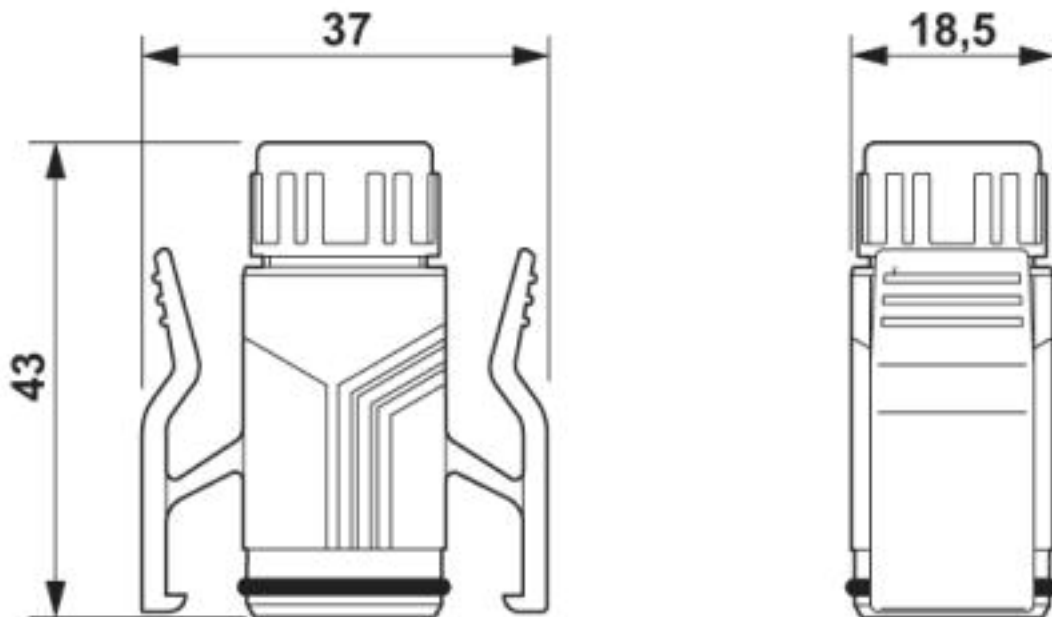
## RJ45 connector - CUC-V06-C1PGY-S/R4CE8:1 - 1414383

Dimensional drawing



RJ45 male insert

Dimensional drawing



RJ45 sleeve housing IP67

Approvals

Approvals

Approvals

EAC

## RJ45 connector - CUC-V06-C1PGY-S/R4CE8:1 - 1414383


### Approvals

---

Ex Approvals

---

### Approval details

EAC		B.01742
-----	---	---------

---

Phoenix Contact 2019 © - all rights reserved  
<http://www.phoenixcontact.com>

PHOENIX CONTACT GmbH & Co. KG  
Flachmarktstr. 8  
32825 Blomberg  
Germany  
Tel. +49 5235 300  
Fax +49 5235 3 41200  
<http://www.phoenixcontact.com>