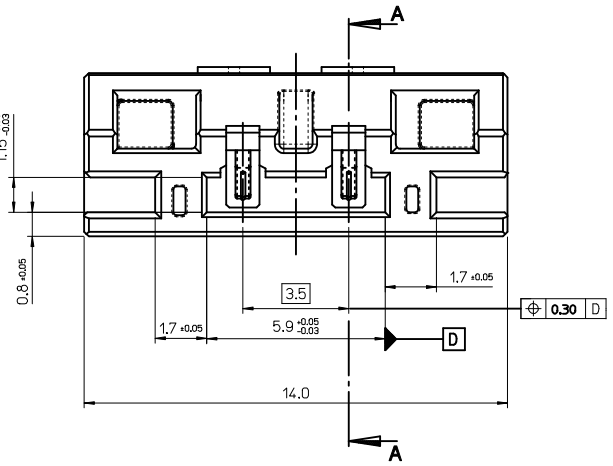
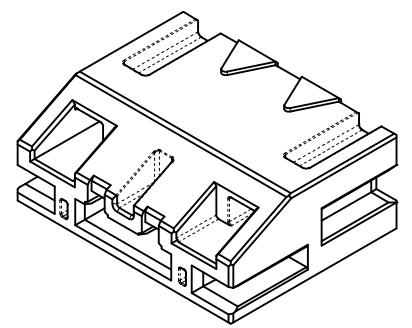
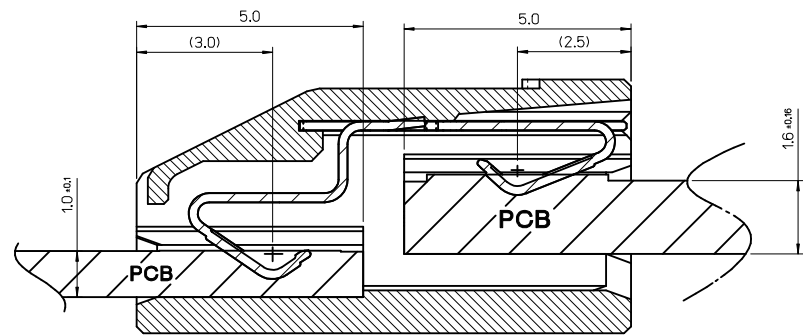
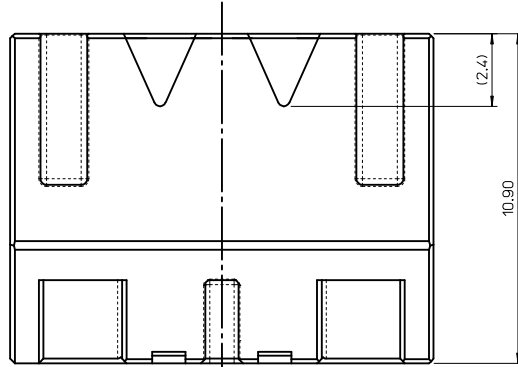
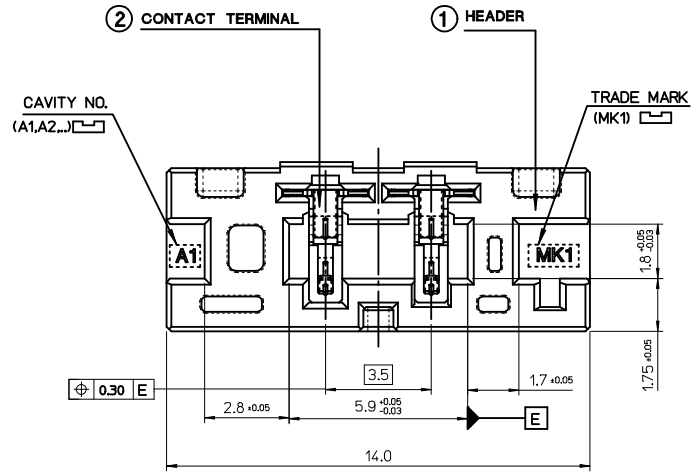
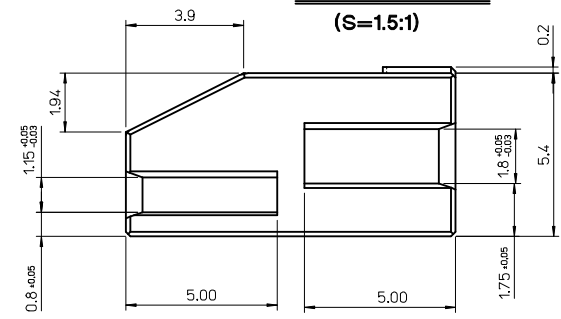


10 9 8 7 6 5 4 3 2 1



**[SECTION A-A]**  
(S=1.5:1)

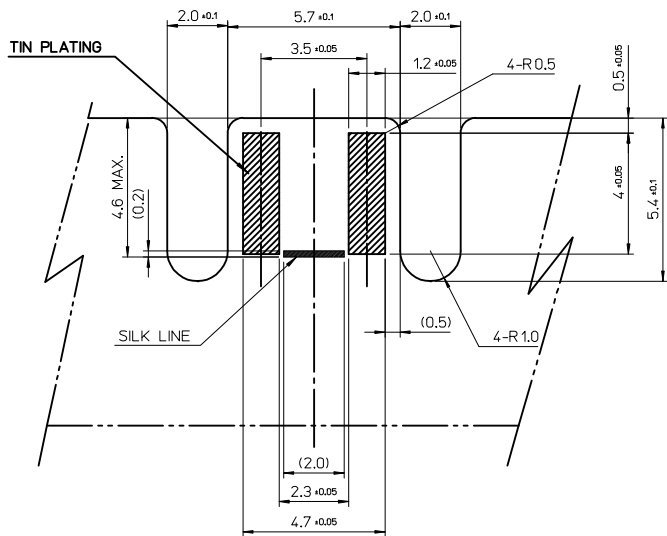


**NOTE**  
**1. MATERIALS**  
 ① - HEADER : LIQUID CRYSTAL POLYMER(LCP), UL94V-0, GLASS FILLED, HALOGEN FREE, COLOR OF NATURAL  
 ② - CONTACT TERMINAL : PHOSPHOR BRONZE  
**2. FINISHES**  
 - CONTACT TERMINAL :  
 PURE-TIN PLATING ON OVERALL.  
 THICKNESS 2.0μm~4.0μm  
 UNDER PLATING Ni OVERALL.  
 THICKNESS 1.25μm~3.75μm

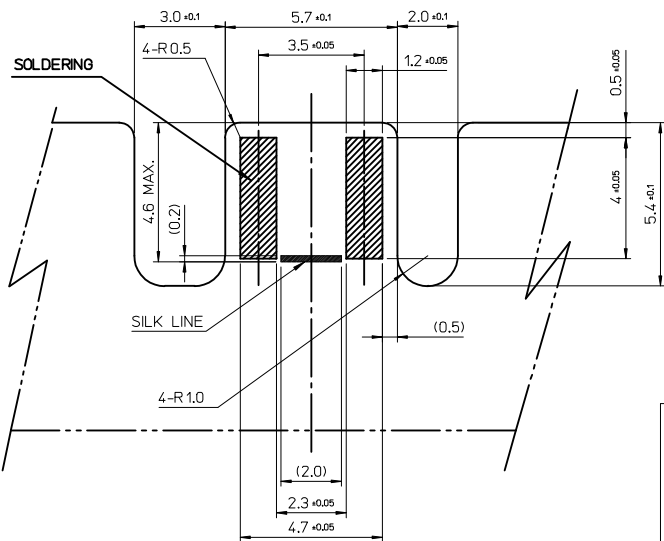
RELEASED EC NO: KOR2014-0120 DRWN: SCHONG03 CHKD: SHCHU APPR: YSKI M02	2014/04/22 2014/04/22 2014/04/22	DESCRIPTION REV	QUALITY SYMBOLS	GENERAL TOLERANCES (UNLESS SPECIFIED)	DIMENSION STYLE	SCALE	DESIGN UNITS	THIRD ANGLE PROJECTION
			▽=0 ∇=0	mm      INCH 4 PLACES ± --- ± --- 3 PLACES ± --- ± --- 2 PLACES ± 0.15 ± --- 1 PLACE ± 0.20 ± --- 0 PLACE ± --- ± ---	MM ONLY	5/1	METRIC	☉    □ THIRD ANGLE PROJECTION
			ANGULAR ± 1 ° DRAFT WHERE APPLICABLE MUST REMAIN WITHIN DIMENSIONS	DRAWN BY: SCHONG03 CHECKED BY: SHCHU APPROVED BY: YSKI M02 DATE: 2014/04/22	TITLE 3.5MM LED DIRECT TYPE CONN. -2P (A-TYPE) HEADER ASS'Y			
			MATERIAL NO. 1041660210	DOCUMENT NO. SD-104166-001	SHEET NO. 1 OF 2			

ORDER NO.	104166-0210
SIZE	A3
THIS DRAWING CONTAINS INFORMATION THAT IS PROPRIETARY TO MOLEX INCORPORATED AND SHOULD NOT BE USED WITHOUT WRITTEN PERMISSION	

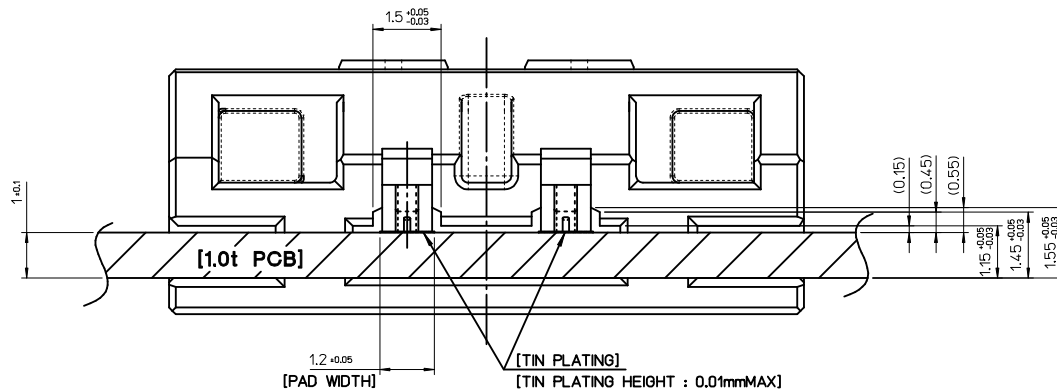
9 8 7 6 5 4 3 2 1



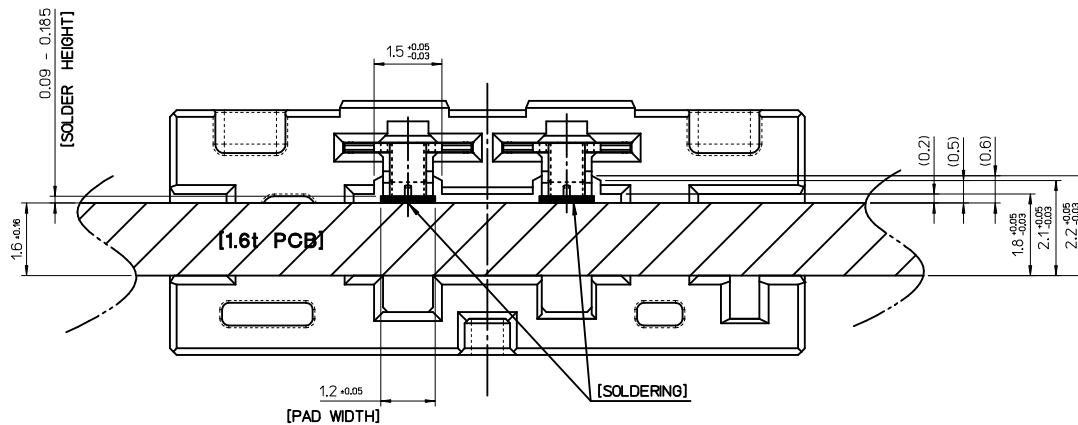
[1.0t PCB PATTERN]



[1.6t PCB PATTERN]



MATED CONDITION [FRONT VIEW]



MATED CONDITION [BACK VIEW]

RELEASED  
EC NO: KOR2014-0120  
DRWN: SCHONG03 2014/04/22  
CHKD: SHCHU 2014/04/22  
APPR: YSK1M02 2014/04/22

REV	DESCRIPTION
A	

QUALITY SYMBOLS	
	=0
	=0.05

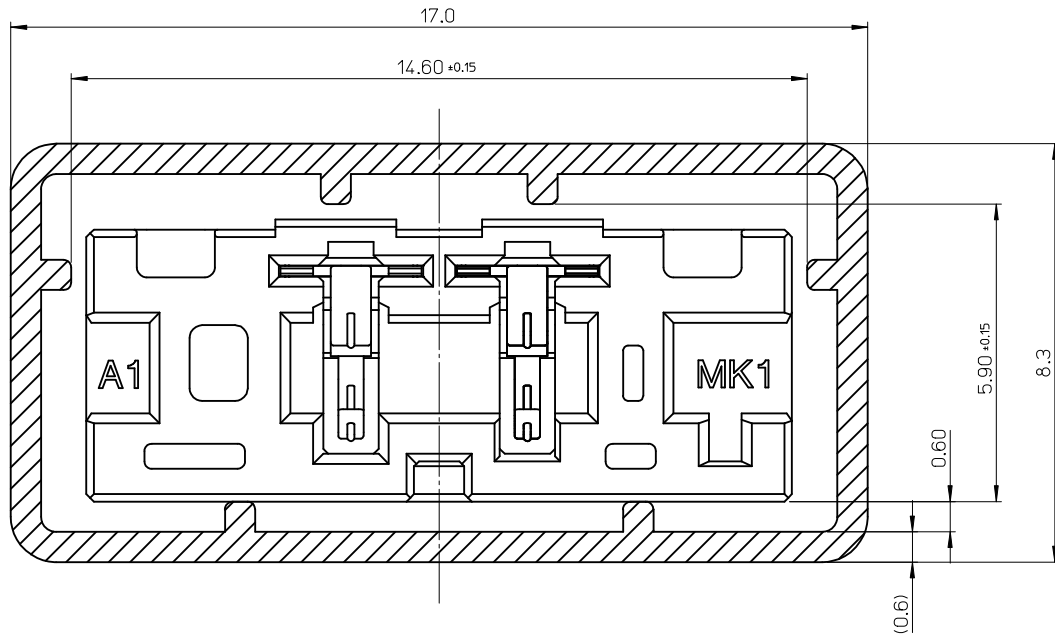
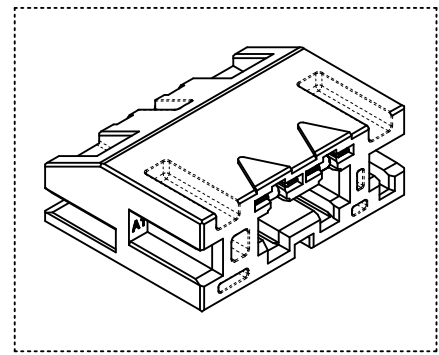
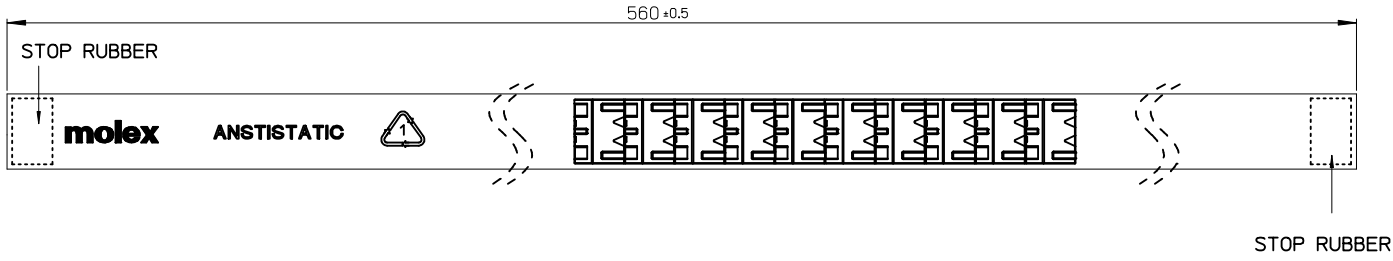
GENERAL TOLERANCES (UNLESS SPECIFIED)		
	mm	INCH
4 PLACES	± ---	± ---
3 PLACES	± ---	± ---
2 PLACES	± 0.15	± ---
1 PLACE	± 0.20	± ---
0 PLACE	± ---	± ---

ANGULAR ± 1 °

DRAFT WHERE APPLICABLE MUST REMAIN WITHIN DIMENSIONS

DIMENSION STYLE	
MM ONLY	
DRAWN BY	DATE
SCHONG03	2014/04/22
CHECKED BY	DATE
SHCHU	2014/04/22
APPROVED BY	DATE
YSK1M02	2014/04/22
MATERIAL NO.	
1041660210	
SIZE	
A3	

ORDER NO.	104166-0210
DESIGN UNITS	METRIC
THIRD ANGLE PROJECTION	
TITLE	
3.5MM LED DIRECT TYPE CONN. -2P (A-TYPE) HEADER ASS'Y	
<b>molex</b>	
MATERIAL NO.	DOCUMENT NO.
1041660210	SD-104166-001
SHEET NO.	2 OF 2



- NOTES.
- ① 1. PACKING QUANTITY : 48 PCS / TUBE
  2. TOTAL TUBE LENGTH : 560mm±1mm
  3. BURRS : 0.20mm MAX

ORDER NO.	104166-0210
SCALE	10/1
DESIGN UNITS	METRIC
THIRD ANGLE PROJECTION	
TITLE <b>3.5MM LED DIRECT TYPE                  CONN. -2P (A-TYPE)                  TUBE PACKING</b>	
MATERIAL NO.	SEE TABLE
DOCUMENT NO.	SD-104166-002
SHEET NO.	1 OF 1

RELEASED EC NO: KOR2014-0120 DRWN: SCHONG03 CHKD: SHCHU APPR: YSK1M02	2014/04/22 2014/04/22 2014/04/22	DESCRIPTION REV	QUALITY SYMBOLS	GENERAL TOLERANCES (UNLESS SPECIFIED)	DIMENSION STYLE	SCALE	DESIGN UNITS	THIRD ANGLE PROJECTION
			= 0 = 0	mm      INCH 4 PLACES ± --- ± --- 3 PLACES ± --- ± --- 2 PLACES ± 0.15 ± --- 1 PLACE ± 0.20 ± --- 0 PLACE ± --- ± ---	MM ONLY	10/1	METRIC	DRAWN BY: SCHONG03      DATE: 2014/04/22 CHECKED BY: SHCHU      DATE: 2014/04/22 APPROVED BY: YSK1M02      DATE: 2014/04/22
				ANGULAR ± 1 °				
				DRAFT WHERE APPLICABLE MUST REMAIN WITHIN DIMENSIONS				