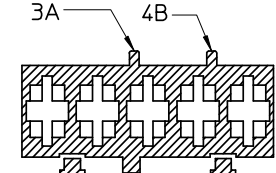
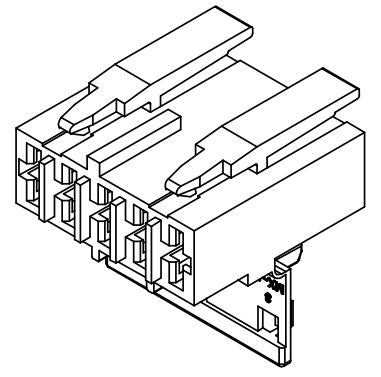


Dettaglio1
SCALA 5:1

CONFIGURAZIONE POLARIZZAZIONI
POLARIZATION CONFIGURATION



AGGANCI
LATCHES
SEZ: C-C

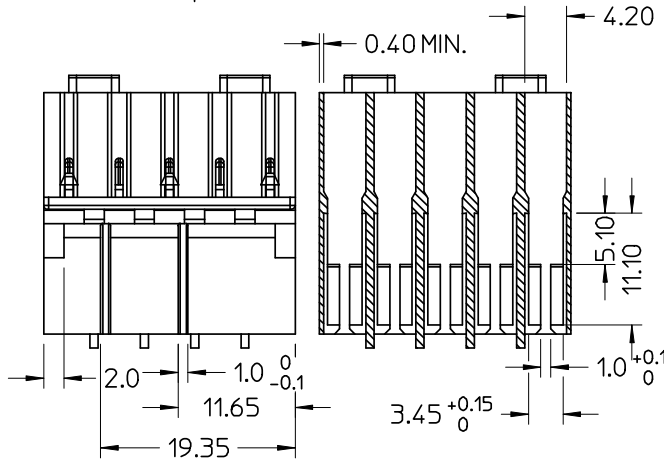


- NOTE:
- USATO CON TERMINALE 94518-0XXX E 94549-0XXX
 - SPECIFICA DI RIFERIMENTO PER IL CONNETTORE PS-94550-001
 - PER CARATTERISTICHE DI CRIMPATURA RIF. SD-94518-005 E SD-94549-001
 - FORZA DI DISACCOPIAMENTO CONNETTORE (TRAZIONANDO DAI CAVI SENZA AZIONARE L'AGGANCI): 60 N MIN.
 - SPESSORE MIN. PARETI CONNETTORE 0.40 mm.

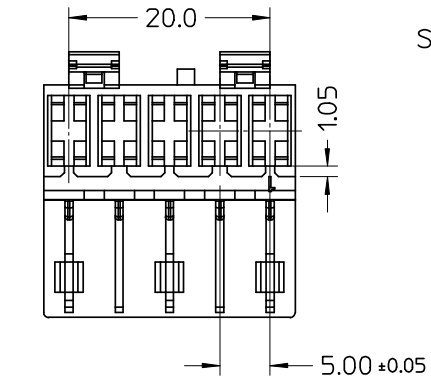
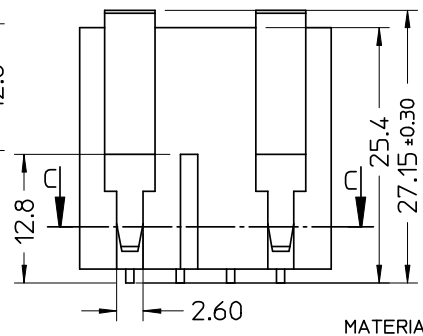
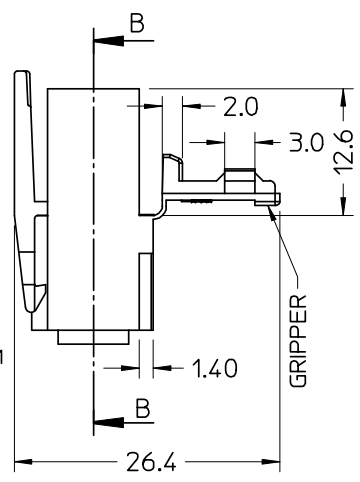
- NOTE:
- USED WITH TERMINALS 94518-0XXX AND 94549-0XXX
 - REFER TO PS-94550-001 FOR CONNECTOR SPECIFICATION
 - REFER TO SD-94518-005 AND SD-94549-001 FOR CRIMPING CHARACTERISTICS
 - CONNECTOR DISENGAGEMENT FORCE (PULLING BY THE WIRES, WITHOUT ACTUATING THE LATCH): 60 N MIN.
 - MINIMUM CONNECTOR WALL THICKNESS 0.40 mm.

MATERIALE: NYLON 6.6 GWT 750°C SEC. IEC 60335-1
TEST METHOD IEC 60695-2-11 COLORE NATURALE
MATERIAL: NYLON 6.6 GWT 750°C SEC. IEC 60335-1
TEST METHOD IEC 60695-2-11 NATURAL

CONFEZIONE: Box da 1300 Pz.
PACKAGING: 1300 pcs in carton box



SEZ: B-B



SPQ =1300

Std. Descr: "HSG W/SEC LOCK AND EXT LATCHES 5 CKT _____ COLOR"

EC NO: Z2006-0211 DRWN: FGOTTARD 2006/06/05 CHKD: RSANDANO 2006/06/05 APPR: GZUIN 2006/06/07	QUALITY SYMBOLS ▽ = 0 ▽ = 0	GENERAL TOLERANCES (UNLESS SPECIFIED)		SCALE: 2:1	DESIGN UNITS: METRIC	FIRST ANGLE PROJECTION	REVISE ON CAD ONLY	
		4 PLACES ± --- ± ---	3 PLACES ± --- ± ---	DIMENSION STYLE: MM ONLY		TITLE: HSG 5 CKT WITH SEC. LOCK AND EXTERNAL LATCH		
		2 PLACES ± 0.10 ± ---	1 PLACE ± 0.2 ± ---	DRAWN BY: FGOTTARD DATE: 2006/05/26		MOLEX INCORPORATED		
		ANGULAR ± 2 °		CHECKED BY: RSANDANO DATE: 2006/05/26		MATERIAL NO.: 94550-4305 DOCUMENT NO.: SD-94550-033 SHEET NO.: 1 OF 1		
DRAFT WHERE APPLICABLE		APPROVED BY: GZUIN DATE: 2006/05/26		THIS DRAWING CONTAINS INFORMATION THAT IS PROPRIETARY TO MOLEX INCORPORATED AND SHOULD NOT BE USED WITHOUT WRITTEN PERMISSION				
MUST REMAIN WITHIN DIMENSIONS		A3						