

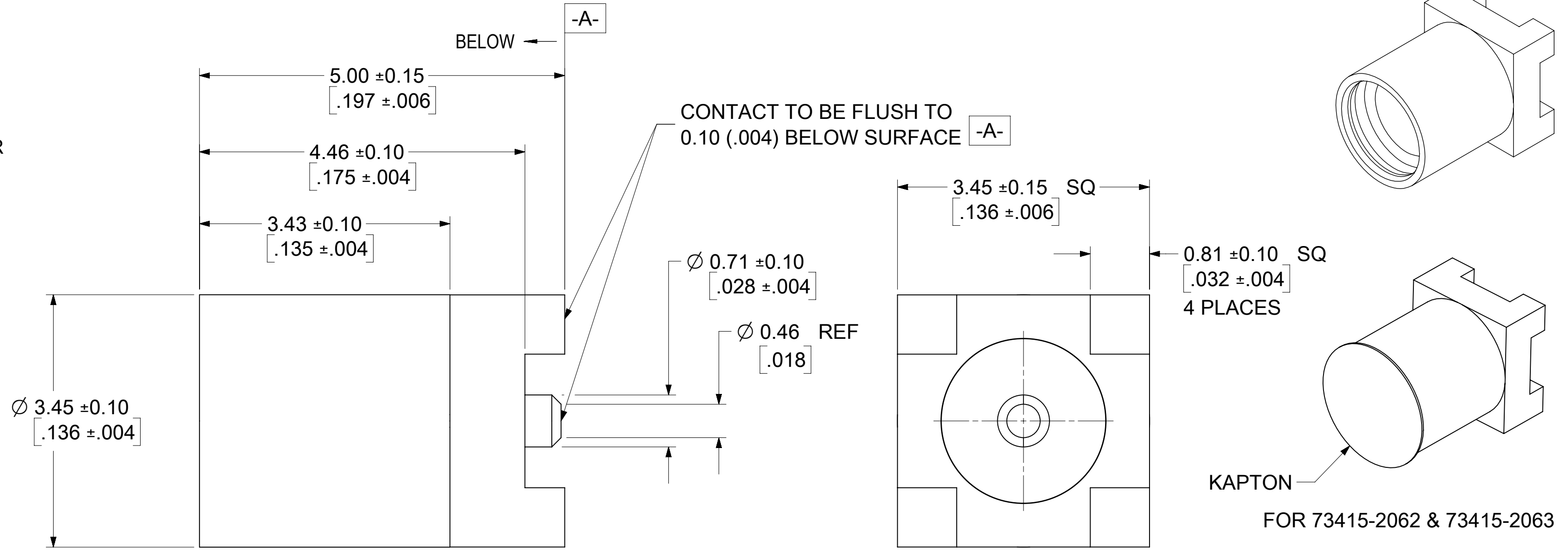
MATERIALS AND FINISHES

BODY BRASS
PLATED GOLD

CENTER CONTACT BERYLLIUM COPPER
PLATED GOLD

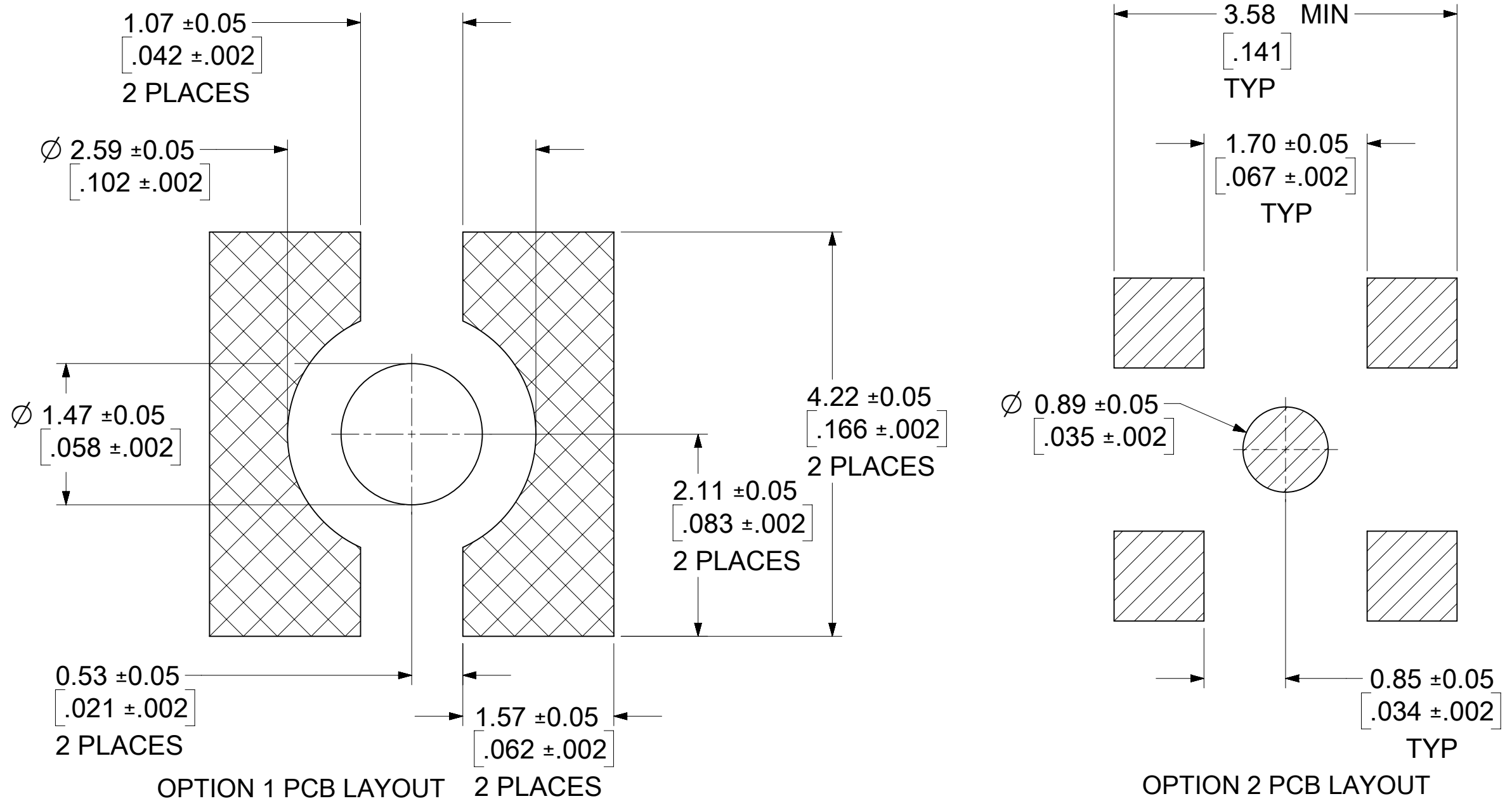
INSULATOR TEFLON

KAPTON
COLOR AMBER

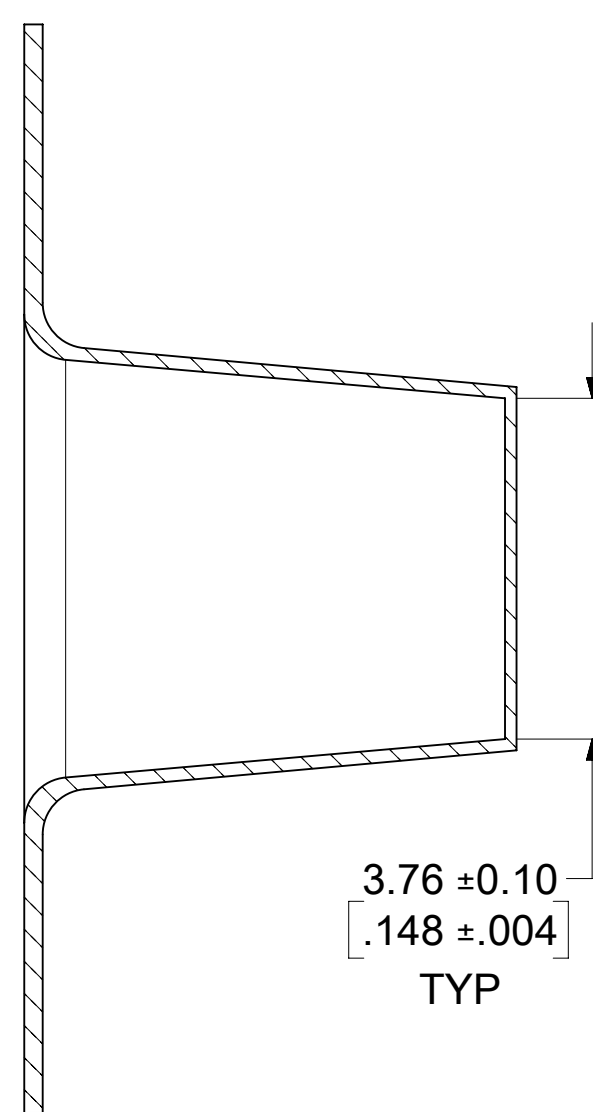
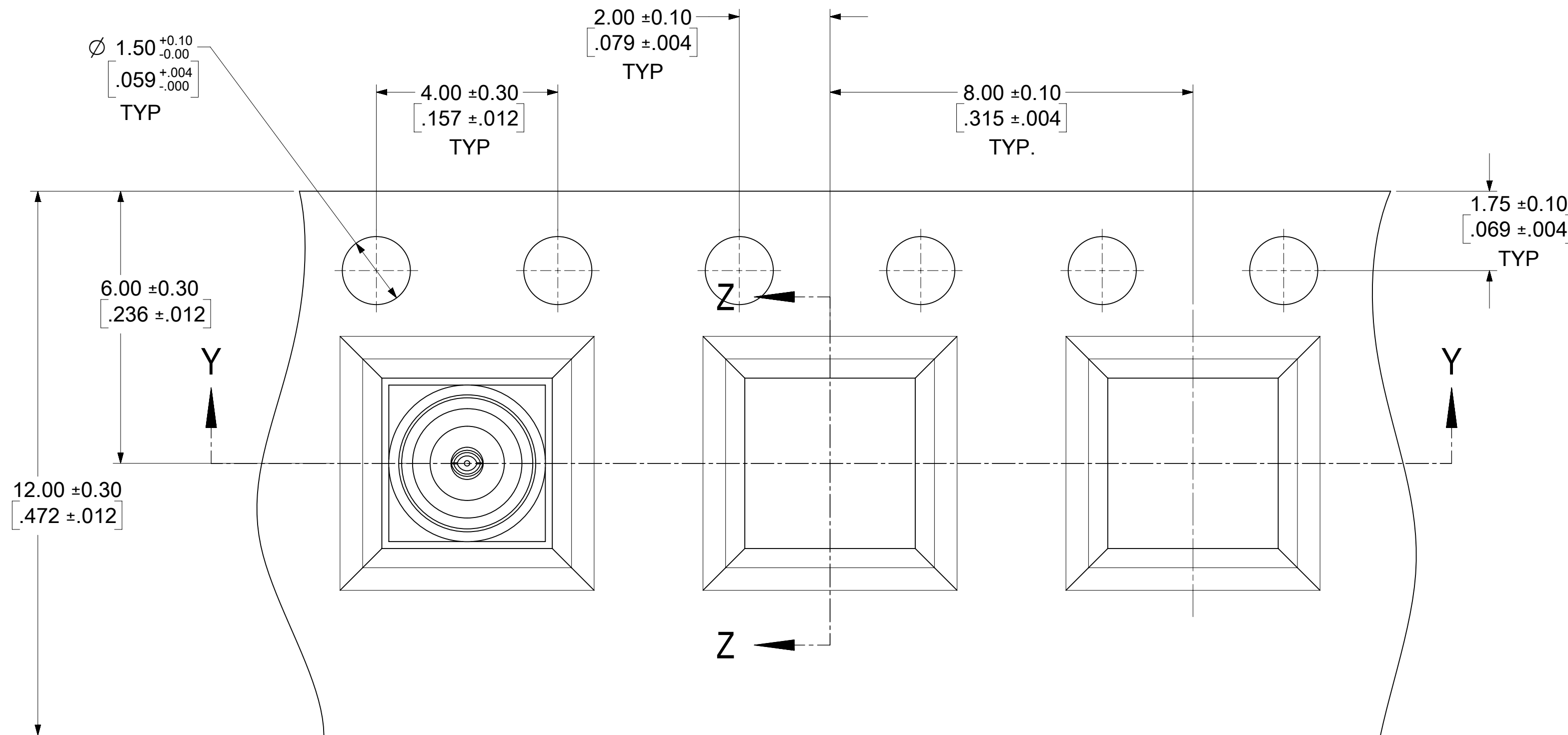


PS-89675-1920	ELECTRO/MECH PERFORM.
SPECIFICATION	DESCRIPTION

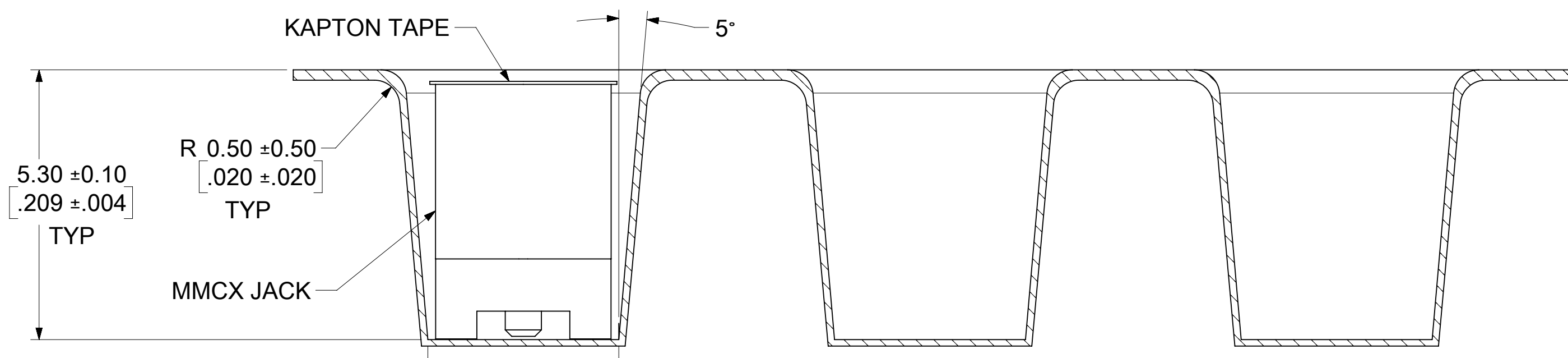
73415-2065	73415-2061 WITH TAPE & REEL WITHOUT KAPTON
73415-2064	73415-2061. ONE PER BAG
73415-2063	73415-2061 WITH TAPE & REEL/KAPTON
73415-2062	73415-2060 WITH TAPE & REEL/KAPTON
73415-2061	PER COMMERCIAL REQUIREMENTS, PACKING TRAY
73415-2060	PER MILITARY REQUIREMENTS, PACKING TRAY
PART NO.	PLATING



FUNCTIONAL SYMBOLS $\frac{E}{A} = 0$ $\frac{E}{C} = 0$ $\frac{E}{P} = 0$	THIS DRAWING CONTAINS INFORMATION THAT IS PROPRIETARY TO MOLEX ELECTRONIC TECHNOLOGIES, LLC AND SHOULD NOT BE USED WITHOUT WRITTEN PERMISSION	SCALE MM/INCH NTS	CURRENT REV DESC: EWR # 15708-A : ADDED PACKAGING SPEC FOR -2060 & -2061 PART NO		
	GENERAL TOLERANCES (UNLESS SPECIFIED)	EC NO: 740907			
	ANGULAR TOL ± 2.0°	DRWN: JSU18 2023/03/02			
	DIVISIONAL SYMBOLS	4 PLACES ±	CHK'D: YCHENG 2023/03/16	PRODUCT CUSTOMER DRAWING	
	3 PLACES ±	APPR: YCHENG 2023/03/16	DOCUMENT NUMBER		
	2 PLACES ±	INITIAL REVISION:	DOC TYPE DOC PART REVISION		
	1 PLACE ±	DRWN: TFLAHERTY 2006/02/09	SD-73415-206 PSD 001 B2		
	0 PLACES ±	APPR: JWIENER 2006/02/09	SHEET NUMBER		
DRAFT WHERE APPLICABLE MUST REMAIN WITHIN DIMENSIONS	THIRD ANGLE PROJECTION	DRAWING C-SIZE	SERIES 73415	MATERIAL NUMBER	CUSTOMER GENERAL MARKET



SECTION Z-Z

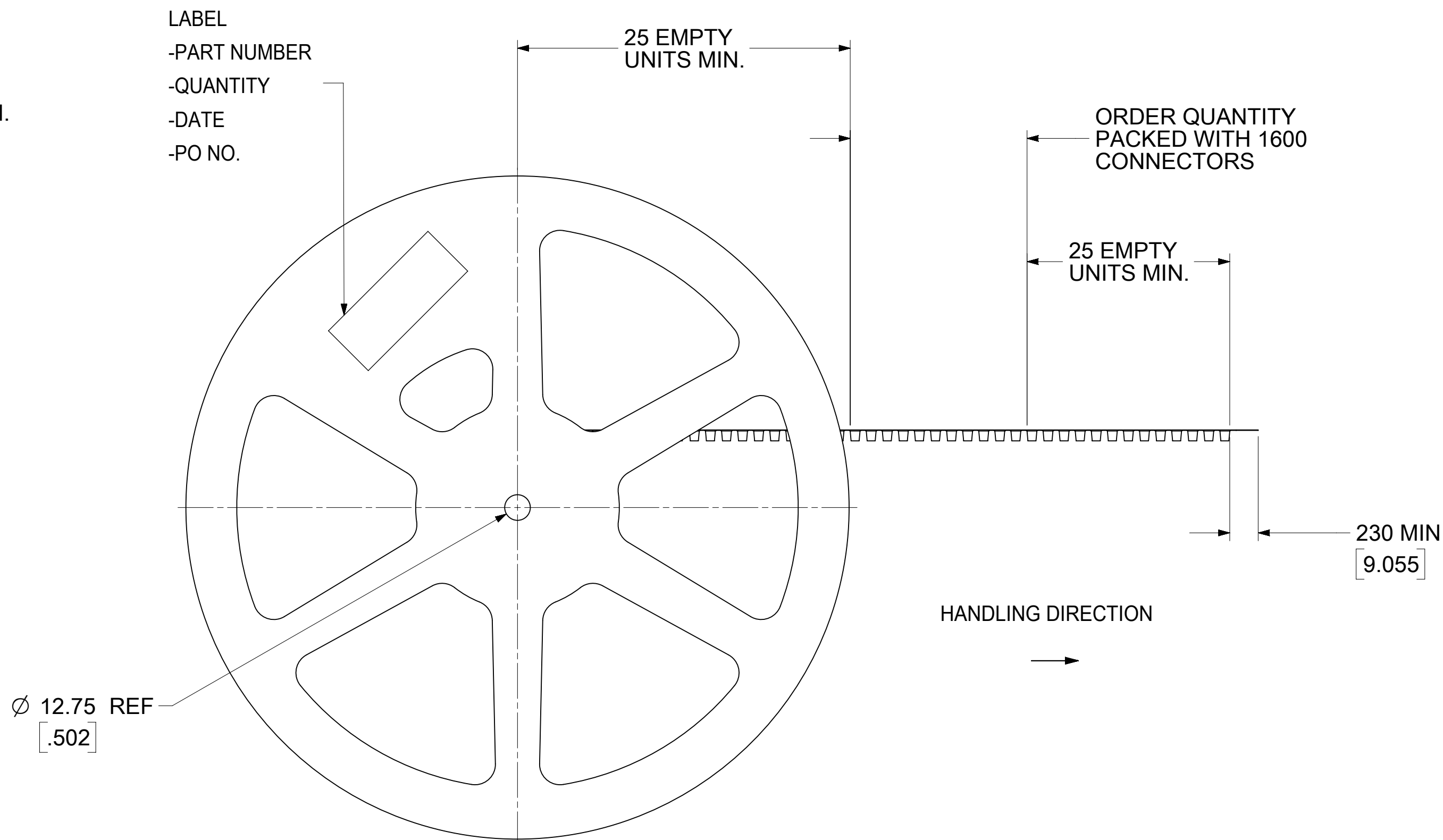
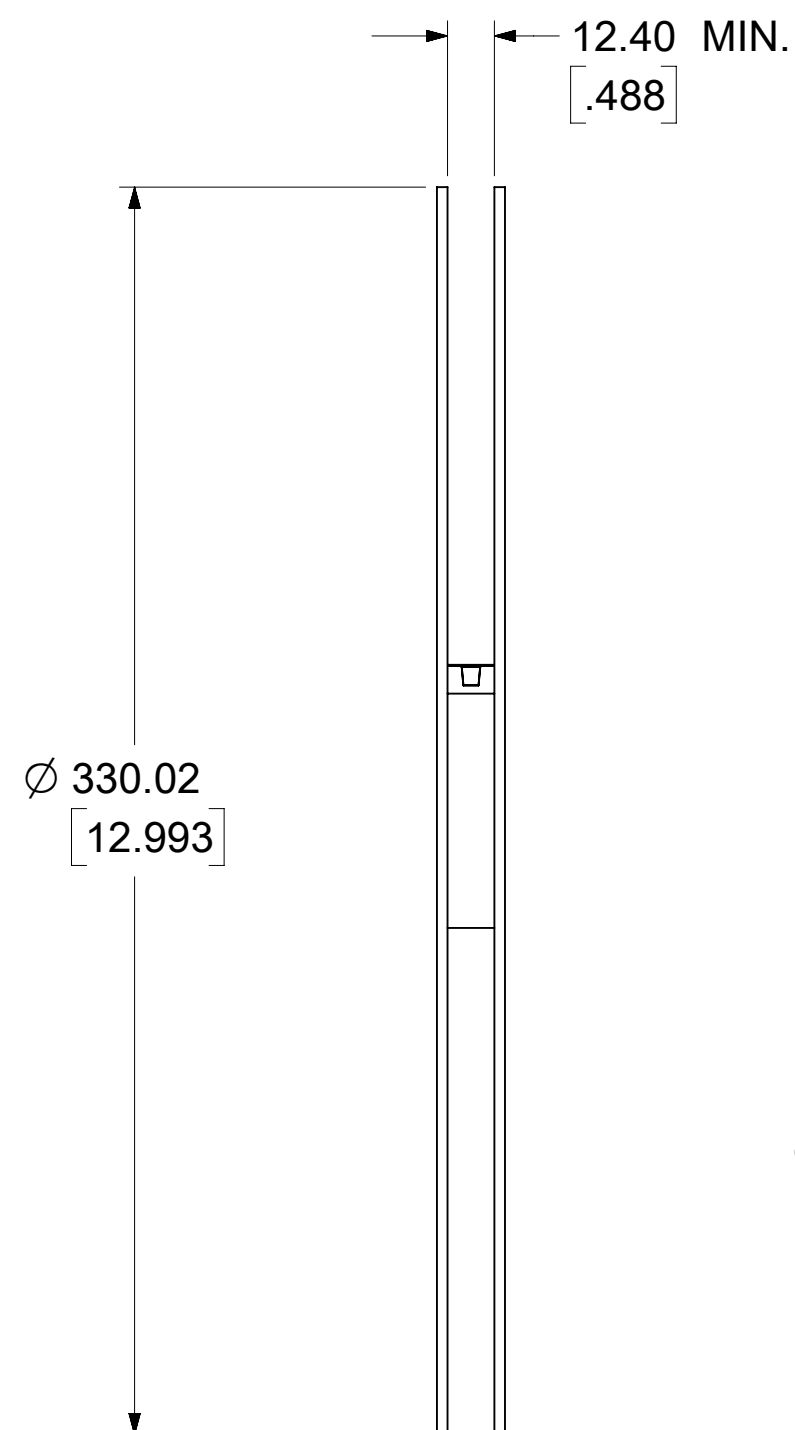
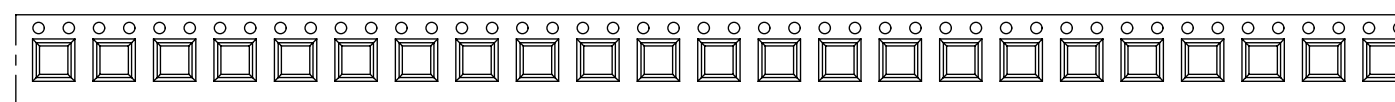


SECTION Y-Y

FUNCTIONAL SYMBOLS $\nabla_A = 0$ $\nabla_C = 0$ $\nabla_P = 0$	THIS DRAWING CONTAINS INFORMATION THAT IS PROPRIETARY TO MOLEX ELECTRONIC TECHNOLOGIES, LLC AND SHOULD NOT BE USED WITHOUT WRITTEN PERMISSION											
	DIMENSION UNITS		SCALE		CURRENT REV DESC: EWR # 15708-A : ADDED PACKAGING SPEC FOR -2060 & -2061 PART NO							
	MM/INCH		NTS									
	GENERAL TOLERANCES (UNLESS SPECIFIED)										EC NO: 740907 DRWN: JSU18 2023/03/02 CHK'D: YCHENG 2023/03/16 APPR: YCHENG 2023/03/16 INITIAL REVISION: DRWN: TFLAHERTY 2006/02/09 APPR: JWIENER 2006/02/09	
ANGULAR TOL $\pm 2.0^\circ$												
4 PLACES \pm												
3 PLACES \pm												
DIVISIONAL SYMBOLS 2 PLACES \pm 1 PLACE \pm 0 PLACES \pm	DRAFT WHERE APPLICABLE MUST REMAIN WITHIN DIMENSIONS											
	THIRD ANGLE PROJECTION		DRAWING		SERIES		MATERIAL NUMBER		CUSTOMER		SHEET NUMBER	
			C-SIZE		73415		SD-73415-206		GENERAL MARKET		2 OF 5	

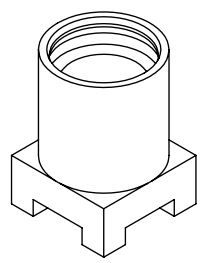
DOCUMENT NUMBER	DOC TYPE	DOC PART	REVISION
SD-73415-206	PSD	001	B2

NOTE:
13" REEL SIZE FOR 1600 PIECES

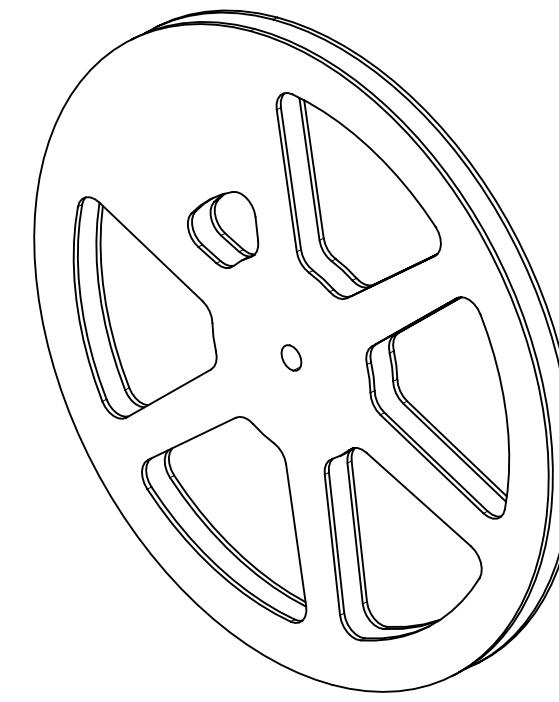
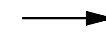
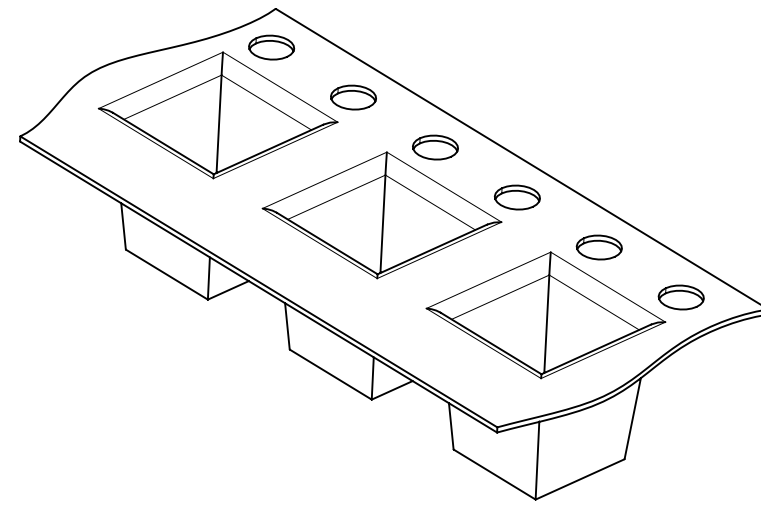
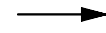


FUNCTIONAL SYMBOLS	THIS DRAWING CONTAINS INFORMATION THAT IS PROPRIETARY TO MOLEX ELECTRONIC TECHNOLOGIES, LLC AND SHOULD NOT BE USED WITHOUT WRITTEN PERMISSION										
	DIMENSION UNITS	SCALE	CURRENT REV DESC: EWR # 15708-A : ADDED PACKAGING SPEC FOR -2060 & -2061 PART NO								
$\frac{F}{A} = 0$	MM/INCH	NTS	molex MMCX JACK, VERTICAL PCB/SMT 50 OHMS MMCX-J/PCB								
$\frac{F}{C} = 0$	GENERAL TOLERANCES (UNLESS SPECIFIED)										
$\frac{F}{P} = 0$	ANGULAR TOL ± 2.0°		EC NO: 740907 DRWN: JSU18 2023/03/02 CHK'D: YCHENG 2023/03/16 APPR: YCHENG 2023/03/16								
DIVISIONAL SYMBOLS	4 PLACES ±		PRODUCT CUSTOMER DRAWING								
	3 PLACES ±		DOCUMENT NUMBER								
	2 PLACES ±		SD-73415-206								
	1 PLACE ±		DOC TYPE DOC PART REVISION								
0 PLACES ±		INITIAL REVISION:		2006/02/09		PSD		001		B2	
DRAFT WHERE APPLICABLE MUST REMAIN WITHIN DIMENSIONS		THIRD ANGLE PROJECTION		DRAWING		SERIES		MATERIAL NUMBER		CUSTOMER	
				C-SIZE		73415		GENERAL MARKET		SHEET NUMBER	
										3 OF 5	

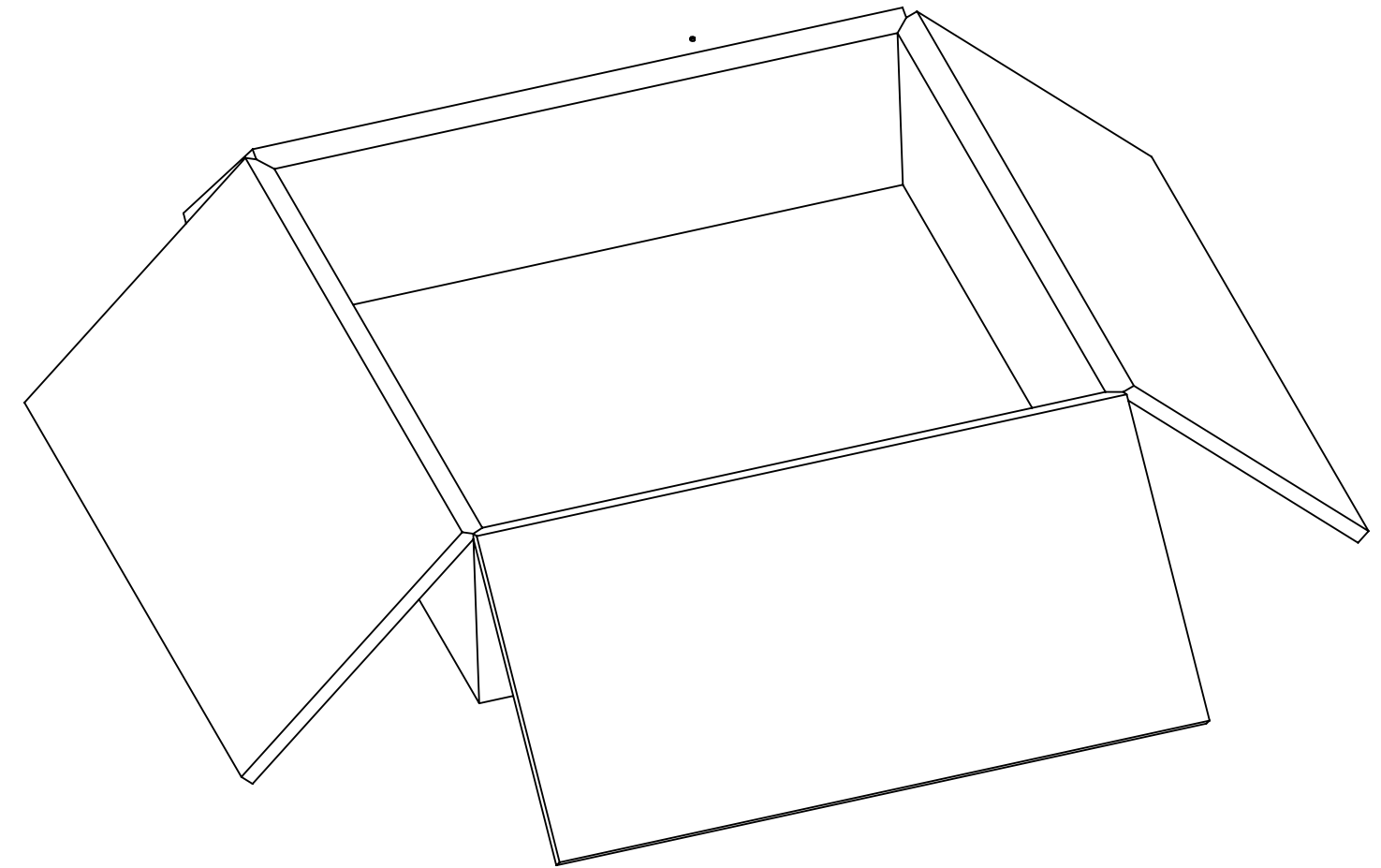
DOCUMENT STATUS	P1	RELEASE DATE	2023/03/16	04:28:02
-----------------	----	--------------	------------	----------



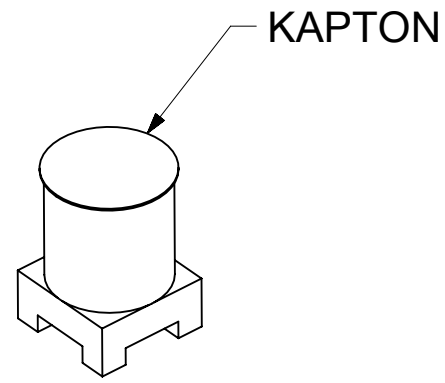
PART NO. 73415-2065



1600 SET PER 13" REEL



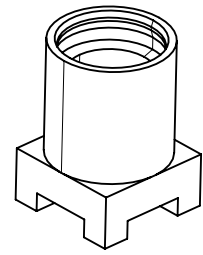
8000 CONNECTORS PER
OUTER CARTON BOX
339 X 339 X 100 REF.



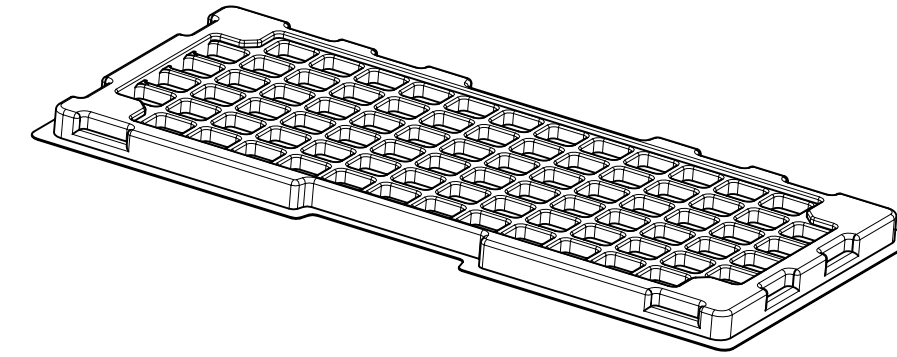
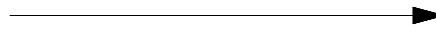
PART NO 73415-2062
PART NO 73415-2063

FUNCTIONAL SYMBOLS	THIS DRAWING CONTAINS INFORMATION THAT IS PROPRIETARY TO MOLEX ELECTRONIC TECHNOLOGIES, LLC AND SHOULD NOT BE USED WITHOUT WRITTEN PERMISSION											
	DIMENSION UNITS	SCALE	CURRENT REV DESC: EWR # 15708-A : ADDED PACKAGING SPEC FOR -2060 & -2061 PART NO								molex	
$\frac{F}{A} = 0$	MM/INCH	NTS	GENERAL TOLERANCES (UNLESS SPECIFIED)									
$\frac{F}{C} = 0$	ANGULAR TOL $\pm 2.0^\circ$		EC NO: 740907								PRODUCT CUSTOMER DRAWING	
$\frac{F}{P} = 0$	4 PLACES	\pm	DRWN: JSU18 2023/03/02								DOCUMENT NUMBER	
DIVISIONAL SYMBOLS	3 PLACES	\pm	CHK'D: YCHENG 2023/03/16								DOC TYPE	
	2 PLACES	\pm	APPR: YCHENG 2023/03/16								DOC PART	
	1 PLACE	\pm	INITIAL REVISION:								REVISION	
	0 PLACES	\pm	DRWN: TFLAHERTY 2006/02/09								SD-73415-206	
	DRAFT WHERE APPLICABLE MUST REMAIN WITHIN DIMENSIONS		THIRD ANGLE PROJECTION		DRAWING	SERIES	MATERIAL NUMBER	CUSTOMER	SHEET NUMBER			
					C-SIZE	73415		GENERAL MARKET	4 OF 5			

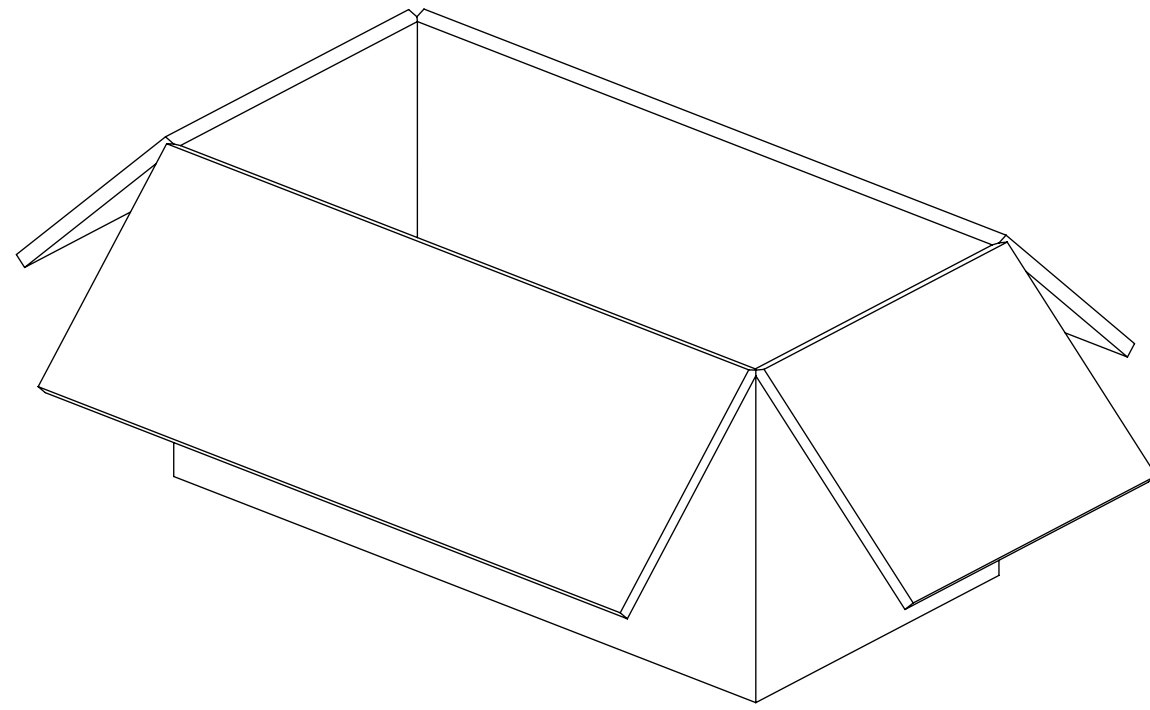
DOCUMENT STATUS	P1	RELEASE DATE	2023/03/16	04:28:02
-----------------	----	--------------	------------	----------



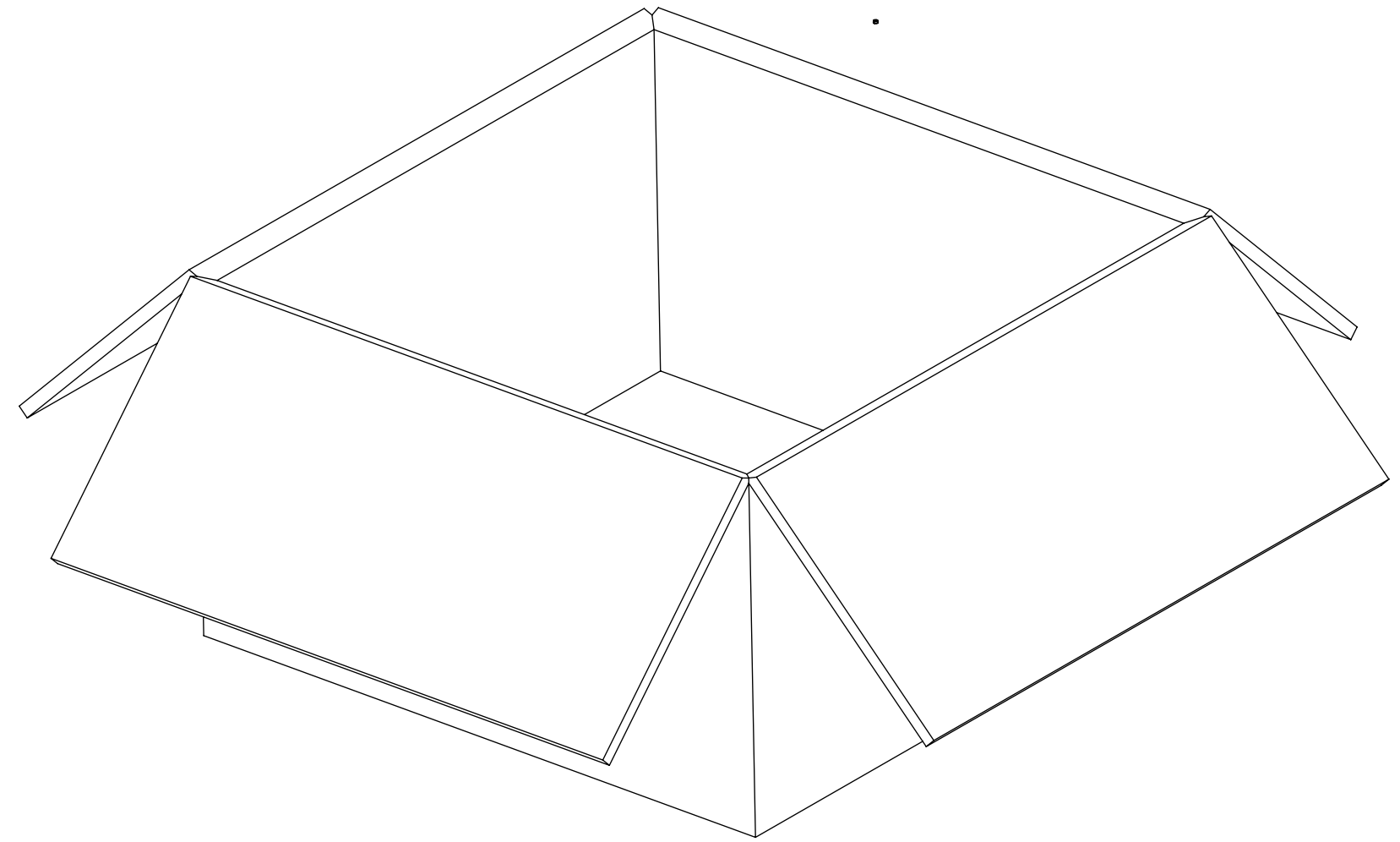
PART NO : 73415-2060
PART NO : 73415-2061



80 SET PER TRAY
P/N: 89707-0190



1600 SET PER INNER CARTON BOX
P/N: 96707-0001



3200 SET PER OUTER CARTON BOX
P/N: 96708-0005

FUNCTIONAL SYMBOLS	THIS DRAWING CONTAINS INFORMATION THAT IS PROPRIETARY TO MOLEX ELECTRONIC TECHNOLOGIES, LLC AND SHOULD NOT BE USED WITHOUT WRITTEN PERMISSION													
	DIMENSION UNITS	SCALE	CURRENT REV DESC: EWR # 15708-A : ADDED PACKAGING SPEC FOR -2060 & -2061 PART NO								molex			
$\frac{F}{A} = 0$	MM/INCH	NTS	GENERAL TOLERANCES (UNLESS SPECIFIED)		EC NO: 740907			2023/03/02						
$\frac{F}{C} = 0$			ANGULAR TOL $\pm 2.0^\circ$			DRWN: JSU18			2023/03/16					
$\frac{F}{P} = 0$			4 PLACES \pm			CHK'D: YCHENG			2023/03/16					
DIVISIONAL SYMBOLS			3 PLACES \pm			APPR: YCHENG			2023/03/16					
			2 PLACES \pm			INITIAL REVISION:			DOCUMENT NUMBER					
			1 PLACE \pm			DRWN: TFLAHERTY			SD-73415-206					
			0 PLACES \pm			APPR: JWIENER			PSD 001 B2					
DRAFT WHERE APPLICABLE MUST REMAIN WITHIN DIMENSIONS			THIRD ANGLE PROJECTION		DRAWING		SERIES		MATERIAL NUMBER		CUSTOMER		SHEET NUMBER	
					C-SIZE		73415		GENERAL MARKET		5 OF 5			