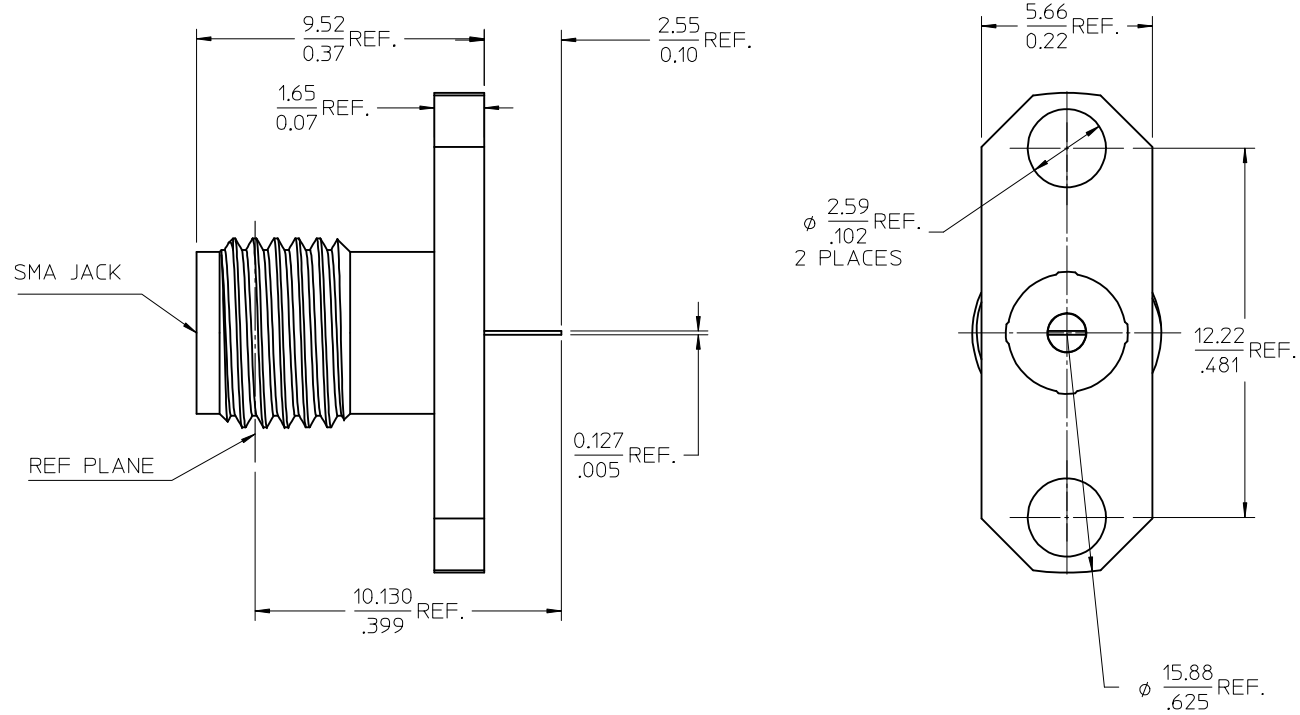
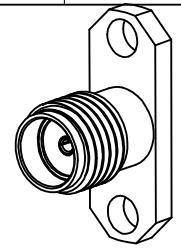


MATERIALS AND FINISHES

BODY STAINLESS STEEL PER ASTM-582
PASSIVATED

CONTACT BERYLLIUM COPPER PER ASTM-B196
PLATED GOLD

INSULATOR TEFLON PER ASTM-D-1457



PART # 73251-0280

PS-89675-2820	ELECTRO/MECH PERFORMANCE
MIL-STD-348A, FIG. 310.2	INTERFACE
SPECIFICATION	DESCRIPTION

73251-0281	73251-0280 BY TRAY (20 CAV.)
PART NO.	PACKAGING

ADDED P/N: 73251-0281	QUALITY SYMBOLS
EC NO: URF2007-0497	▽=0
DRW: NELIN 2007/06/15	▽=0
CHKD: 2007/06/21	
APPR: MHIANG 2007/06/21	
REV	DESCRIPTION
A2	

GENERAL TOLERANCES (UNLESS SPECIFIED)		DIMENSION STYLE MM/IN		SCALE	DESIGN UNITS METRIC	THIRD ANGLE PROJECTION
4 PLACES ±	mm	INCH	DRAWN BY EDC	DATE 2000/02/10	TITLE SMA JACK TAB TERMINAL 2 HOLES SMA-J/PCB	
3 PLACES ±	mm	INCH	CHECKED BY DHG	DATE 2000/02/10	MOLEX INCORPORATED	
2 PLACES ±	mm	INCH	APPROVED BY GMH	DATE 2000/02/10	MATERIAL NO.	DOCUMENT NO.
1 PLACE ±	mm	INCH	ANGULAR ± 2 °		SEE TABLE	SD-73251-028
DRAFT WHERE APPLICABLE MUST REMAIN WITHIN DIMENSIONS			SIZE		THIS DRAWING CONTAINS INFORMATION THAT IS PROPRIETARY TO MOLEX INCORPORATED AND SHOULD NOT BE USED WITHOUT WRITTEN PERMISSION	
					SHEET NO.	1 OF 1