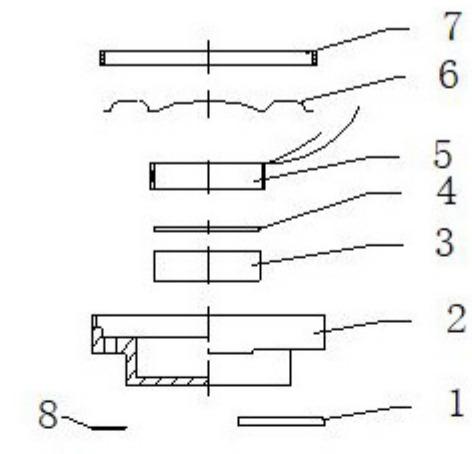
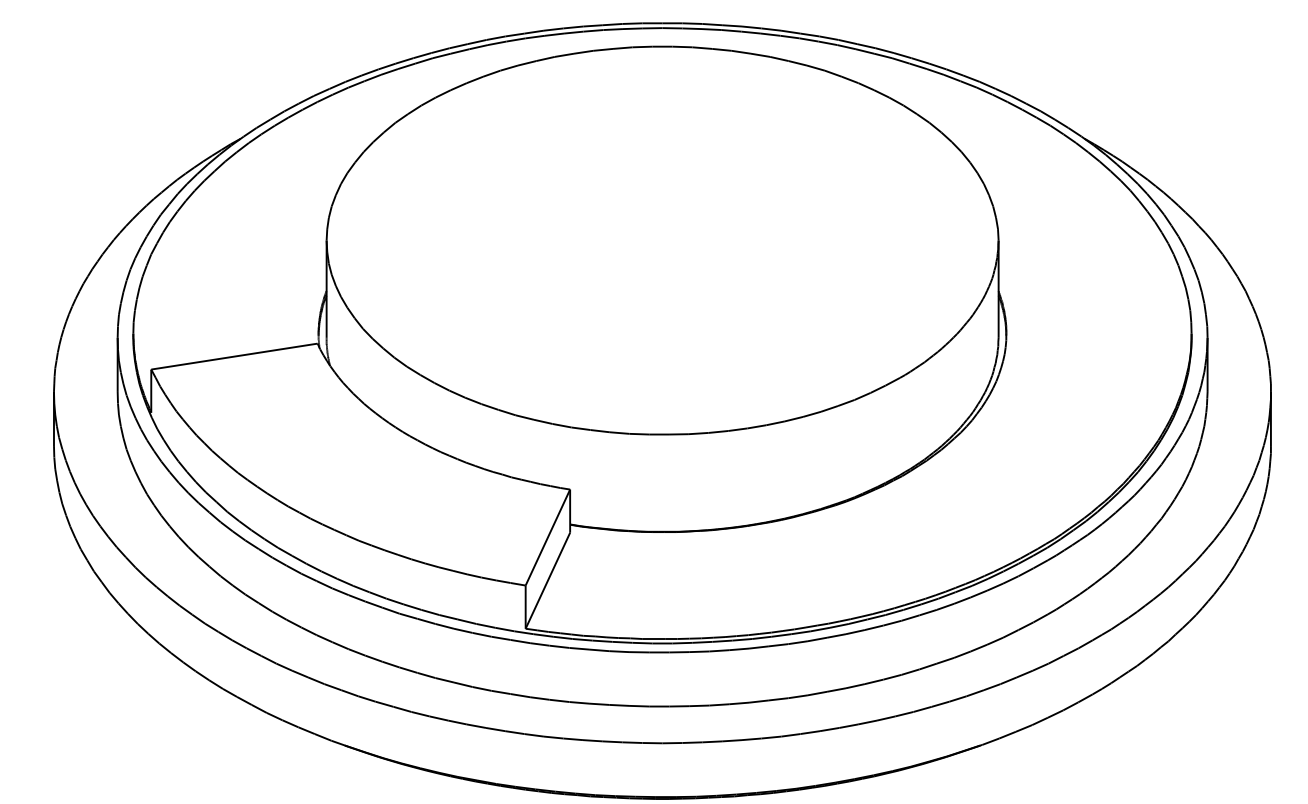
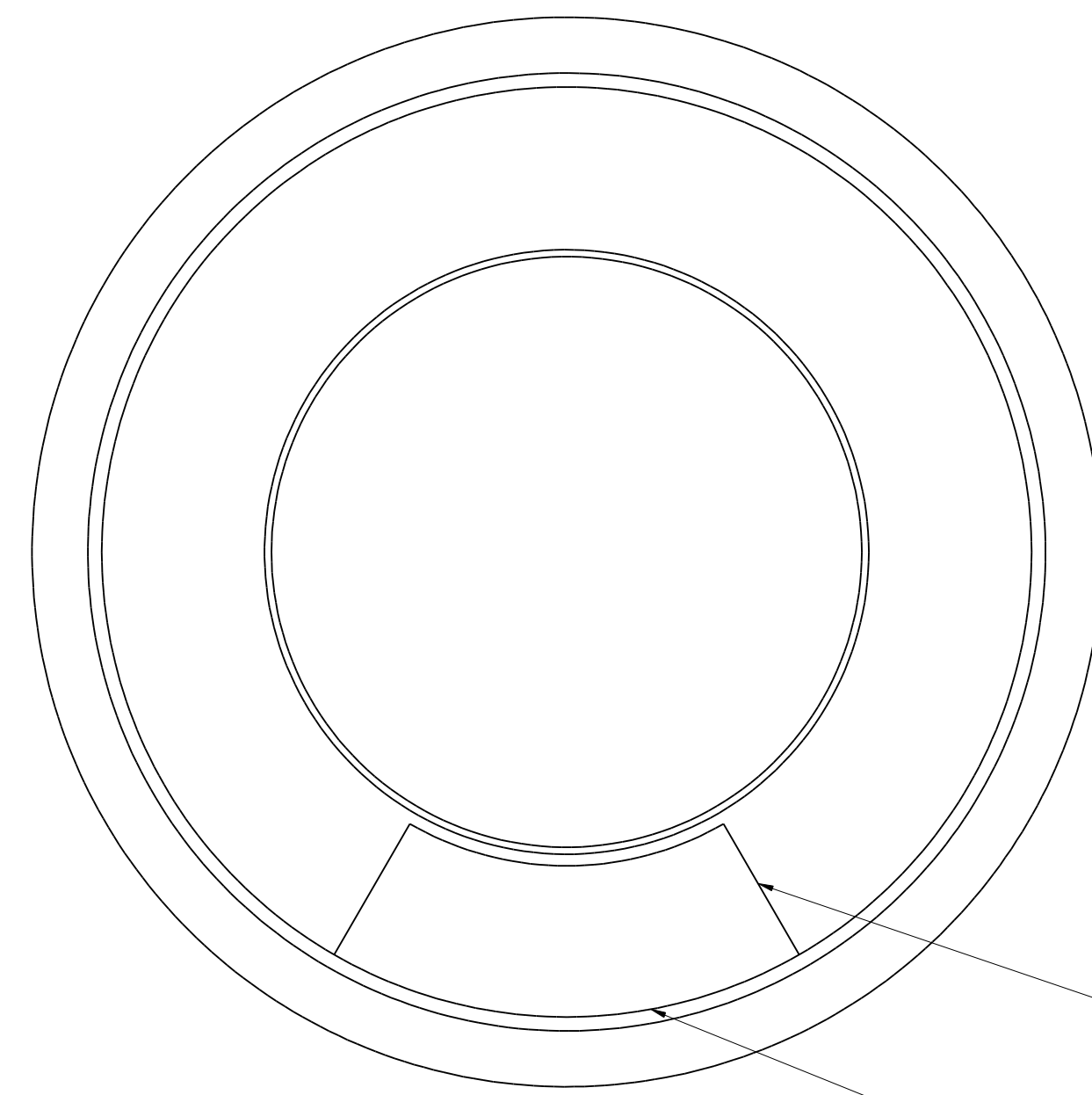


REVISIONS				
ZONE	REV	DESCRIPTION	DATE	APPROVED

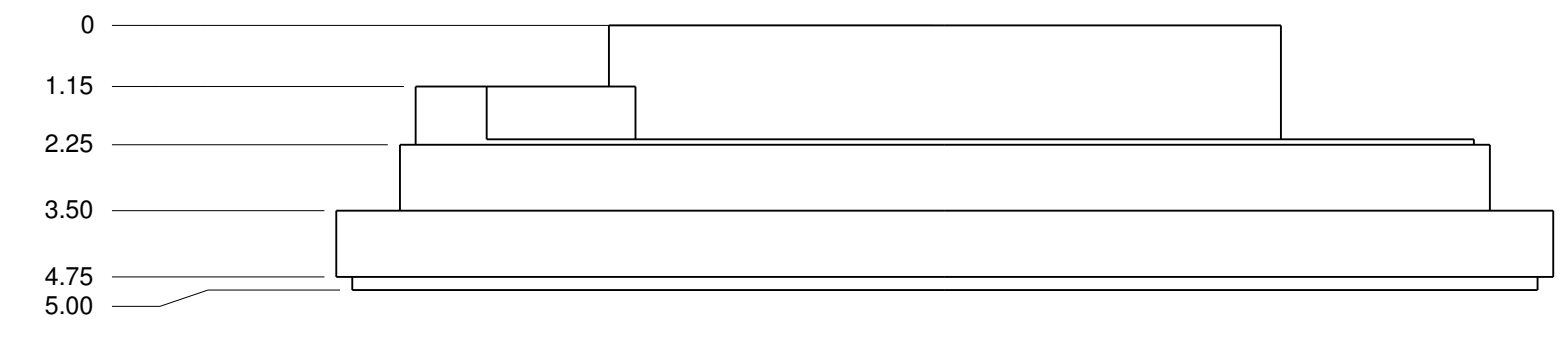
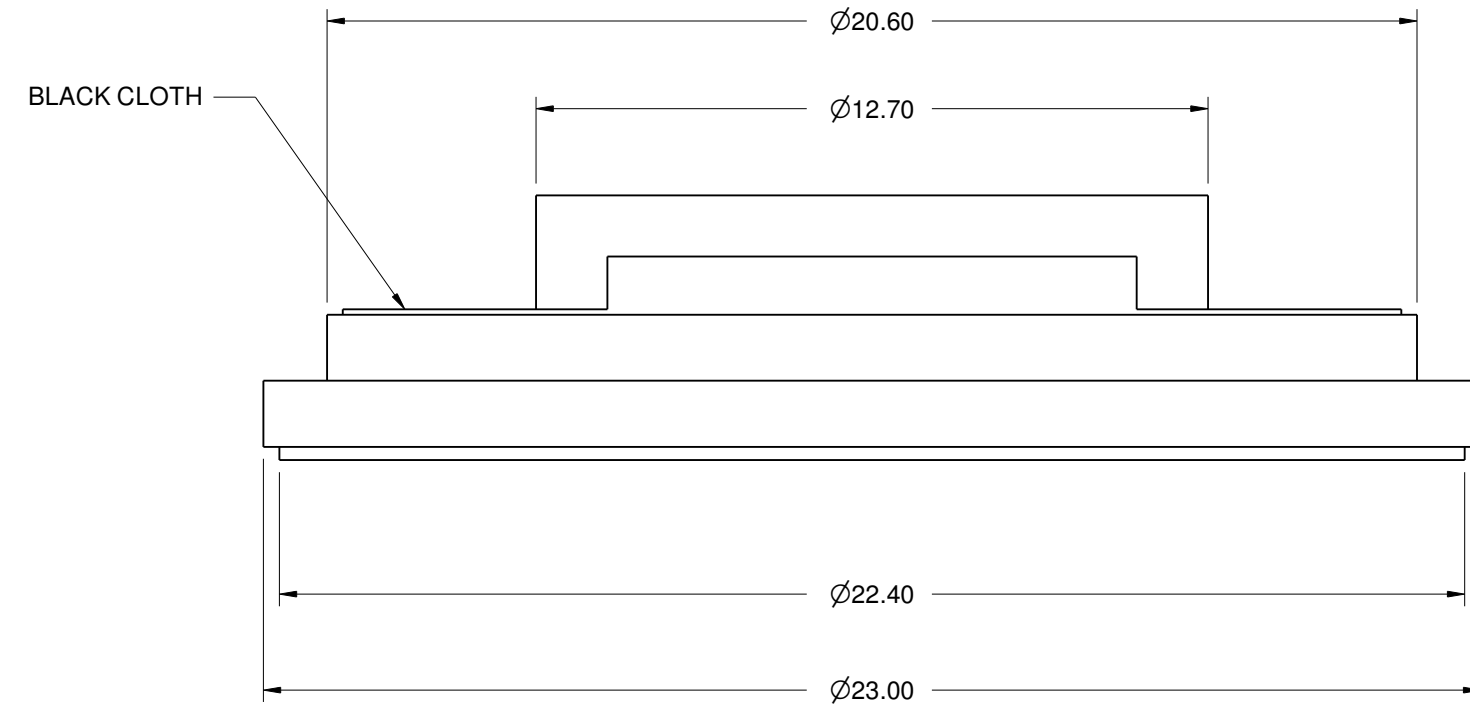


No.	Part Name	Material	Quantity
1	PCB	FR-4	1
2	Frame	SPPC	1
3	Magnet	Φ9.5×1.5-N38	1
4	Plate	φ9.7×0.8SPCC	1
5	Voice Coil	Polyurethane Enamelled Wire	1
6	Diaphragm	PET	1
7	Gasket	Black Paper	1
8	Silk Screen	Black Cloth	1
	Wire	UL1571/AWG32#	2



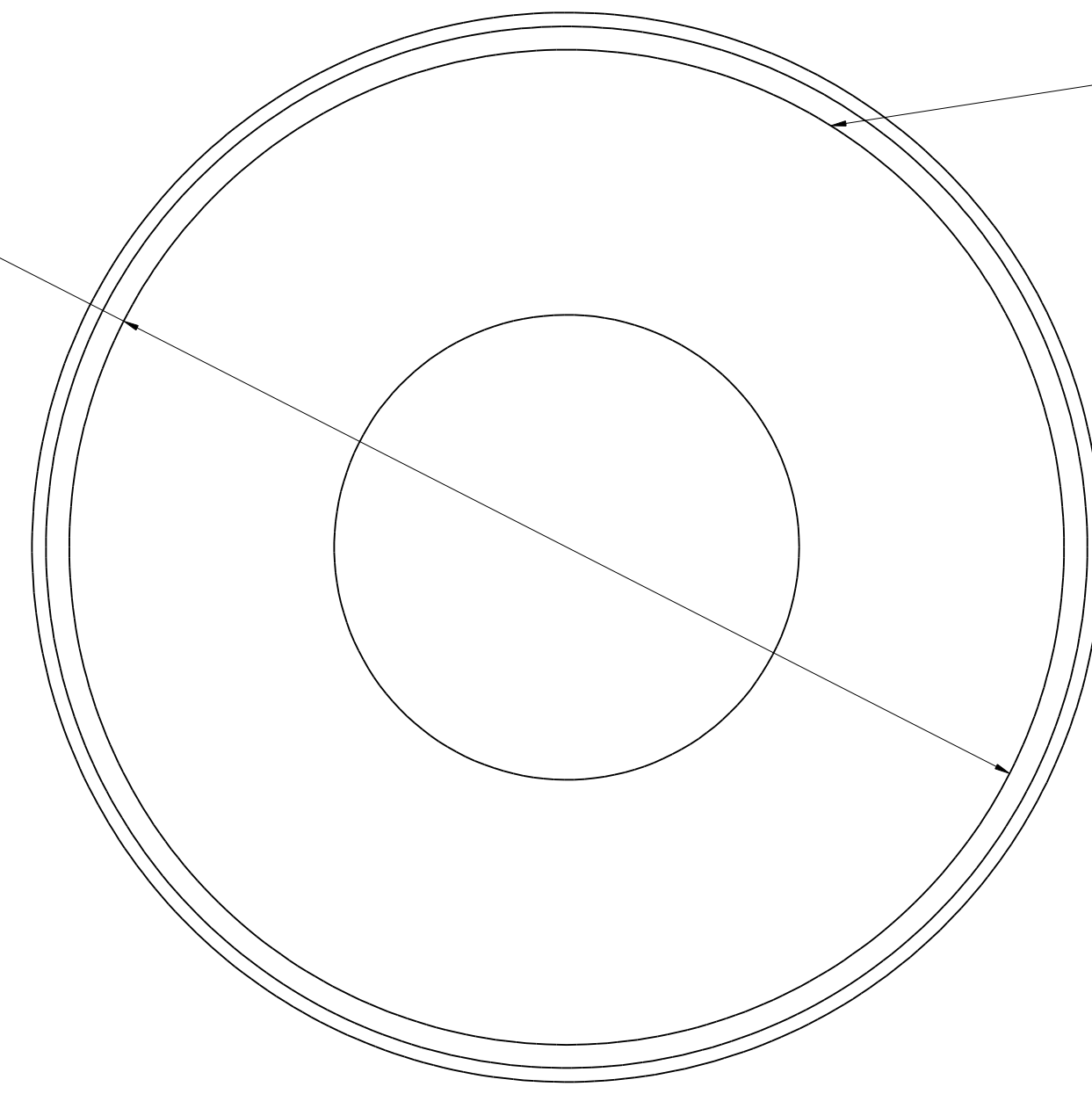
BLACK GLUE

85+/-5MM RED AND BLACK WIRE (UL1571 AWG32)
WITH JST SHR-02V-S-B CONNECTOR
20=1.0



BLACK PET DIAPHRAM

Ø21.40



SIZE	FSCM NO.	DWG NO.	REV
D		SP-2305W	
SCALE	1:1	SHEET	1 OF 1