

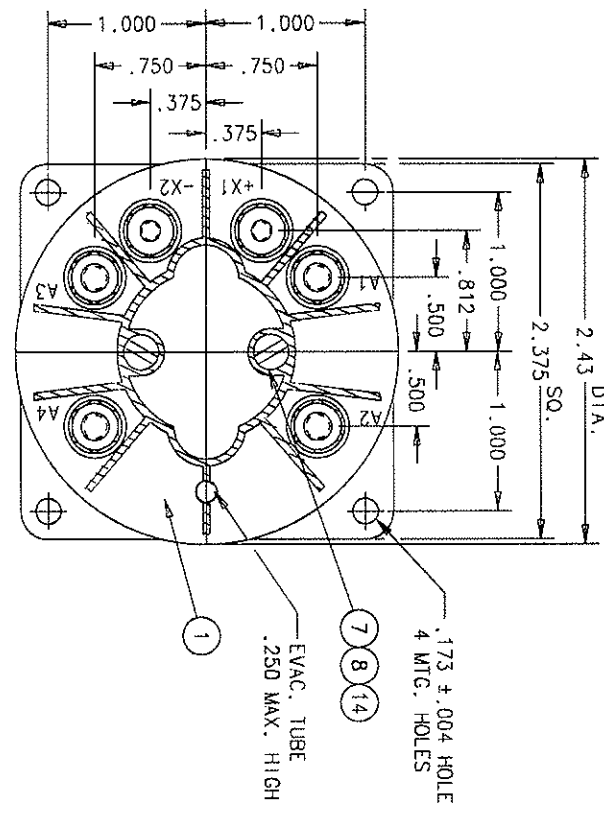
REV.	DESCRIPTION	DATE	APPROVED
1	25942 REDRAWN ON CAED'S, HOUR CORRECTED.	94/04/14	RS
2	422247 HDWN PLATING, TIN WAS SILVER.	00/04/12	RS
3	2.50 DIA. REMOVED		
4	10515-03 CHANGE ITEM 12 FROM 5172-196 TO ANS6101. ADD ITEM 15	03/10/23	CB

REVISIONS

RELEASED

DATE

APPROVED

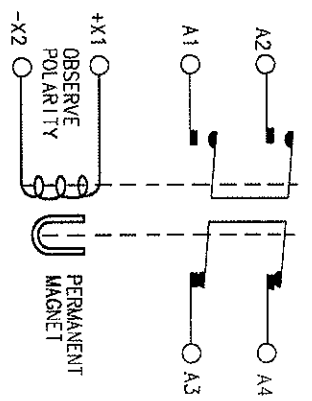


CONSTRUCTION
NOMINAL VOLTAGE
CONTACT RATING, RES. AND IND.
A1-A2 A3-A4
INTERLUPTING CAPABILITY

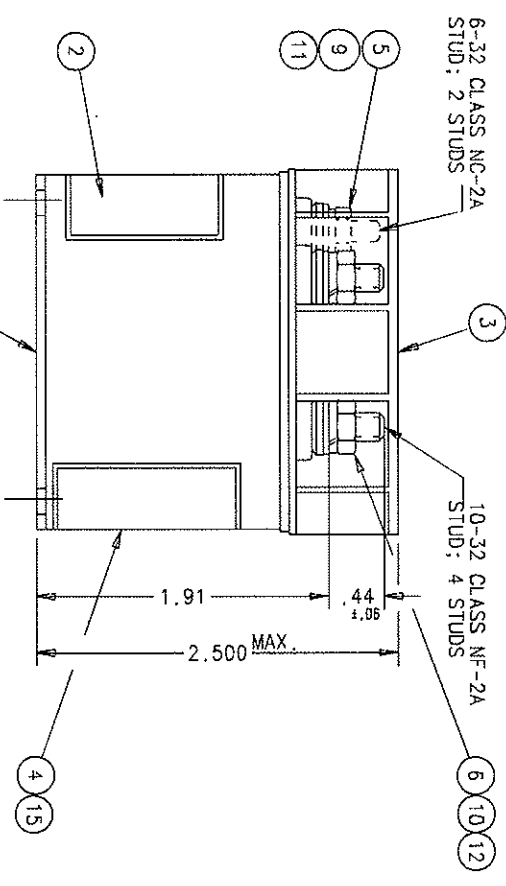
HERMETICALLY SEALED
28VDC

65 A, AT 115 V, 400 HZ., 25 A. AT 28 VDC
500 A, MAX.

28 VDC
18 V. MAX. HOT
1 - 7 V. MAX HOT
35 MS MAX AT 28 VOLTS
25 MS MAX AT 28 VOLTS
5 MS MAX
CONTINUOUS
15 G TO 1000 HZ.
-65°F TO 185°F
11 OZ.



NOTE:
1. TERMINAL SHIELD IS NOTCHED FOR DRAINAGE.



QTY	PART OR IDENTIFYING NO.	PART OR IDENTIFYING NO.	NOMENCLATURE OR DESCRIPTION	DRAWING OR SPECIFICATION	MATERIAL OR NOTE
15	1	39529-001	OVERLAY		MYLAR
14	2	51701-180	WASHER, .015 X .103 X 3/16		
13	1	19885-010	CONTACTOR ASSEM. - PRIMARY, 2 SPST		
12	4	AN96110T	WASHER, 7/16 X .203 X .031 FLAT		AN961-10T BRASS
11	2	51712-246	WASHER, 3/8 X .149 X .032 FLAT		AN961-6T BRASS
10	4	51810-031	WASHER, ND. 6 SPLIT LOCK		MS3538-43 STEEL
9	2	51806-111	WASHER, ND. 5 SPLIT LOCK		MS3538-41 STEEL
8	2	51205-591	SCREW, 5-40 X 3/8 RD HD		BRONZE
7	2	51205-591	SCREW, 5-40 X 3/8 RD HD		BRASS
6	4	50410-086	NUT, 10-32 HEX		MS35650-305T BRASS
5	2	50406-196	NUT, 6-32 HEX		MS35649-265T BRASS
4	1	16581-001	PLATE - WIRING DIAGRAM		
3	1	15549-001	SHIELD - TERMINAL		
2	1	16043-001	PLATE - NAME		
1	1	15537-007	PLATE - BASE COVER		

UNLESS OTHERWISE SPECIFIED DIMENSIONS ARE IN INCHES TOLERANCES ARE	REF. OR IDENTIFYING NO.	NOMENCLATURE OR DESCRIPTION	DRAWING OR SPECIFICATION	MATERIAL OR NOTE
2 PL DEC. 3 PL DEC. ANGLES	GAFC CR131-D1			
±.03 ±.010 ±.1*	DR BY ROB 103/10/23			
	CHK BY CB 103-10-23			
	ENGR CB 08-11-05			
	MFG M 123-01-06			
	SIZE 123-01-06			
	SCALE NONE			
	SHEET			

tyco Electronics
Hartford, CT 06111-1175 N. DULAND STREET WAREFIELD, OHIO 44902

CONTRACTOR - 2, SPST 1NO - 1NC DB
HERMETICALLY SEALED

DWG NO. DH-7AC

REF TYCO P/N 0-1616089-6