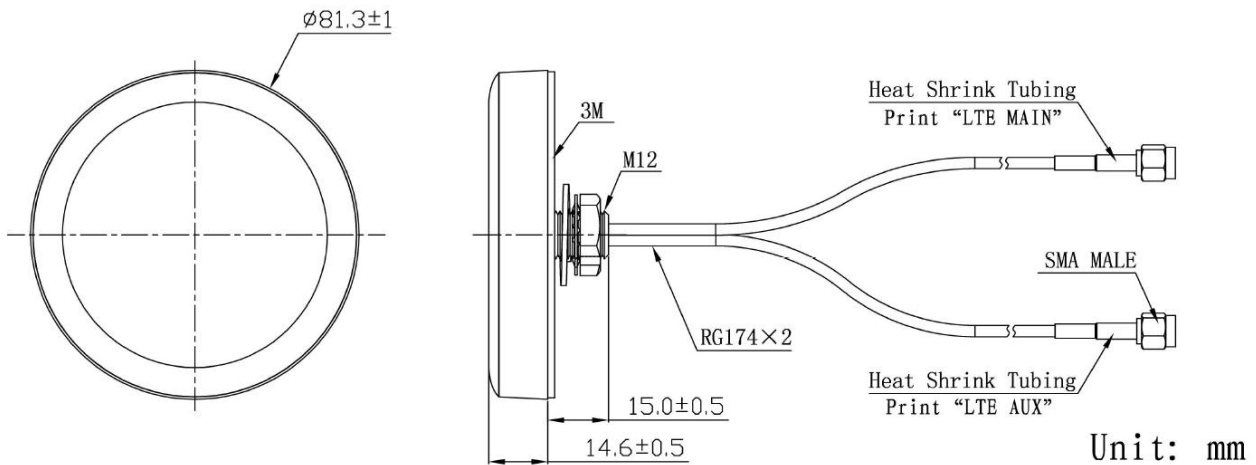


GSM+LTE MIMO Combination Antenna Screw Mount

AN_GSM_046_MIMO-LP



Mechanical dimension



GSM+LTE MIMO Combination Antenna Screw Mount

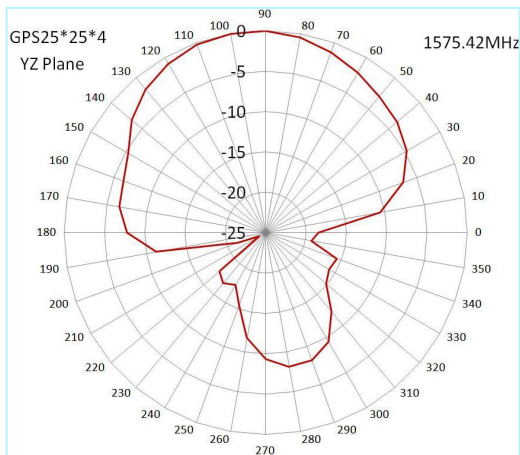
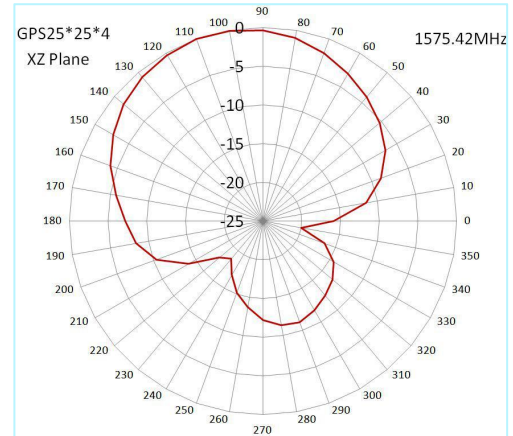
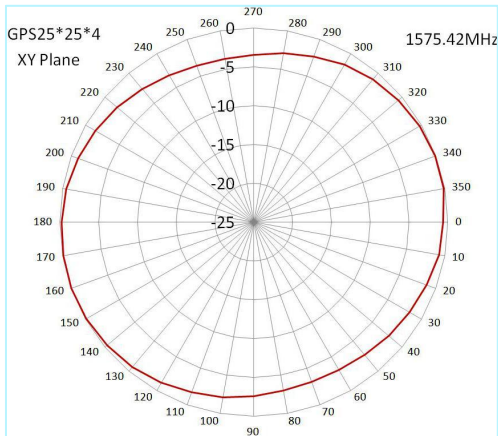
Specifications

Item	Specifications	
4G LTE Antenna MAIN	Frequency Range	698~960MHz/1710~2690MHz
	V.S.W.R	<3.0
	Polarization	Linear
	Gain	2.5dBi (Zenith)
	Impedance	50Ω
4G LTE Antenna AUX	Frequency Range	698~960MHz/1710~2690MHz
	V.S.W.R	<3.0
	Polarization	Linear
	Gain	2.0dBi (Zenith)
	Impedance	50Ω
Mechanical	Cable	RG174
	Connector	SMA or others
	Material	ABS
	Mounting Method	L Plate Screw Mount
Environmental	Operating Temperature	-40°C~+85°C
	Relative Humidity	Up to 95%
	Ingress Protection	IP67(exclude cable outlet)
	Vibration	10 to 55Hz with 1.5mm amplitude 2hours
	Environmentally Friendly	ROHS Compliant

GSM+LTE MIMO Combination Antenna Screw Mount

Radiation Patterns

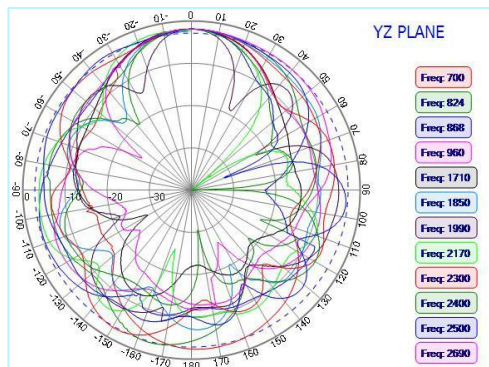
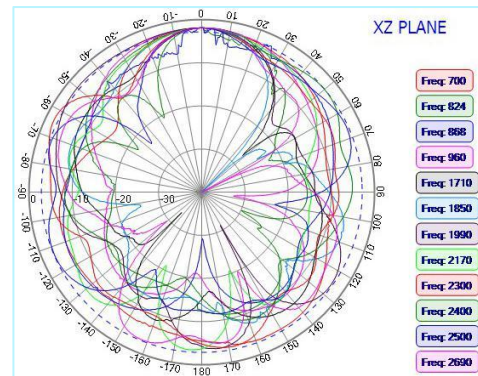
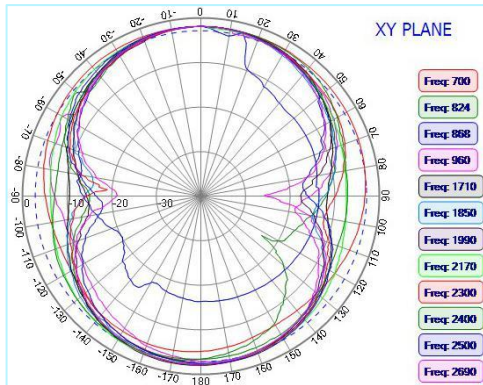
GPS Antenna Part Pattern



GSM+LTE MIMO Combination Antenna Screw Mount

Radiation Patterns

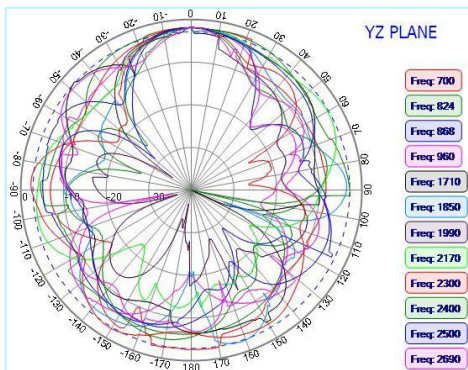
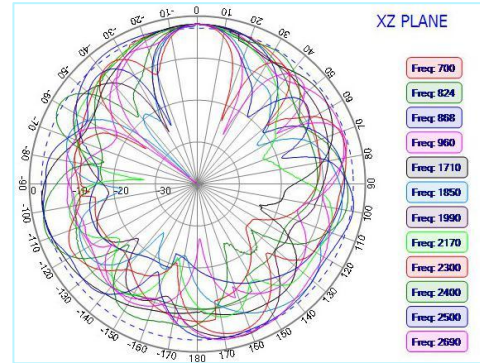
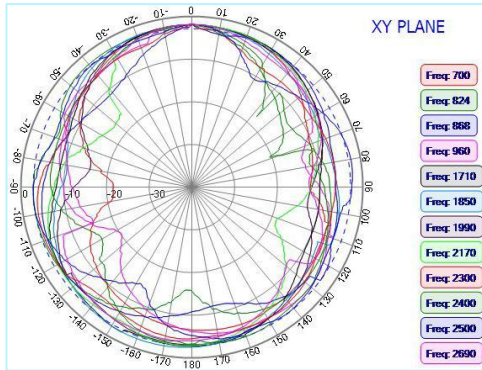
LTE Antenna MAIN part Pattern



GSM+LTE MIMO Combination Antenna Screw Mount

Radiation Patterns

LTE Antenna AUX part Pattern

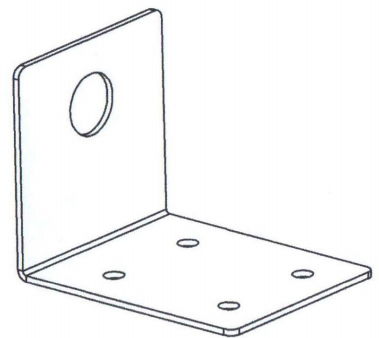
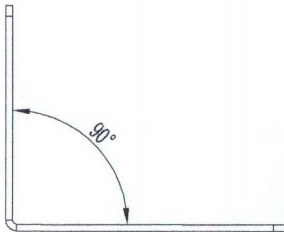
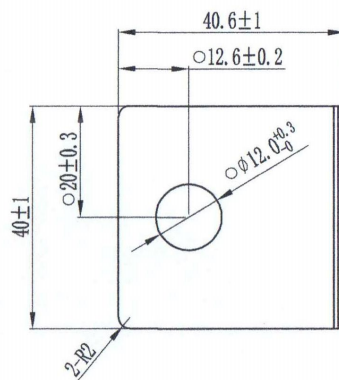
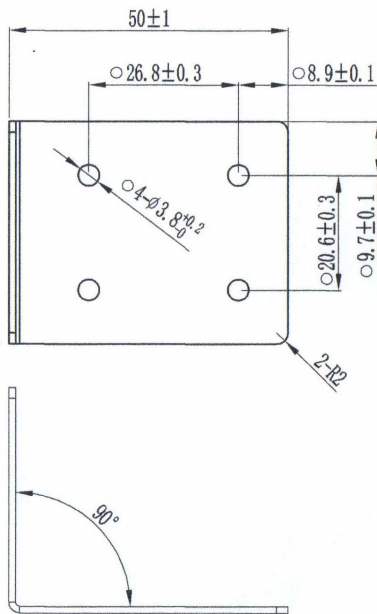


Antenna Mount L shape M12 Tree Mount

M12. Lplate



Mechanical Dimension



Antenna Mount L shape M12 Tree Mount

M12. Lplate

Specifications

Item	Specifications	
L Plate Antenna Mount	Dimension	50mm*40mm*40mm
	Antenna Mounting Hole	M12
	Plate Installation Hole	4*M3.8
	Material	Stainless Steel