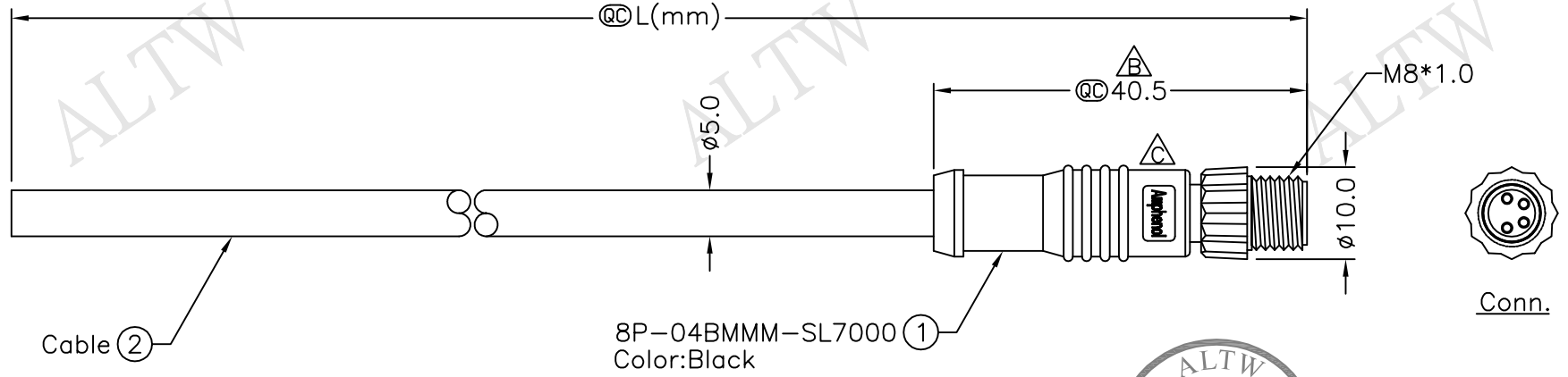
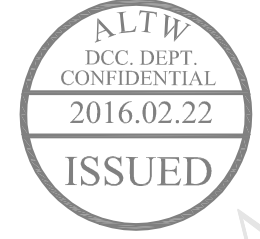


|      |                |            |       |                     |
|------|----------------|------------|-------|---------------------|
| REV. | ECN NO.        | DATE       | SIGN  | DESCRIPTION         |
| B    | LEN-920325~328 | 2009/02/13 | Vicky | Update the drawing. |
| C    | LEN1620235~238 | 2016/02/01 | Ruru  | Change Logo         |



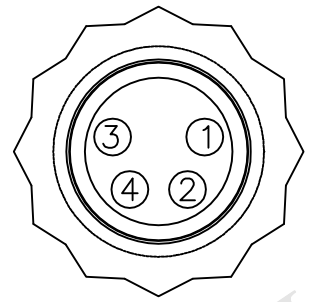
Cable ②

8P-04BMMM-SL7000 ①  
Color:Black



8P-04BMMM-SL7AXX  
 XX:01~99Meters  
 01:01Meter  
 02:02Meters  
 :  
 :  
 99:99Meters  
 Cable Length(L):01~99Meters

- Notes:
- \* @C Important Dimension.
  - \* Waterproof Rate:IP67.
  - \* Connector:Black,PU.
  - \* Male Pin:Copper Alloy,Gold Plated.
  - \* Cable:UL2464 22AWG\*4C+Talcum,Black, PVC Jacket,UV Resistant,OD=5.0mm.
  - \* Cable Length Tolerance:
    - 01M:±40mm
    - 02M~05M:±60mm
    - 06M~10M:±100mm
    - 11M~30M:±200mm
    - 31M~99M:±500mm



Pin Assignments  
Front View

|       |            |   |
|-------|------------|---|
| 4     | Black      | 黑 |
| 3     | Blue       | 藍 |
| 2     | White      | 白 |
| 1     | Brown      | 棕 |
| Conn. | Wire Color |   |
|       | Pin Out    |   |

|           |         |
|-----------|---------|
| UNIT:mm   |         |
| TOLERANCE | ±0.5 mm |

|       |                             |                     |
|-------|-----------------------------|---------------------|
| TITLE | M8 Conn                     |                     |
|       | Cable Screw 4P M Conn M Pin |                     |
| SCALE | Free                        | SHEET 1 OF 1        |
| REV.  | C                           | SIZE A4             |
|       |                             | @C :Inspection Item |

**Amphenol LTW**  
安費諾亮泰企業股份有限公司

|                  |             |            |
|------------------|-------------|------------|
| ITEM NO          | DRAWN BY    | DATE       |
| DWG NO           | CHECKED BY  | DATE       |
| CUSTOMER         | APPROVED BY | DATE       |
| 8P-04BMMM-SL7AXX | Ruru        | 2016/02/01 |
| ALTW             | Rita        | 2016/02/01 |
|                  | Lisa        | 2016/02/01 |

THIS DOCUMENT IS SUBJECT TO CHANGE WITHOUT NOTICE. IT IS CONFIDENTIAL AND A PROPERTY OF Amphenol LTW. DISCLOSURE TO THIRD PARTY HAS TO BE AUTHORIZED BY Amphenol LTW.

A B C D E F