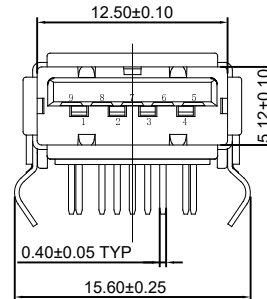
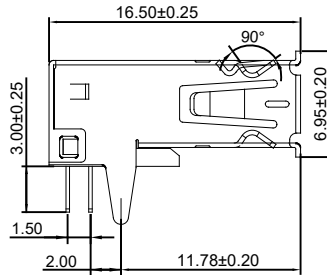
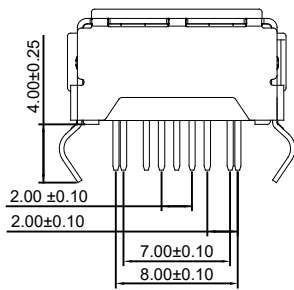
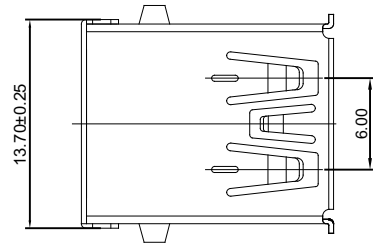


TOLERANCE:	
X	±0.40
X.X	±0.30
X.XX	±0.25
X.XXX	±0.15
X. ^o ±1°	X.X ^o ±0.05°

THIS IS A C.A.D. GENERATED DRAWING
DO NOT MAKE MANUAL REVISIONS TO MASTER.

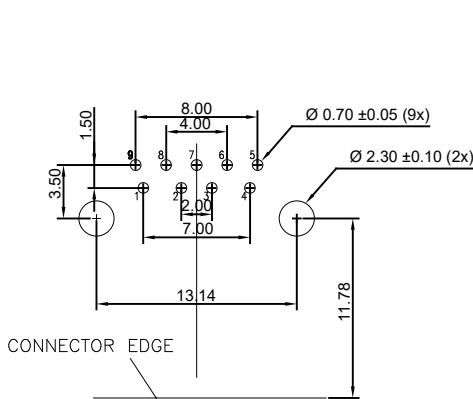


ISSUE NUMBER	
ADD P/N: 690-009-521T013 AND 690-009-621T013 R.STA.MONICA JUN.01/10	8
690-009-521-313 WAS 690-009-521T013 AND 690-009-621-313 WAS 690-009-621T013, ADD TAPE & REEL AND PCB TOLERANCE R.STA.MONICA JUN.07/10	9
ADD POSITION NOS. AT PCB LAYOUT F.BRIONES MAY.11/2012	10
300PCS WAS 350PCS/REEL R.STA.MONICA NOV.20/2014	11
UPDATE DRAWING	12
LCP WAS PBT UPDATE NOTE H.D AUG.20/2019	13
13.20 WAS 13.10 3.00 WAS 3.70 H.D AUG.28/2019	14
1.95 WAS 2.05 ADD PCB LAYOUT HOLE DIA. ADD PACKAGING DWG. FOR 690-009-621-013 P.M. OCT. 17/2019	15
REDRAWN P.M. JAN. 05/2021	16

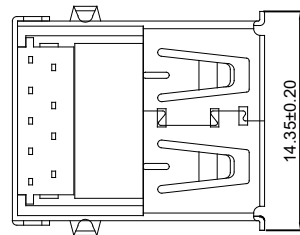


NOTE:

- MATERIAL:
HOUSING: PA9T+30%GF, UL94V-0, BLUE
CONTACT: COPPER ALLOY
SHELL: COPPER ALLOY
- FINISH:
CONTACT: SELECTIVE GOLD PLATING (SEE TABLE),
WITH 50u" MIN. TIN PLATING ON SOLDER TAIL AREA,
ALL OVER 30u" MIN. NICKEL UNDERPLATING.
SHELL: 50u" MIN. NICKEL UNDERPLATING OVER ALL.
- SPECIFICATION:
3.1: VOLTAGE CURRENT RATING: 1.5 A. 30V AC
INSULATION RESISTANCE:
100MΩ MIN. AT 100V DC FOR 1MINUTE.
WITHSTANDING VOLTAGE: 100V AC FOR 1MINUTE
CONTACT RESISTANCE:
30MΩ(MAX) INITIAL FOR VBUS AND GND CONTACTS.
50MΩ(MAX) INITIAL FOR ALL OTHER CONTACTS.
3.2: CHARACTERISTICS:
MATING FORCE: 35N(3.57KGF) MAX.
UNMATING FORCE(WITHOUT LOCK): 10N(1.02KGF) MIN.
DURABILITY: 1500 CYCLES MIN.
4: OPERATING TEMPERATURE: -55°C TO +85°C



TOLERANCE: ±0.05,
RECOMMENDED PCB LAYOUT
(TOP VIEW)



PART NUMBERS	GOLD PLATING	PACKAGING DETAIL
690-009-521-013	15 u" OF GOLD	TAPE AND REEL
690-009-521-313	15 u" OF GOLD	PLASTIC TRAY
690-009-621-013	30 u" OF GOLD	TAPE AND REEL
690-009-621-313	30 u" OF GOLD	PLASTIC TRAY



THIS SERIES FULLY CONFORMS TO
THE EUROPEAN UNION DIRECTIVES
2011/65/EU FOR RoHS COMPLIANCY.

USB-A RECEPTACLE 90° DIP, 3.0 VERSION

EDAC EDAC INC
TORONTO, ONTARIO
CANADA
YOUR CONNECTION TO QUALITY & SERVICE

THESE DRAWINGS AND SPECIFICATIONS
ARE THE PROPERTY OF EDAC INC., AND
SHALL NOT BE REPRODUCED, OR COPIED
OR USED AS THE BASIS FOR THE
MANUFACTURE OR SALE OF APPARATUS
WITHOUT WRITTEN PERMISSION.

ACAD REFERENCE NO.	690-009-521-013	
DRAWN: C.B	DATE: AUG.16/16	
PART NUMBER	SEE ABOVE	
DRAWING NUMBER	690-009-521-013	SHEET 1 OF 2
		ISSUE 16

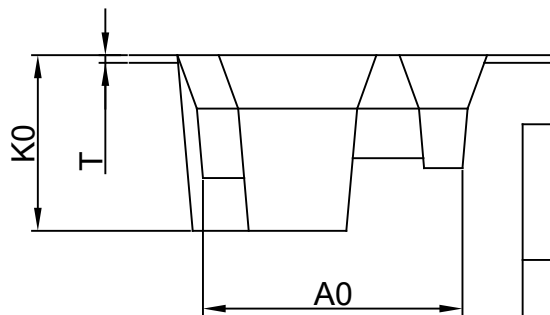
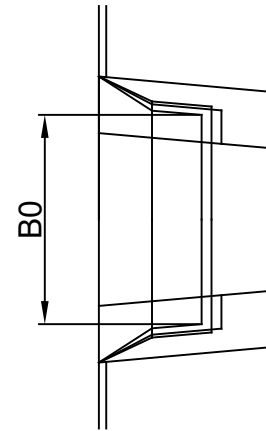
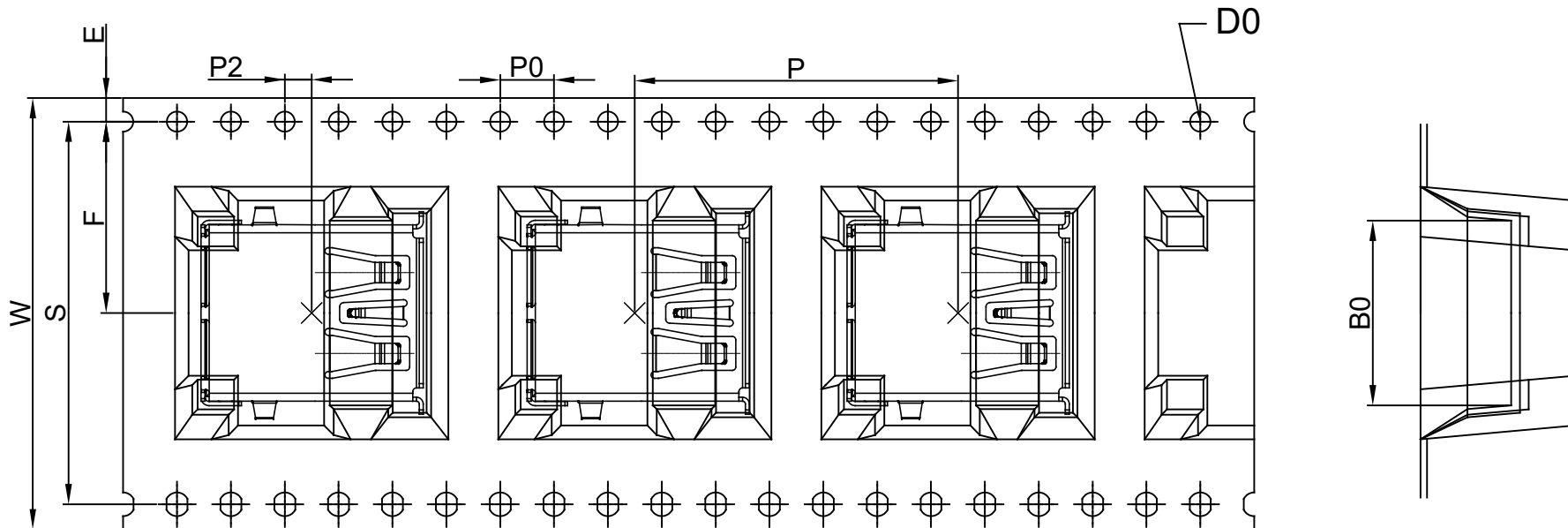
W	32.00 ± 0.30	P	24.00 ± 0.10	A0	17.00 ± 0.10	B0	13.70 ± 0.10
S	28.40 ± 0.10	P0	4.00 ± 0.10	A1		B1	
E	1.75 ± 0.10	P2	2.00 ± 0.10			B2	
F	14.20 ± 0.10	D0	$\varnothing 1.50 \begin{smallmatrix} + 0.10 \\ - 0 \end{smallmatrix}$	K0	11.5 ± 0.10	K1	
T	0.50 ± 0.05	D1					

TOLERANCE:	
X	±0.40
XX	±0.30
XXX	±0.25
XXXX	±0.15
X° ±1°	X'X° ±0.05°

THIS IS A C.A.D. GENERATED DRAWING
DO NOT MAKE MANUAL REVISIONS TO MASTER.



- 1- Accumulated error of any ten chain holes does not exceed +/- 0.2 mm
- 2- Non-parallel of distance of 250mm in the longitudinal direction of the carrier tape shall not exceed 1mm
- 3- Material: black, PS.
- 4- All dimensions meet the requirement of 'EIA-481-D'
- 5- 13" disk, 5.4m per reel. 200pcs. Leave 14pcs empty at start and another 14 pcs at end.
- 6- Meet ROHS



THIS SERIES FULLY CONFORMS TO
THE EUROPEAN UNION DIRECTIVES
2011/65/EU FOR RoHS COMPLIANCY.

TAPE & REEL PACKAGING
FOR 690-009-621-013



EDAC INC
TORONTO, ONTARIO
CANADA
YOUR CONNECTION TO QUALITY & SERVICE

THESE DRAWINGS AND SPECIFICATIONS
ARE THE PROPERTY OF EDAC INC., AND
SHALL NOT BE REPRODUCED, OR COPIED
OR USED AS THE BASIS FOR THE
MANUFACTURE OR SALE OF APPARATUS
WITHOUT WRITTEN PERMISSION.

ACAD REFERENCE NO.	690-009-521-013	
DRAWN: P.M.	DATE: OCT. 17/2019	
PART NUMBER	690-009-621-013	SHEET 2 OF 2
DRAWING NUMBER	690-009-521-013	ISSUE 16