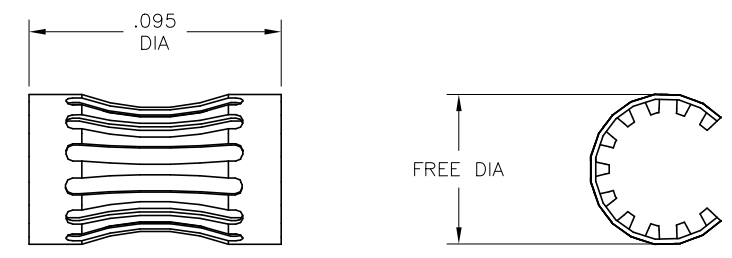


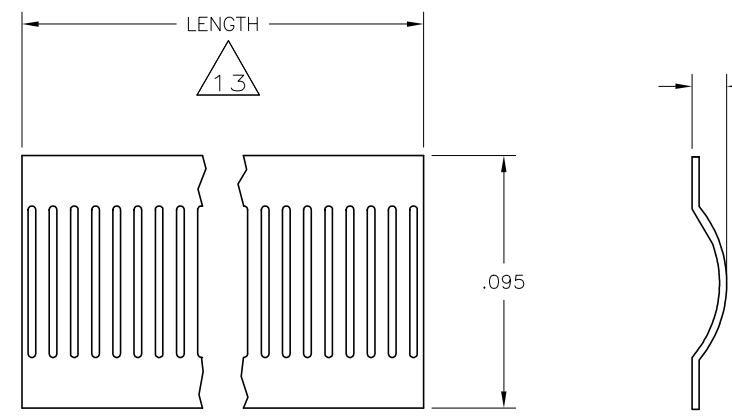
THIS DRAWING IS UNPUBLISHED. RELEASED FOR PUBLICATION
 © COPYRIGHT - By - ALL RIGHTS RESERVED.

REVISIONS					
P	LTR	DESCRIPTION	DATE	DWN	APVD
M		REVISED PER ECO-17-013721	16NOV2017	RS	MZ
N		REVISED PER ECO-18-005775	24APR2018	RS	MZ
P		REVISED PER ECO-19-005577	10APR2019	RS	MZ

LH	FREE DIA (REF)	STYLE	MAT'L (NOTE)	MATING PIN ϕ REF	PLATING (NOTE)	NUM LOUV	MAT'L THK	REF	PART NUMBER
[.012][.28]	A	12	6.1[.241]	3-2	28	0.10[.004]	06045	5-192047-0	OBSOLETE $\triangle 18$
[.012][.26]	A	12	5.7[.226]	3-2	26	0.10[.004]	06017	4-192047-9	OBSOLETE $\triangle 18$
[.012][.25]	A	12	5.3[.210]	3-2	24	0.10[.004]	06044	4-192047-8	OBSOLETE $\triangle 18$
[.012][.23]	A	12	4.8[.188]	3-2	22	0.10[.004]	06052	4-192047-7	OBSOLETE $\triangle 18$
[.012][.22]	A	12	4.7[.187]	UNPL	21	0.10[.004]	06021	4-192047-6	OBSOLETE $\triangle 18$
[.012][.22]	A	12	4.5[.179]	3-2	21	0.10[.004]	06043	4-192047-5	OBSOLETE $\triangle 18$
[.012][.20]	A	12	4.3[.168]	3-2	19	0.10[.004]	06016	4-192047-4	OBSOLETE $\triangle 18$
[.012][.19]	A	12	4.1[.160]	6-2	18	0.10[.004]	06065	4-192047-3	OBSOLETE $\triangle 18$
[.012][.19]	A	12	4.1[.160]	UNPL	18	0.10[.004]	06066	4-192047-2	OBSOLETE $\triangle 18$
[.012][.17]	A	12	3.7[.146]	UNPL	16	0.12[.005]	06011	4-192047-1	OBSOLETE $\triangle 18$
[.012][.17]	A	12	3.7[.146]	4-2	16	0.10[.004]	06035	4-192047-0	OBSOLETE $\triangle 18$
[.012][.17]	A	12	3.7[.146]	UNPL	16	0.10[.004]	06010	3-192047-9	OBSOLETE $\triangle 18$
[.012][.17]	A	12	3.7[.146]	UNPL	16	0.08[.003]	06009	3-192047-8	OBSOLETE $\triangle 18$
[.012][.15]	A	12	3.2[.125]	6-2	14	0.10[.004]	06064	3-192047-7	
[.012][.15]	A	12	3.2[.125]	5	14	0.10[.004]	06056	3-192047-6	
[.012][.15]	A	12	3.2[.125]	UNPL	14	0.10[.004]	06055	3-192047-5	OBSOLETE $\triangle 18$
[.012][.15]	A	12	2.9[.113]	3-2	14	0.10[.004]	06042	3-192047-4	OBSOLETE $\triangle 18$
SUPERSEDED BY 3-192047-5									
[.012][.15]	A	12	2.9[.113]	UNPL	14	0.08[.003]	06023	3-192047-3	SUPERSEDED $\triangle 18$
[.012][.11]	A	12	2.0[.080]	3-2	10	0.15[.006]	06076	3-192047-1	OBSOLETE $\triangle 18$
[.012][.11]	A	12	2.0[.080]	UNPL	10	0.15[.006]	06075	3-192047-0	OBSOLETE $\triangle 18$
[.012][.11]	A	12	2.0[.080]	4-2	10	0.12[.005]	06074	2-192047-9	
[.012][.11]	A	12	2.0[.080]	UNPL	10	0.12[.005]	06073	2-192047-8	
[.012][.11]	A	12	2.0[.080]	3-2	10	0.10[.004]	06070	2-192047-7	
[.012][.11]	A	12	2.0[.080]	UNPL	10	0.10[.004]	06041	2-192047-6	OBSOLETE $\triangle 18$
[.012][.11]	A	12	2.0[.080]	C	9	0.10[.004]	06037	2-192047-5	
[.012][.11]	A	12	2.0[.080]	UNPL	9	0.10[.004]	06047	2-192047-4	
[.012][.09]	A	12	1.6[.062]	3-2	8	0.10[.004]	06069	2-192047-3	
[.012][.09]	A	12	1.6[.062]	UNPL	8	0.10[.004]	06008	2-192047-2	
SUPERSEDED BY 193810-2									
SUPERSEDED BY 193810-1									
[.014][.09]	A	12	1.6[.062]	6-2	7	0.10[.004]	06063	1-192047-9	
[.014][.09]	A	12	1.6[.062]	3-2	7	0.10[.004]	06068	1-192047-8	OBSOLETE $\triangle 18$
[.014][.09]	A	12	1.6[.062]	UNPL	7	0.10[.004]	06067	1-192047-7	OBSOLETE $\triangle 18$
SUPERSEDED BY 1-192047-7									
[.012][.09]	A	12	1.6[.062]	UNPL	8	0.08[.003]	06007	1-192047-5	OBSOLETE $\triangle 18$
[.012][.06]	A	12	1.0[.040]	3-2	6	0.10[.004]	06014	1-192047-4	
[.012][.06]	A	12	1.0[.040]	UNPL	6	0.10[.004]	06026	1-192047-3	OBSOLETE $\triangle 18$
[.012][.06]	A	12	0.6[.025]	3-2	4	0.10[.004]	06013	1-192047-2	OBSOLETE $\triangle 18$
[.012][.06]	A	12	0.6[.025]	UNPL	4	0.10[.004]	06025	1-192047-1	OBSOLETE $\triangle 18$
[.013][.06]	A	12	0.6[.025]	3-2	4	0.08[.003]	06027	1-192047-0	
[.013][.06]	A	12	0.6[.025]	UNPL	4	0.08[.003]	06024	1-192047-9	
[.023]	--	C	--	1-2	73	0.10[.004]	06061	1-192047-8	OBSOLETE $\triangle 18$
[.025]	--	C	--	1-2	23	0.10[.004]	06078	1-192047-7	
[.014]	--	C	--	UNPL	$\triangle 13$	0.10[.004]	06048	1-192047-6	
[.014]	--	C	--	UNPL	$\triangle 13$	0.10[.004]	06012	1-192047-5	
SUPERSEDED BY 192047-4									
SUPERSEDED BY 192047-3									
SUPERSEDED BY 192047-2									
SUPERSEDED BY 192047-1									



STYLE A
(FEMALE)



STYLE C
(STRIP)

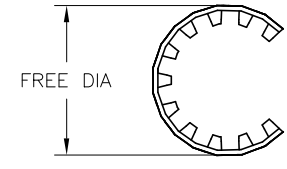
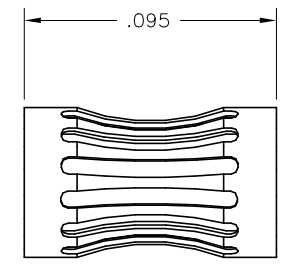
- 1 FINISH-SILVER PLATE 200 μ IN THICK MIN.
- 2 FINISH-NICKEL PLATE 40 μ IN THICK MIN.
- 3 FINISH-GOLD PLATE 10 μ IN THICK MIN.
- 4 FINISH-GOLD PLATE 50 μ IN THICK MIN.
- 5 FINISH-TIN PLATE 300 μ IN THICK MIN.
- 6 FINISH-GOLD PLATE 20 μ IN THICK MIN.
- 7 FINISH-NICKEL PLATE 50 μ IN THICK MIN.
- 8 NOT USED.
- 9 NOT USED.
- 10 NOT USED.
- 11 PLATING NOTES ARE TO BE INTERPRETED AS FOLLOWS FOLLOWS, 3-2 AS 3 OVER 2.
- 12 MATERIAL-CDA172, BeCu.
- $\triangle 13$ PRODUCT IS SOLD BY THE FOOT.
- $\triangle 14$ PRELIMINARY PART NUMBER.

THIS DRAWING IS A CONTROLLED DOCUMENT.		DWN RA JAYNE 06-11-92	TE Connectivity Ltd.	
		CHK RA JAYNE 06-11-92		
DIMENSIONS: INCHES		APVD	NAME	
TOLERANCES UNLESS OTHERWISE SPECIFIED:		PRODUCT SPEC		
0 PLC \pm - 1 PLC \pm - 2 PLC \pm 0.5 3 PLC \pm 0.25 4 PLC \pm - ANGLES \pm -		APPLICATION SPEC		
MATERIAL SEE TABLE	FINISH SEE TABLE	WEIGHT	SIZE A2	CAGE CODE 00779
		DRAWING NO C-192047		RESTRICTED TO
		CUSTOMER DRAWING		SCALE 20:1 SHEET 1 OF 2 REV P

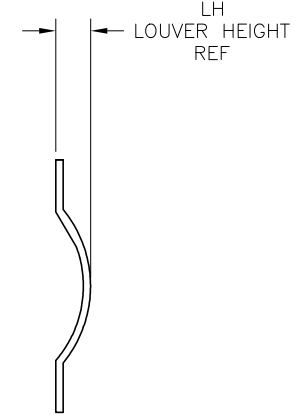
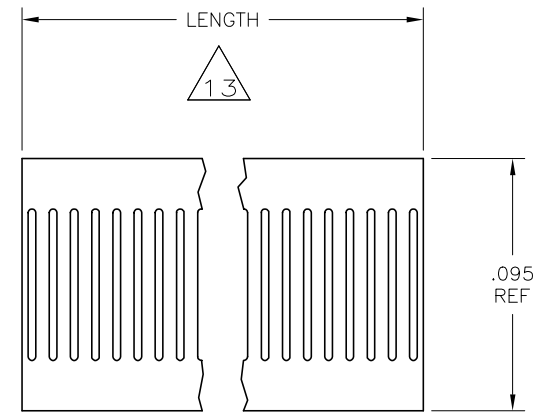
THIS DRAWING IS UNPUBLISHED. RELEASED FOR PUBLICATION
 © COPYRIGHT - By - ALL RIGHTS RESERVED.

REVISIONS				
P	LTR	DESCRIPTION	DATE	APVD
-	-	SEE SHEET 1	-	-

[.012]	[.33]	A	12	6.5[.256]	1-2	29	0.10[.004]	--	9-192047-0	OBSOLETE	
[.012]	[.33]	A	12	6.5[.256]	3-2	29	0.10[.004]	--	8-192047-9	OBSOLETE	
[.012]	[.13]	A	12	2.54[.100]	17-2	12	0.10[.004]	--	8-192047-8	¹⁵	
[.014]	[.38]	A	12	7.9[.313]	3-2	35	0.10[.004]	--	8-192047-7	¹⁵	
[.012]	[.06]	A	12	1.0[.040]	5-2	6	0.10[.004]	--	8-192047-6	¹⁵	
[.023]	--	C	12	--	2	35	0.10[.004]	--	8-192047-5	¹⁵	
[.023]	--	C	12	--	2	--	0.10[.004]	--	8-192047-4	¹⁵	
[.012]	[.33]	A	12	6.5[.256]	6-2	29	0.10[.004]	--	8-192047-3	¹⁵	
[.012]	[.57]	A	12	11.9[.471]	6-2	55	0.10[.004]	--	8-192047-2	¹⁵	
[.014]	[.09]	A	12	1.57[.062]	UNPL	6	0.10[.004]	--	8-192047-1	¹⁵	
[.014]	[.09]	A	12	1.57[.062]	3-2	6	0.10[.004]	--	8-192047-0	¹⁵	
[.025]	--	C	12	--	UNPL	23	0.10[.004]	--	7-192047-9	¹⁵	
[.012]	[.43]	A	12	10.1[.400]	UNPL	45	0.10[.004]	--	7-192047-8	¹⁵	
[.012]	[.40]	A	12	8.7[.342]	UNPL	39	0.10[.004]	--	7-192047-7	¹⁵	
[.012]	[.36]	A	12	7.2[.284]	UNPL	32	0.10[.004]	--	7-192047-6	¹⁵	
[.012]	[.29]	A	12	6.5[.256]	UNPL	29	0.10[.004]	--	7-192047-5	¹⁵	
[.012]	[.28]	A	12	6.1[.241]	UNPL	28	0.10[.004]	--	7-192047-4	¹⁵	
[.012]	[.26]	A	12	5.7[.226]	UNPL	26	0.10[.004]	--	7-192047-3	¹⁵	
[.012]	[.25]	A	12	5.3[.210]	UNPL	24	0.10[.004]	--	7-192047-2	¹⁵	
[.012]	[.23]	A	12	4.8[.188]	UNPL	22	0.10[.004]	--	7-192047-1	¹⁵	
[.012]	[.20]	A	12	4.3[.168]	UNPL	19	0.10[.004]	--	7-192047-0	¹⁵	
[.023]	--	C	12	--	UNPL	--	0.10[.004]	--	6-192047-9	¹⁵	
[.012]	[.06]	A	12	1.0[.040]	4-7	6	0.10[.004]	--	6-192047-8	¹⁵	
NO DATA									6-192047-7	¹⁵	
NO DATA									6-192047-6	¹⁵	
NO DATA									6-192047-5	¹⁵	
NO DATA									6-192047-4	¹⁵	
[.012]	[.43]	A	12	1.0[.040]	4-2	45	0.10[.004]	06085	6-192047-3	¹⁵	
								06800	6-192047-2	¹⁵	
SUPERSEDED BY 193811-1									06801	6-192047-1	SUPERSEDED
SUPERSEDED BY 192047-7									06078	6-192047-0	SUPERSEDED
NO DATA								06054	5-192047-9	¹⁵	
NO DATA								06053	5-192047-8	¹⁵	
[.012]	[.52]	A	12	12.7[.500]	UNPL	55	0.10[.004]	06057	5-192047-7	¹⁵	
[.012]	[.43]	A	12	10.1[.400]	3-2	45	0.10[.004]	06020	5-192047-6	¹⁵	
[.012]	[.40]	A	12	8.7[.342]	3-2	39	0.10[.004]	06019	5-192047-5	¹⁵	
[.012]	[.36]	A	12	7.2[.284]	3-2	32	0.10[.004]	06018	5-192047-4	¹⁵	
[.012]	[.35]	A	12	6.9[.272]	6-2	31	0.10[.004]	06046	5-192047-3	¹⁵	
[.012]	[.35]	A	12	6.9[.272]	UNPL	31	0.10[.004]	06077	5-192047-2	¹⁵	
[.012]	[.33]	A	12	6.5[.256]	4-2	29	0.10[.004]	06040	5-192047-1	¹⁵	
LH	FREE DIA (REF)	STYLE	MAT'L (NOTE)	MATING PIN φ REF	PLATING	NUM LOUV	MATL THK	REF	PART NUMBER		



STYLE A
(FEMALE)



STYLE C
(STRIP)

- ¹⁵ CUT TO LENGTH OF 25mm.
- ¹⁶ OBSOLETE PART NUMBER.
- 17 FINISH: GOLD PLATE 30 MIN THICK MIN.
- ¹⁸ OBSOLETE PARTS: OBSOLETE CIS STREAMLINING PER D.RENAUD/D.SINISI

THIS DRAWING IS A CONTROLLED DOCUMENT.		DWN RA JAYNE 06-11-92	TE Connectivity Ltd.	
DIMENSIONS: INCHES		CHK RA JAYNE 06-11-92		
TOLERANCES UNLESS OTHERWISE SPECIFIED:		APVD -	NAME CONTACT BAND,FEMALE	
0 PLC ± -		PRODUCT SPEC -	SIZE CAGE CODE DRAWING NO	
1 PLC ± -		APPLICATION SPEC -	RESTRICTED TO	
2 PLC ± .02		WEIGHT	A2 00779 C-192047	
3 PLC ± .010		CUSTOMER DRAWING	SCALE 20:1 SHEET 2 OF 2 REV P	
4 PLC ± -				
ANGLES ± -				
MATERIAL SEE TABLE	FINISH SEE TABLE			