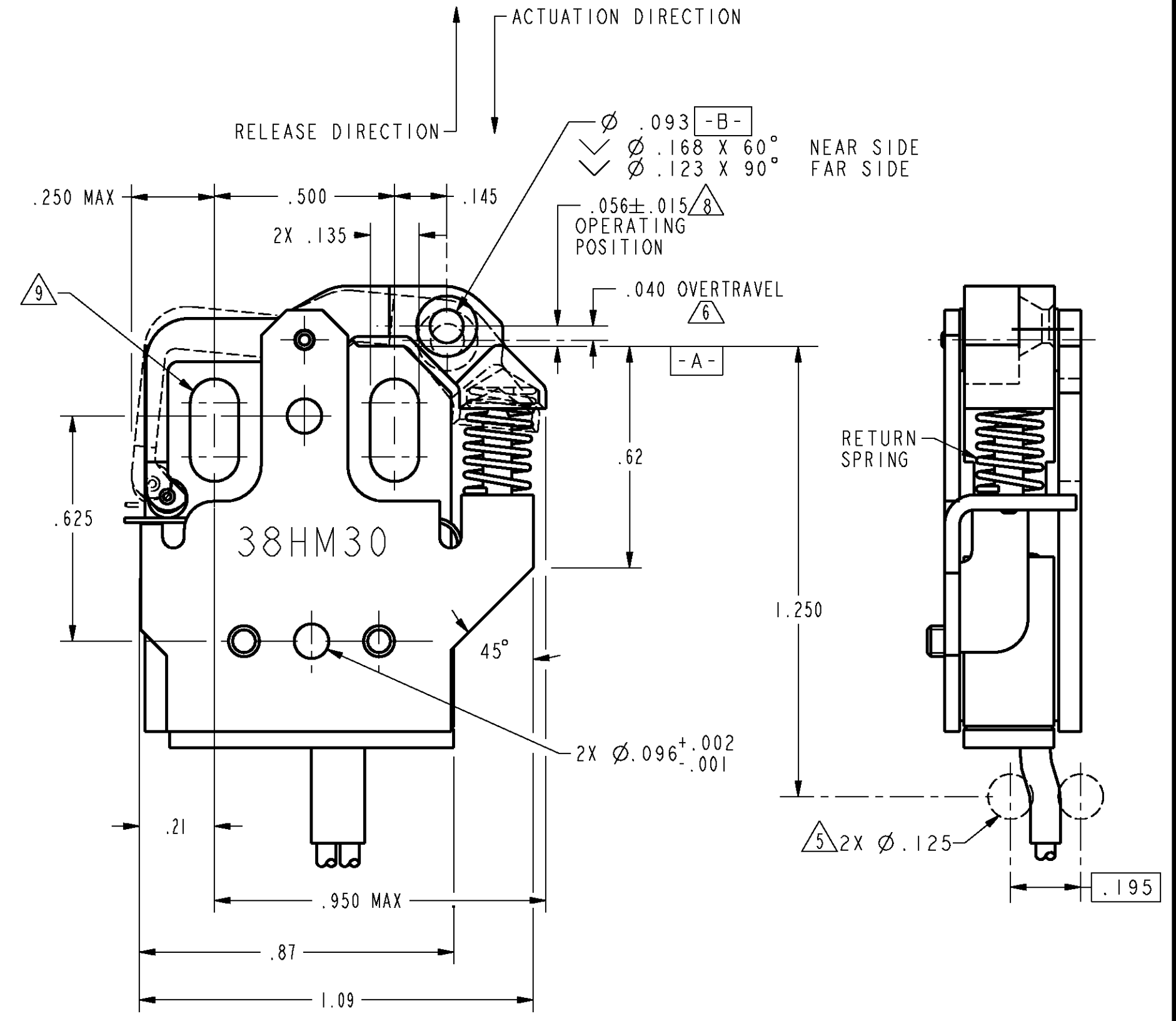
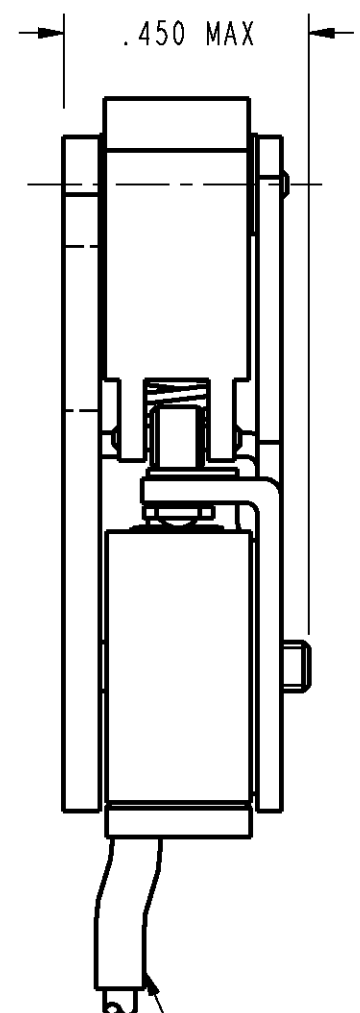
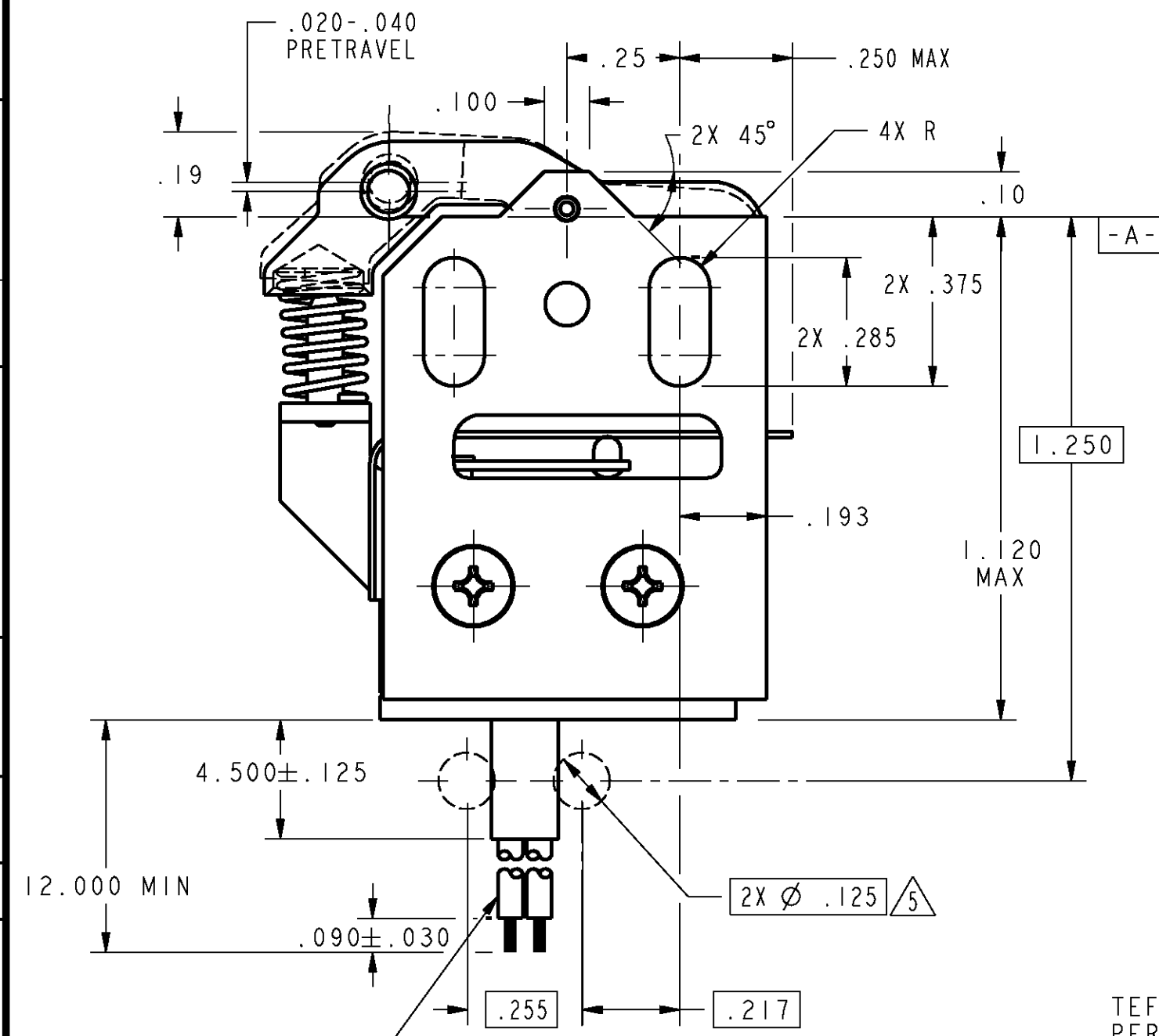
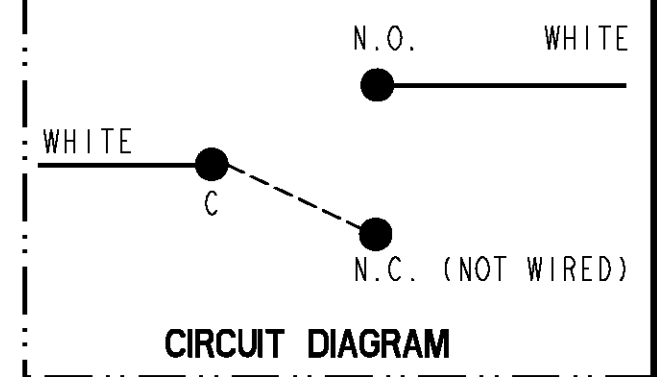
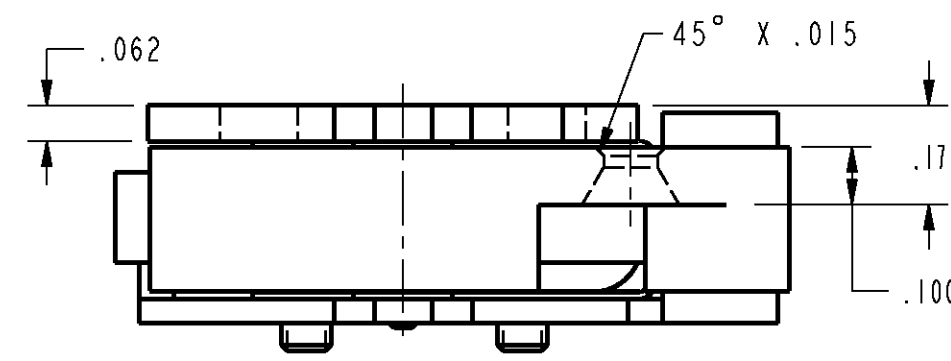


M

38HM30

NOTES

- 1 - ASSEMBLY INCLUDES "120HM" TYPE BASIC SWITCH
- 2 - SWITCH IS HERMETICALLY SEALED (METAL-TO-METAL, GLASS-TO-METAL) PER MIL-S-8805
- 3 - FOR USE IN TEMPERATURE RANGE -85° F TO +500° F
- 4 - ALL EXPOSED PARTS ARE OF CORROSION RESISTANT MATERIALS
- 5 GAGE PINS FOR LEAD PLACEMENT
- 6 RECOMMEND USE OF .015-.040 OVERTRAVEL
- 7 - MECHANICAL AND ELECTRICAL LIFE: 100,000 OPERATIONS
- 8 OPERATING POSITION MEASURED AT [-B-] SHALL NOT VARY MORE THAN ±.008 DURING LIFE OF THE SWITCH
- 9 NO INTERFERENCE ALLOWED WITH NAS1382 SIZE .112-40 SOCKET HEAD CAP SCREWS (2 PLACES) IN ANY ADJUSTMENT POSITION THROUGHOUT FULL RANGE OF SWITCH TRAVEL



TEFLON (PTFE) TUBING PER AMS 3655-11 OVER WIRE LEADS

2X NO. 22 WIRE LEAD PER MIL-W-22759/12-22 MARKED WITH CIRCUIT IDENTIFICATION AND WIRE GAGE (C-22, NO-22) PER MIL-W-5088

38HM30	ISSUE	16	REVISIONS	A	CD95203	TSM	20DEC99	SAV	20DEC99
16	16	16	16	16	16	16	16	16	16

CHARACTERISTICS	ELECTRICAL DATA
OPERATING FORCE ----- 30 OZ MAX	CONTACT ARRANGEMENT S P N O
RELEASE FORCE ----- 12 OZ MIN	28 VOLTS DC RATING
DIFFERENTIAL TRAVEL ---- .020 MAX	INDUCTIVE --- SEA LEVEL --- 0.1 AMP
OVERTRAVEL ----- .040 MIN	70,000 FT --- 0.1 AMP
	RESISTIVE --- SEA LEVEL --- 0.1 AMP
	70,000 FT --- 0.1 AMP

THIS DRAWING COVERS A PROPRIETARY ITEM AND IS THE PROPERTY OF MICRO SWITCH, A DIVISION OF HONEYWELL. THIS DRAWING IS NOT TO BE COPIED OR USED WITHOUT THE APPROVAL OF MICRO SWITCH.

<b>MICRO SWITCH</b> a Honeywell Division	<b>SWITCH - ASSEMBLY</b>	CATALOG LISTING <b>38HM30</b>
---	--------------------------	----------------------------------

FED. MFG. CODE 91929

THIRD ANGLE PROJECTION

SCALE 3 : 1

DO NOT SCALE PRINT

UNLESS OTHERWISE SPECIFIED TOLERANCES ARE

ONE PLACE	(.0)	±.030
TWO PLACES	(.00)	±.015
THREE PLACES	(.000)	±.005
ANGLES		± 3°

WEIGHT 30 GRAMS MAX

ANSI Y14.5M-1982 APPLIES