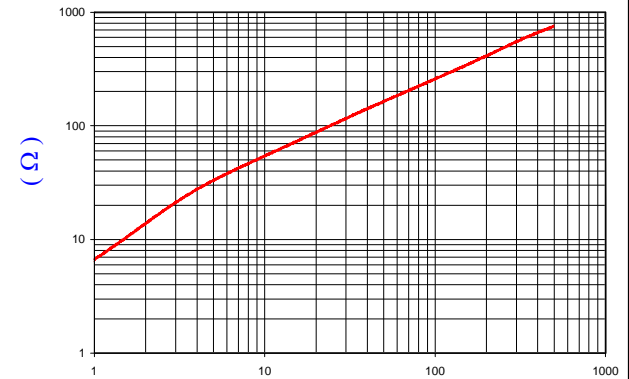


RoHS

IMPEDANCE (Z)			
Frequency	25 MHz	100 MHz	300 MHz
Nominal (REF)	100 Ω	250 Ω	550 Ω
Minimum	- Ω	200 Ω	- Ω

Z vs. FREQUENCY
(REF. ONLY)



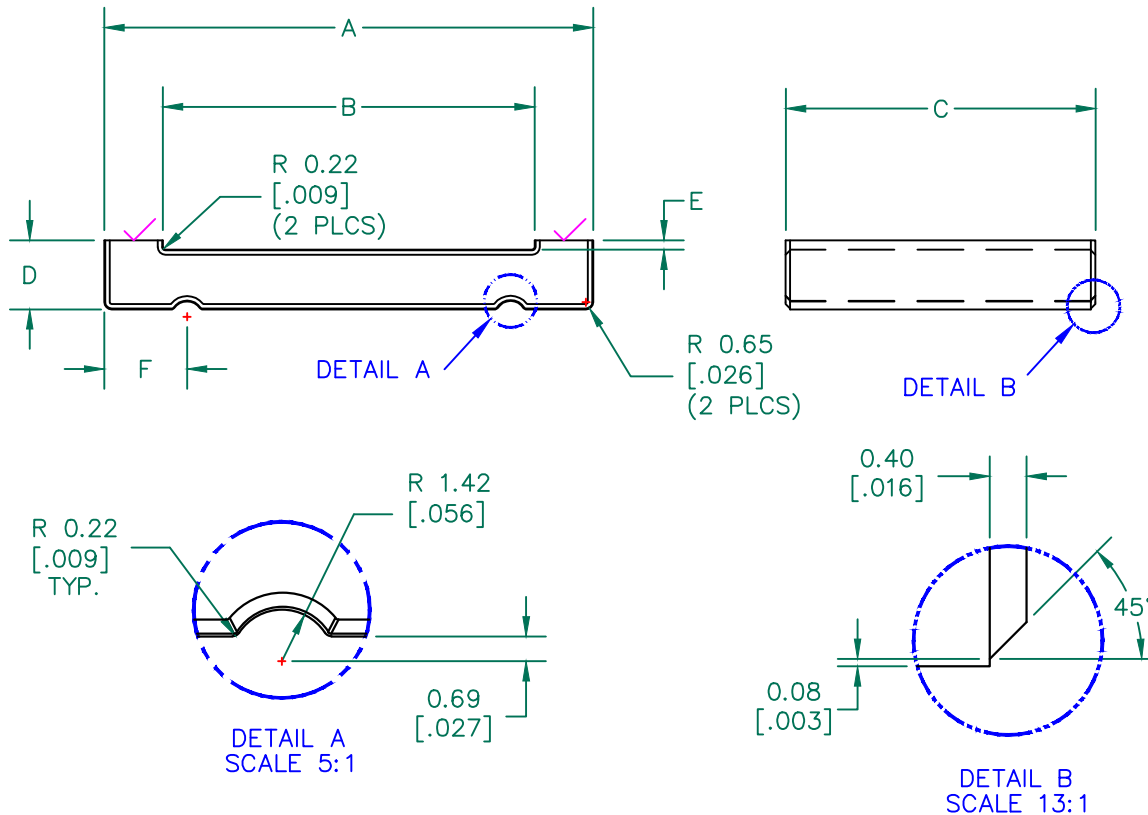
FREQUENCY (MHz)

AGILENT E4991A Impedance/Material Analyzer
HP 16092A-Test Fixture

FERRITE CORE DIMENSIONS (SPEC): mm [in]

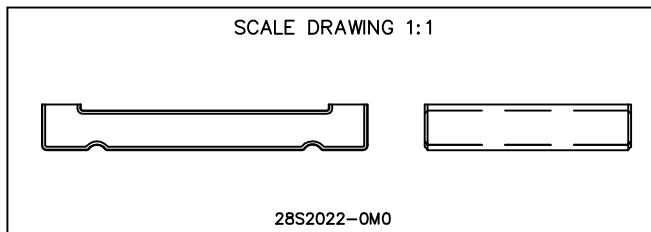
A	45.09 [1.775]	+	0.89 [.035]
B	34.42 [1.355]	+	0.64 [.025]
C	28.58 [1.125]	+	0.64 [.025]
D	6.35 [.250]	+	0.25 [.010]
E	0.84 [.033]	+	0.25 [.010]
F	7.62 [.300]	+	REF.

WEIGHT/1000 35.92 kgs. 79.18 Lbs.



NOTES: UNLESS OTHERWISE SPECIFIED

- COSMETIC SPECIFICATION REFER TO WI-QA-038.
- ADD METAL CLIPS FOR SHIPPING P/N ASSE017-2.



DIMENSIONS ARE IN mm[INCHES].				This print is the property of Laird Tech. and is loaned in confidence subject to return upon request and with the understanding that no copies shall be made without the written consent of Laird Tech. All rights to design or invention are reserved.					
REV	DESCRIPTION	DATE	INT						
G	UPDATE COMPANY LOGO	01/08/13	QIU	PROJECT/PART NUMBER: 28S2022-0M0		REV G	DRAWN BY: JBE		
F	UPDATE FORMAT & Z SPECS ADD CURVE, ADD METAL CLIP NOTE	07/07/03	JRK						
E	UPDATE PRINT FOR DATABASE, REMOVED NOTES, CHANGED TOLS ON F TO REF.	05/22/01	JRK						
D	UPDATED P/N FOR NEW CATALOG	09/27/95	JBE						
C	UPDATED IMPEDANCE SPECS	05/22/95	JBE						
B	STANDARD FORMAT	12/01/95	JBE						
A	ORIGINAL DRAFT	12/15/94	JBE						
DATE:	12/15/94	SCALE:	1.5 : 1					MATERIAL: FERRITE	
CAD #	28S2022-0M0-G	TOOL #	S2022						